

PARTS CATALOG

MITSUBISHI MEIKI
AIR-COOLED
GASOLINE ENGINE

MODEL GM401PN-GNK

NOV., 2009

MITSUBISHI HEAVY INDUSTRIES, LTD.

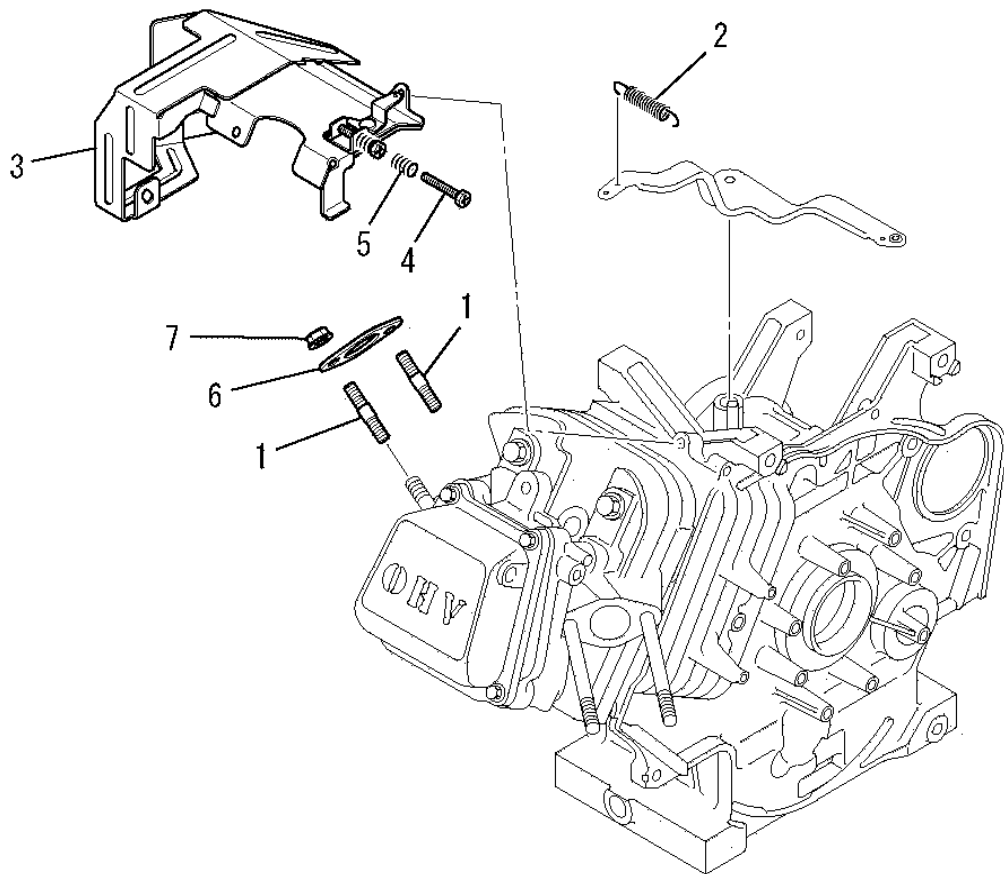
INDEX

Page No.	No.	Parts No.	Page No.	No.	Parts No.
1	1	B155B08X020	9	2	B805B06X012
1	2	KG34017GA	9	3	KW33003AA
1	3	KH40051AA	10	1	FR67347A
1	4	KU14032AA	10	2	KB67001AA
1	5	KU80017AA	10	3	KD51005AA
1	6	KM70032AB	10	4	KG01008CA
1	7	ZZ70028C	10	5	KG14005AA
2	1	KE90069AA	10	6	KG22004AA
2	2	KE41005AA	10	7	KL21010EA
2	3	KE42030AA	10	8	KW29006AA
3	1	KW52271CA	10	9	KW11006AA
4	1	KN12004EA	10	10	KW29002AA
4	2	KN13001AA	10	11	S111X62X030
5	1	KW39068BA	10	12	B800B08X030
5	2	KC68001AA	11	13	FA28247
5	3	KW33003AA	11	14	KU14031AA
5	4	KW31010AA	11	15	KU44001AA
5	5	KW34055AA	11	16	KW31010AA
5	6	KW34052AA	12	1	KD02058GA
5	7	KM70032AB	12	2	KD63042AA
6	1	KB47001CA	12	3	KD90012AA
6	2	KW11006AA	12	4	W430B05X016
6	3	KW29002AA	12	5	KV01210AA
6	4	S111X62X030	12	6	KV83009FA
6	5	ZZ70013A	12	7	S500P03
6	6	FN11223	13	1	KP90001AA
7	1	KC02033AA	13	2	KD03012AA
7	2	FR46870	13	2	KD03012BA
7	3	KU44001AA	13	2	KD03012CA
7	4	KV25001AA	13	3	KD70001AA
7	5	KV37002AA	13	4	KP18003AA
7	6	KV45007AA	13	4	KP18003BA
7	7	KV56001AA	13	4	KP18003CA
7	8	KV68002AA	13	5	KP58003AA
7	9	KV71007AA	13	6	KP02012AA
7	10	KV72004AA	13	6	KP02012BA
7	11	KV72018AA	13	6	KP02012CA
7	12	KV72006AA	14	1	KE12018AA
8	13	KV73003AA	14	2	KE25004BA
8	14	KV75007AA	14	3	KE90128AA
8	15	KW21019AA	14	4	KE90129AA
8	16	S510P12	14	5	KU70007AA
8	17	B800B06X020	14	6	FA29015
8	18	B800B10X065	14	7	KU12020AA
8	19	KC68001AA	14	8	KU14036AA
9	1	KC09004AA	15	1	KA11019AA

INDEX

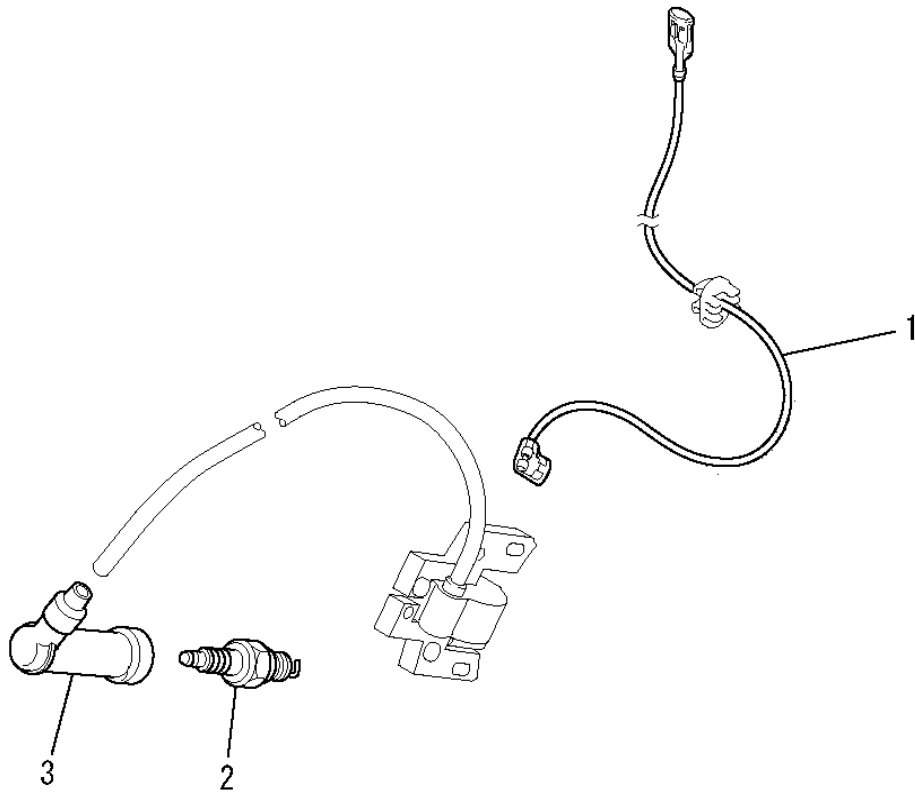
Page No.	No.	Parts No.	Page No.	No.	Parts No.
15	2	KA11019AA003	19	33	KW34052AA
15	3	KA90144AA	20	1	KG22009AA
15	4	KA20045AA	20	2	KG31017AA
15	5	FA24115	20	3	KG41017AA
15	6	KA30016AA	20	4	KG42013AA
15	7	KA40059AA	20	5	KG90016AA
15	8	KA90115AA	20	6	KU70006AA
15	9	KA90121BA	20	7	B805B06X012
15	10	ZZ70002S	20	8	KG90015AA
15	11	B155B06X095	20	9	KU24002AA
15	12	B800A06X008	21	1	KH28009AA
16	13	B805B06X016	21	2	B805B06X012
16	14	N801A06	22	1	KH40020AA
16	15	KW34055AA	22	2	B805B06X012
17	1	KK16009AB	23	1	KS02056AD
17	2	KK16009AA002	23	2	KS20061AD001
17	3	KK16009AA003	23	3	KS20060AD002
17	4	KK15001AA026	23	4	KS20060AD003
17	5	KK16009AA005	23	5	KS20060AD004
17	6	KK15016AA005	23	6	KS20061AD005
17	7	KK16009AA007	23	7	KS20060AD006
17	8	KK13003AA008	23	8	KS20020AD007
17	9	KK15003DG008	23	9	KS20020AD008
17	10	KK16009AA011	23	10	KS20035AD013
17	11	KK16009AA012	23	11	KS20060AD014
17	12	KK12008AE016	23	12	KS30037AA
18	13	KK15003AE014	24	13	B800A06X008
18	14	KK15003AE015	25	1	FA41303
18	15	KK74524BA027	25	2	KE09021AA
18	16	KK74525BA050	25	3	KE90102BA
18	17	FA27080XX013	25	4	B805B06X012
18	18	KK16009AA019	25	5	ZZ70028C
18	19	KK16009AB020	25	6	KW39066AA
18	20	KK16009AA021			
18	21	KK16009AA022			
18	22	KK13002AA017			
18	23	KK13002AA028			
18	24	KK15001AA014			
19	25	KK15005DA025			
19	26	KK13003AA008			
19	27	KK15001AA018			
19	28	KK15001AA016			
19	29	KK12008AE011			
19	30	KK16009AA030			
19	31	KK15001AA015			
19	32	KK34001BA			

1. BOLT, SPRING, COVER



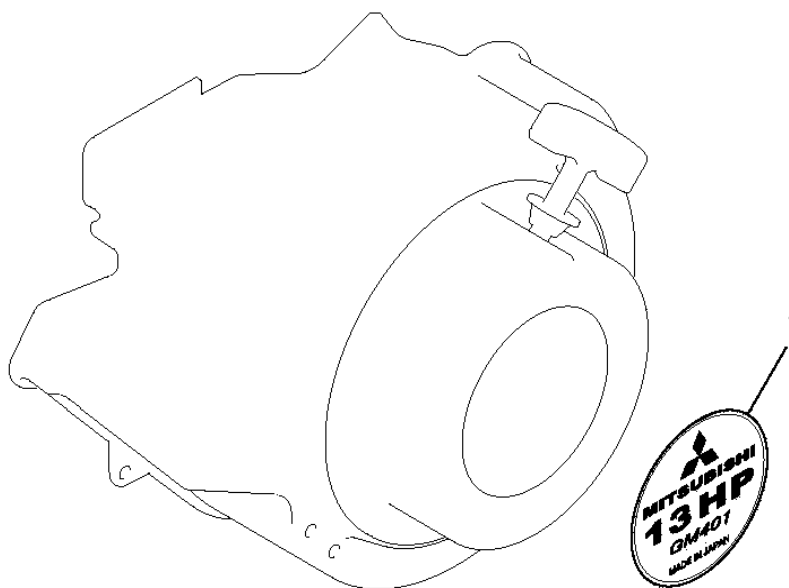
No.	R/N	Parts No.	Parts Name	No.Req'd	Inte	Remarks	Serial No.(From~To)
1		B155B08X020	BOLT,STUD	2			
2		KG34017GA	SPRING,GOV	1			
3		KH40051AA	COVER, TOP	1		INCL.NO.4,5	
4		KU14032AA	BOLT	1			
5		KU80017AA	SPRING	1			
6		KM70032AB	GASKET, MUFFLER	1			
7		ZZ70028C	NUT, CONICAL SPG	2			

2.LEAD WIRE, PLUG, CAP



No.	R/N	Parts No.	Parts Name	No.Req'd	Inte	Remarks	Serial No.(From~To)
1		KE90069AA	WIRE, LEAD	1			
2		KE41005AA	PLUG, SPARK	1		BPR5ES	
3		KE42030AA	CAP, PLUG	1			

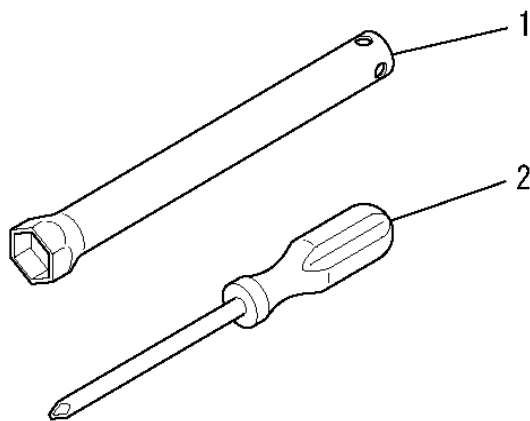
3. LABEL, FUEL HOSE



No.	R/N	Parts No.	Parts Name	No. Req'd	Inte	Remarks	Serial No. (From ~ To)
-----	-----	-----------	------------	-----------	------	---------	------------------------

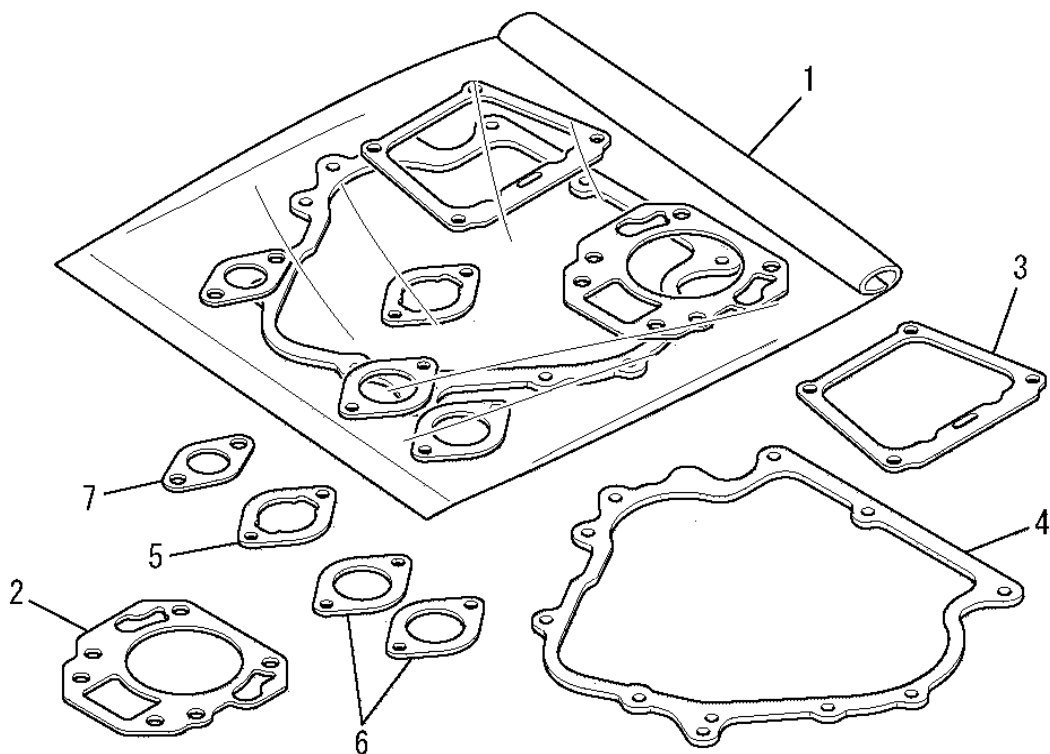
1		KW52271CA	LABEL, NAME	1			
---	--	-----------	-------------	---	--	--	--

4. TOOL SET



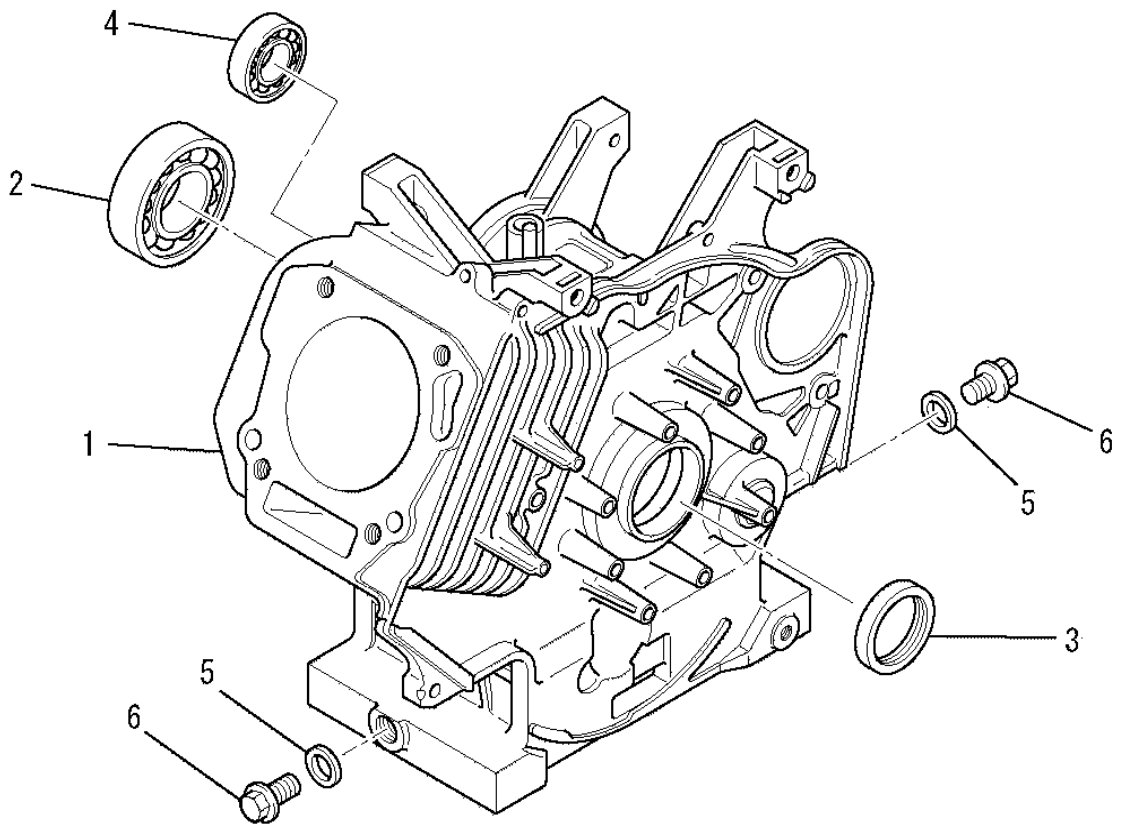
No.	R/N	Parts No.	Parts Name	No. Req'd	Inte	Remarks	Serial No. (From ~ To)
1		KN12004EA	SPANNER, BOX	1			
2		KN13001AA	DRIVER, SCREW	1			

5. GASKET SET



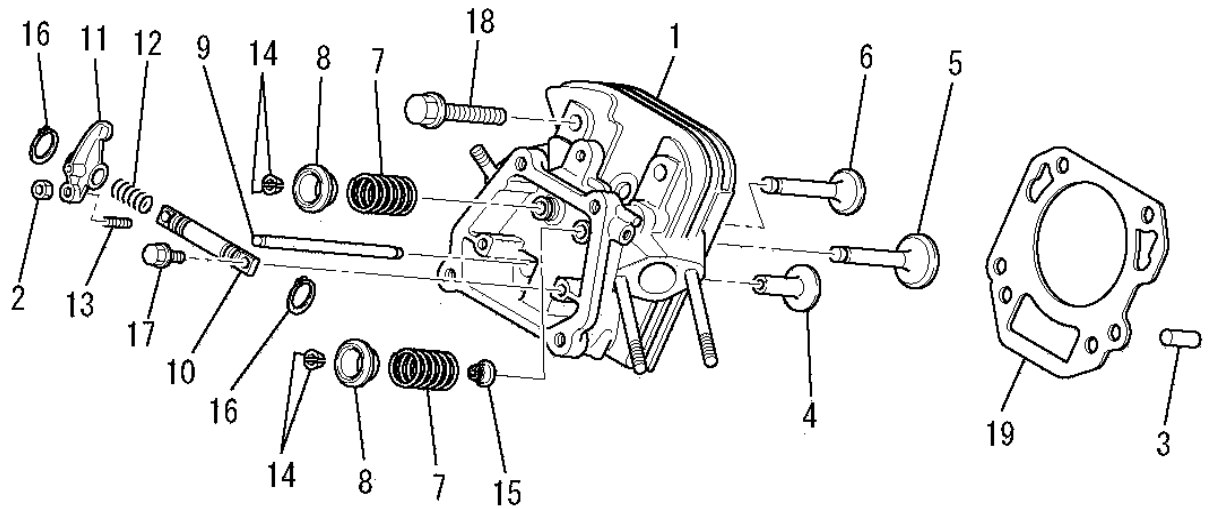
No.	R/N	Parts No.	Parts Name	No. Req'd	Inte	Remarks	Serial No. (From ~ To)
1		KW39068BA	GASKET SET	1		INCL. NO. 2-7	
2		KC68001AA	GASKET, HEAD	1			
3		KW33003AA	GASKET, HEAD COVER	1			
4		KW31010AA	GASKET, CRANKCASE	1			
5		KW34055AA	GASKET, CARBURETOR	1			
6		KW34052AA	GASKET, CARBURETOR	2			
7		KM70032AB	GASKET, MUFFLER	1			

(A) CYLINDER BLOCK GROUP



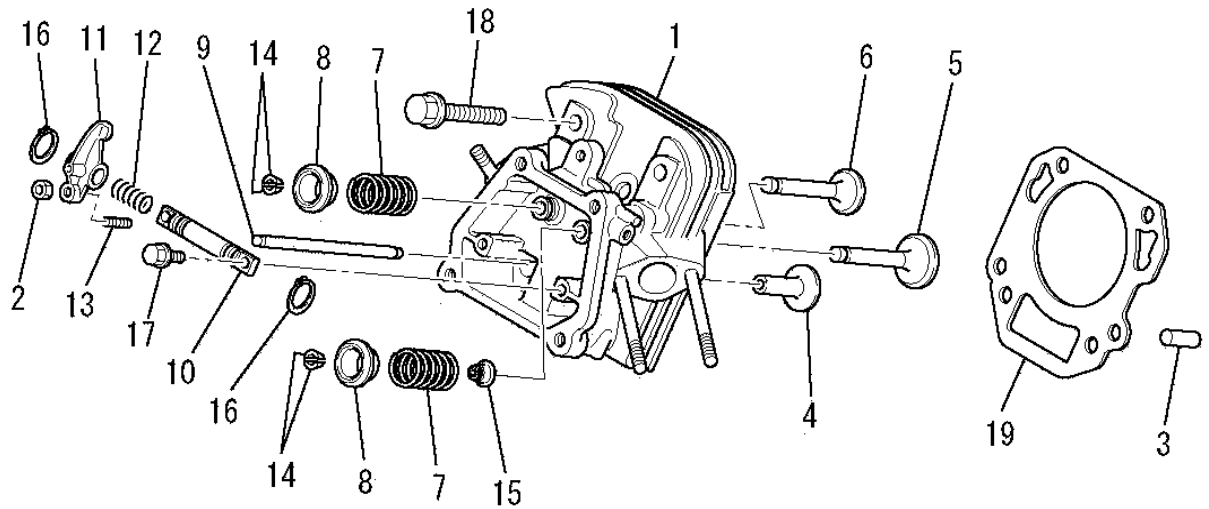
No.	R/N	Parts No.	Parts Name	No.Req'd	Inte	Remarks	Serial No.(From~To)
1		KB47001CA	CYLINDER BLOCK	1			
2		KW11006AA	BEARING,BALL	1			
3		KW29002AA	OIL SEAL	1			
4		S111X62X030	BEARING,BALL	1		#6203	
5		ZZ70013A	GASKET	2			
6		FN11223	PLUG,DRAIN	2			

(B) CYLINDER HEAD GROUP



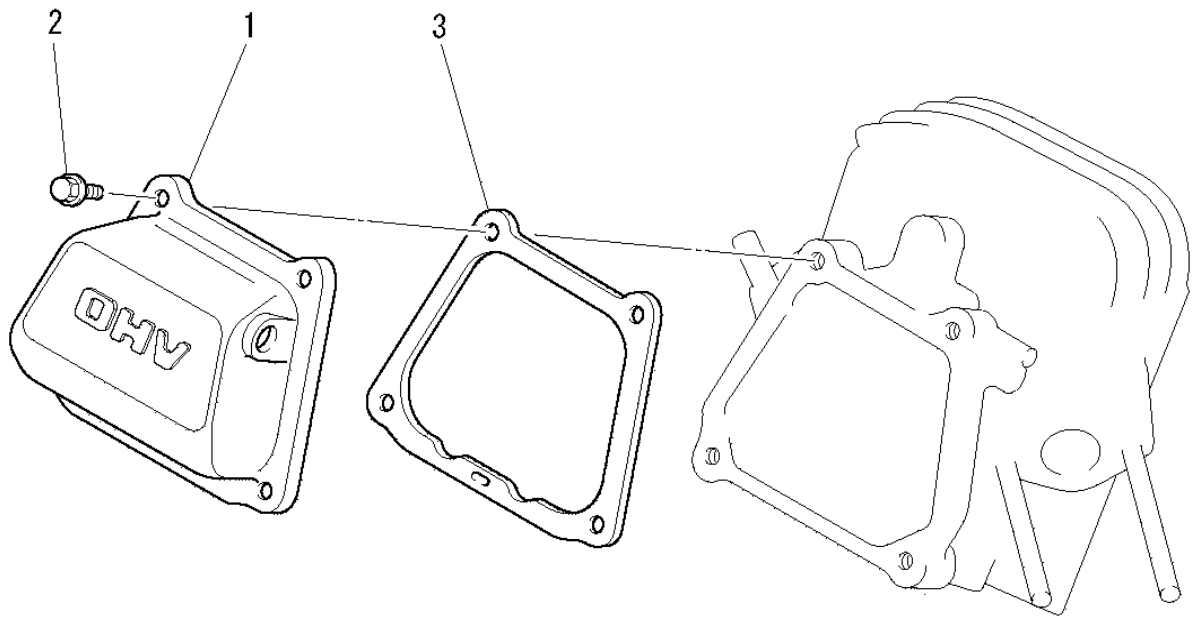
No.	R/N	Parts No.	Parts Name	No.Req'd	Inte	Remarks	Serial No.(From~To)
1		KC02033AA	CYLINDER HEAD ASSY	1		WITH B155B06X095	
2		FR46870	NUT	2			
3		KU44001AA	PIN,DOWEL	2			
4		KV25001AA	TAPPET	2			
5		KV37002AA	VALVE, INTAKE	1			
6		KV45007AA	VALVE, EXHAUST	1			
7		KV56001AA	SPRING, VALVE	2			
8		KV68002AA	RETAINER, VALVE SPG	2			
9		KV71007AA	ROD, PUSH	2			
10		KV72004AA	SHAFT,ROCKER ARM	1			
11		KV72018AA	ARM,ROCKER	2			
12		KV72006AA	SPRING,ROCKER SHAFT	1			

(B) CYLINDER HEAD GROUP



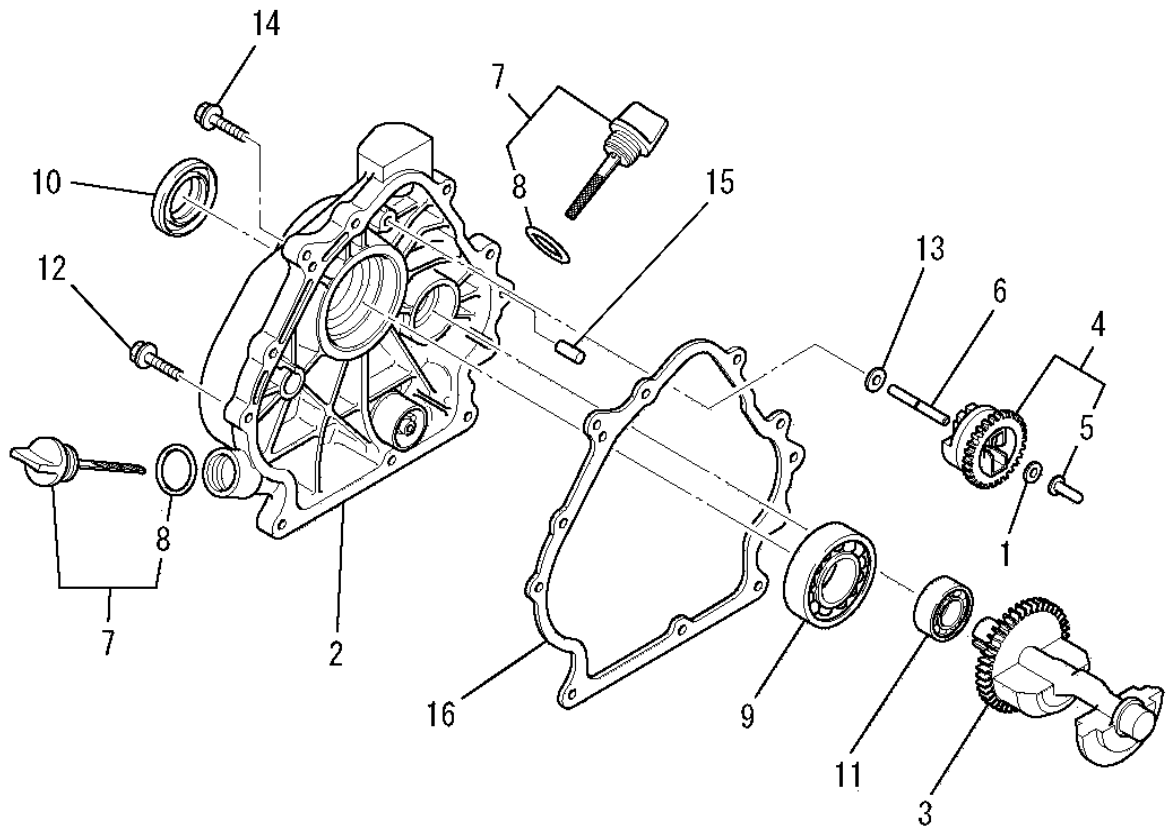
No.	R/N	Parts No.	Parts Name	No. Req'd	Inte	Remarks	Serial No. (From ~ To)
13		KV73003AA	SCREW, ADJUST	2			
14		KV75007AA	COTTER	4			
15		KW21019AA	SEAL, VALVE STEM	1			
16		S510P12	SNAP RING	2			
17		B800B06X020	BOLT, FLANGE	2			
18		B800B10X065	BOLT, FLANGE	4			
19		KC68001AA	GASKET, HEAD	1			

(C) HEAD COVER GROUP



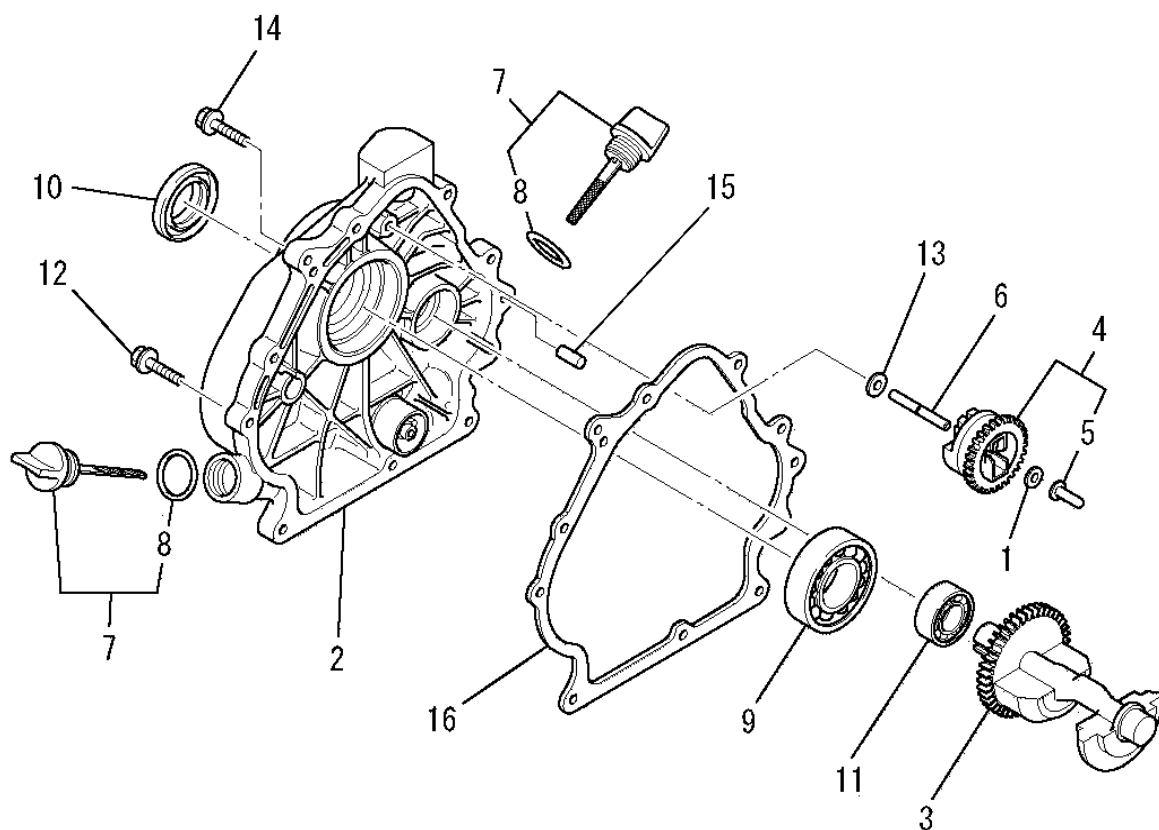
No.	R/N	Parts No.	Parts Name	No. Req'd	Inte	Remarks	Serial No. (From ~ To)
1		KC09004AA	COVER, HEAD	1			
2		B805B06X012	BOLT, FLANGE	4			
3		KW33003AA	GASKET, HEAD COVER	1			

(D) CASE COVER GROUP



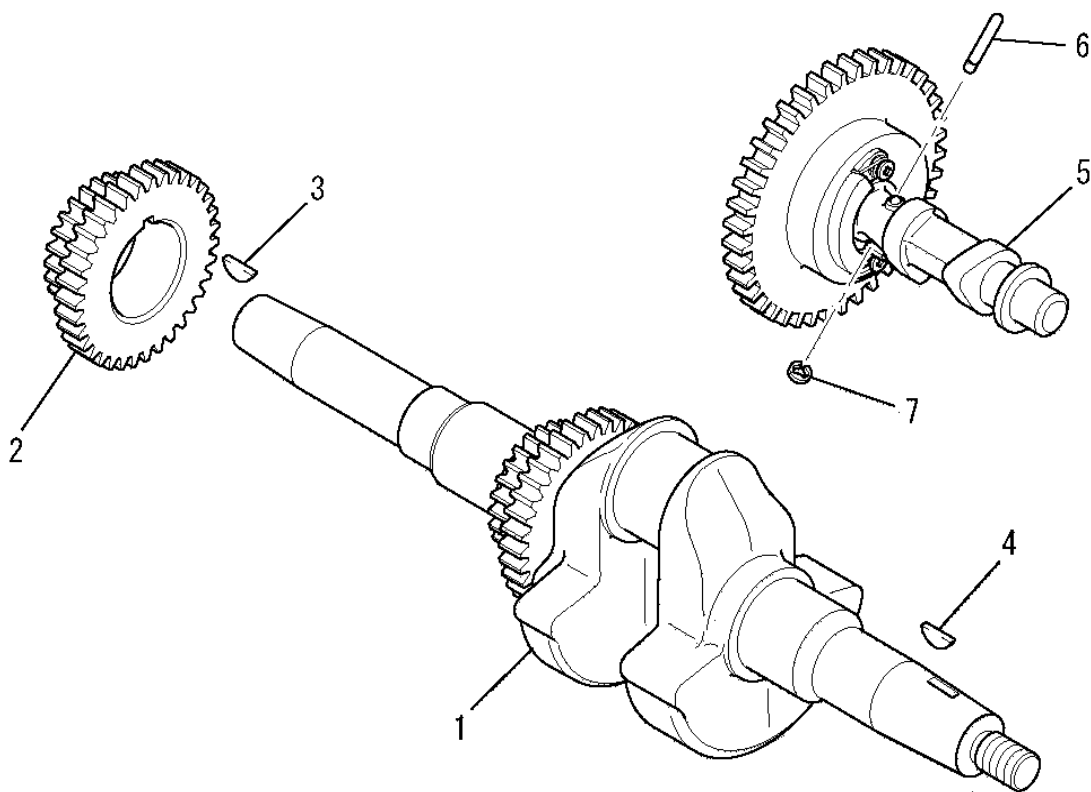
No.	R/N	Parts No.	Parts Name	No.Req'd	Inte	Remarks	Serial No.(From~To)
1		FR67347A	WASHER	1			
2		KB67001AA	COVER, CRANKCASE	1			
3		KD51005AA	SHAFT, BALANCER	1			
4		KG01008CA	GOVERNOR GEAR ASSY	1		INCL.NO.5	
5		KG14005AA	SLIDER, GOV	1			
6		KG22004AA	SHAFT, GOV	1			
7		KL21010EA	GAUGE, OIL	2		INCL.NO.8	
8		KW29006AA	O-RING	2			
9		KW11006AA	BEARING, BALL	1			
10		KW29002AA	OIL SEAL	1			
11		S111X62X030	BEARING, BALL	1		#6203	
12		B800B08X030	BOLT, FLANGE	8			

(D) CASE COVER GROUP



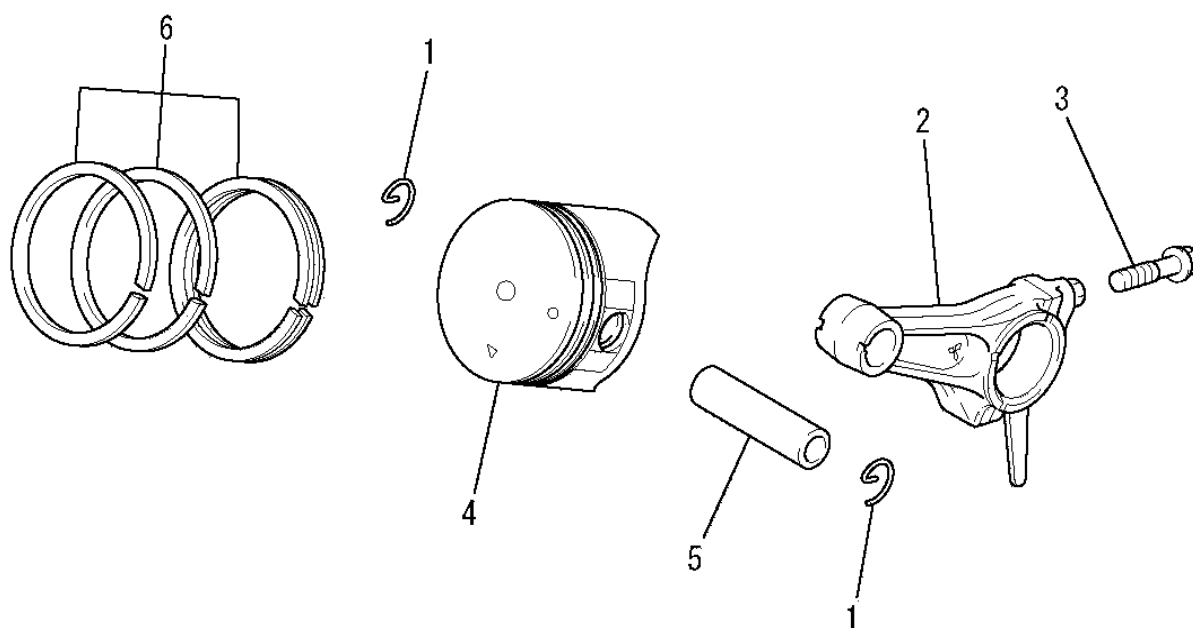
No.	R/N	Parts No.	Parts Name	No.Req'd	Inte	Remarks	Serial No.(From~To)
13		FA28247	SPACER	1			
14		KU14031AA	BOLT ,FLANGE	1			
15		KU44001AA	PIN ,DOWEL	2			
16		KW31010AA	GASKET ,CRANKCASE	1			

(E) CRANKSHAFT GROUP



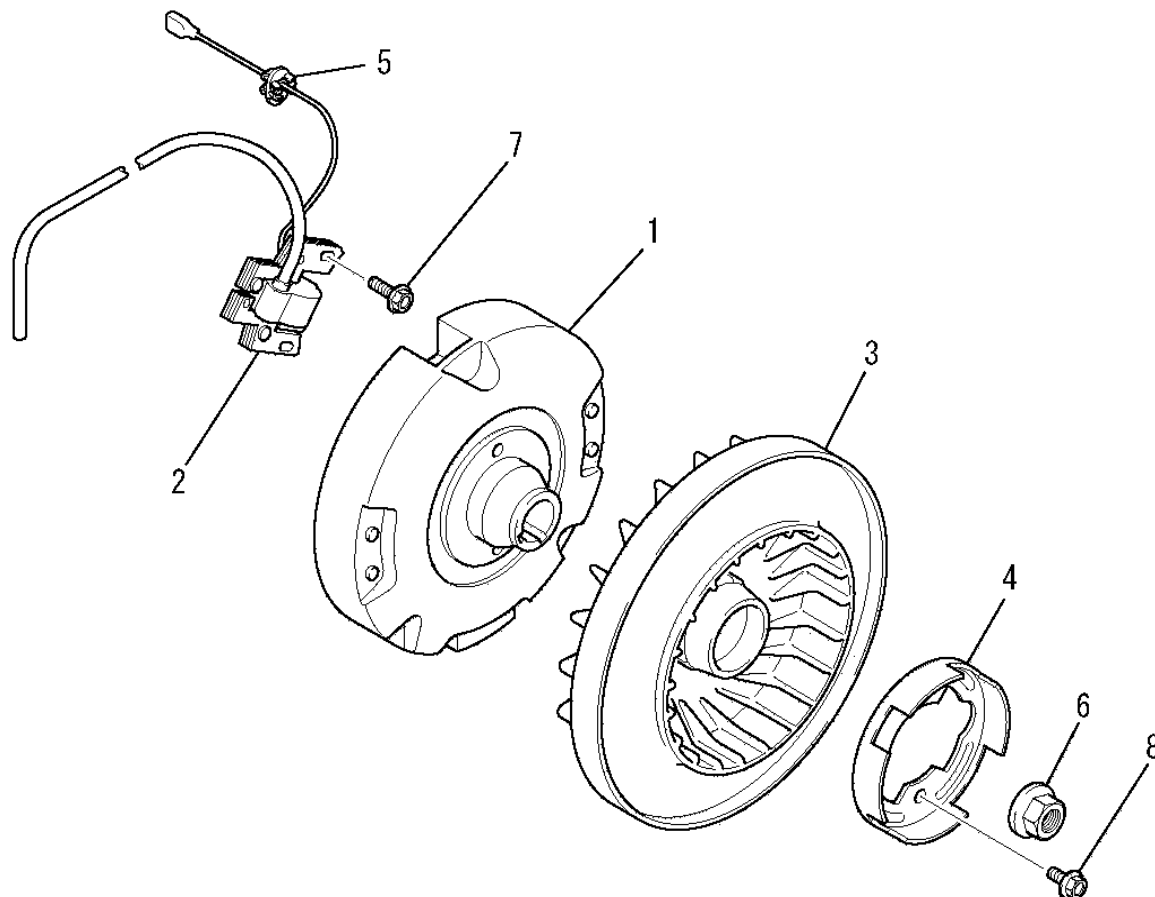
No.	R/N	Parts No.	Parts Name	No.Req'd	Inte	Remarks	Serial No.(From~To)
1		KD02058GA	CRANKSHAFT ASSY	1		INCL.NO.2,3	
2		KD63042AA	GEAR,CRANKSHAFT	1			
3		KD90012AA	KEY,WOODRUFF	1			
4		W430B05X016	KEY,WOODRUFF	1			
5		KV01210AA	CAMSHAFT ASSY	1		INCL.NO.6,7	
6		KV83009FA	PIN	1			
7		S500P03	SNAP RING	1			

(F) PISTON & ROD GROUP



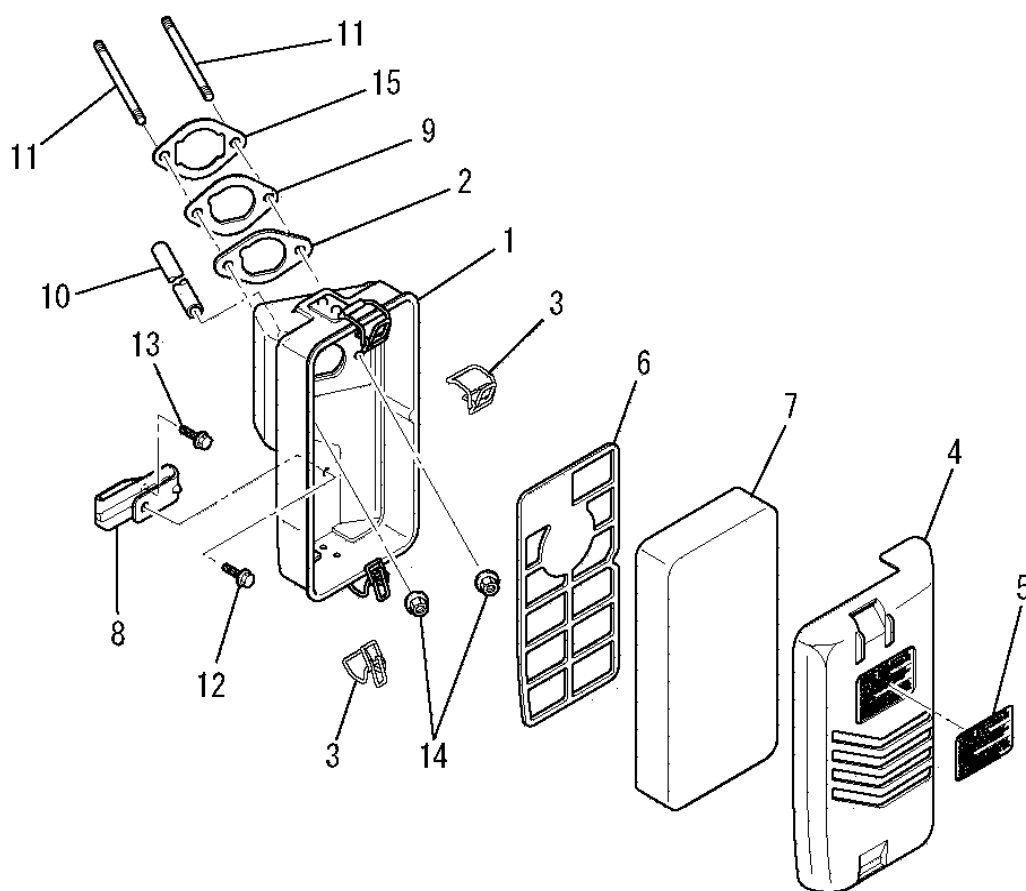
No.	R/N	Parts No.	Parts Name	No.Req'd	Inte	Remarks	Serial No.(From~To)
1		KP90001AA	CLIP,PISTON PIN	2			
2		KD03012AA	CONNECTING ROD ASSY	1		STD INCL.NO.3	
2	1	KD03012BA	CONNECTING ROD ASSY	1		US 0.25 INCL.NO.3	
2	2	KD03012CA	CONNECTING ROD ASSY	1		US 0.50 INCL.NO.3	
3		KD70001AA	BOLT	2			
4		KP18003AA	PISTON	1		STD	
4	1	KP18003BA	PISTON	1		OS 0.25	
4	2	KP18003CA	PISTON	1		OS 0.50	
5		KP58003AA	PIN,PISTON	1			
6		KP02012AA	PISTON RING SET	1		STD	
6	1	KP02012BA	PISTON RING SET	1		OS 0.25	
6	2	KP02012CA	PISTON RING SET	1		OS 0.50	

(G) MAGNETO GROUP



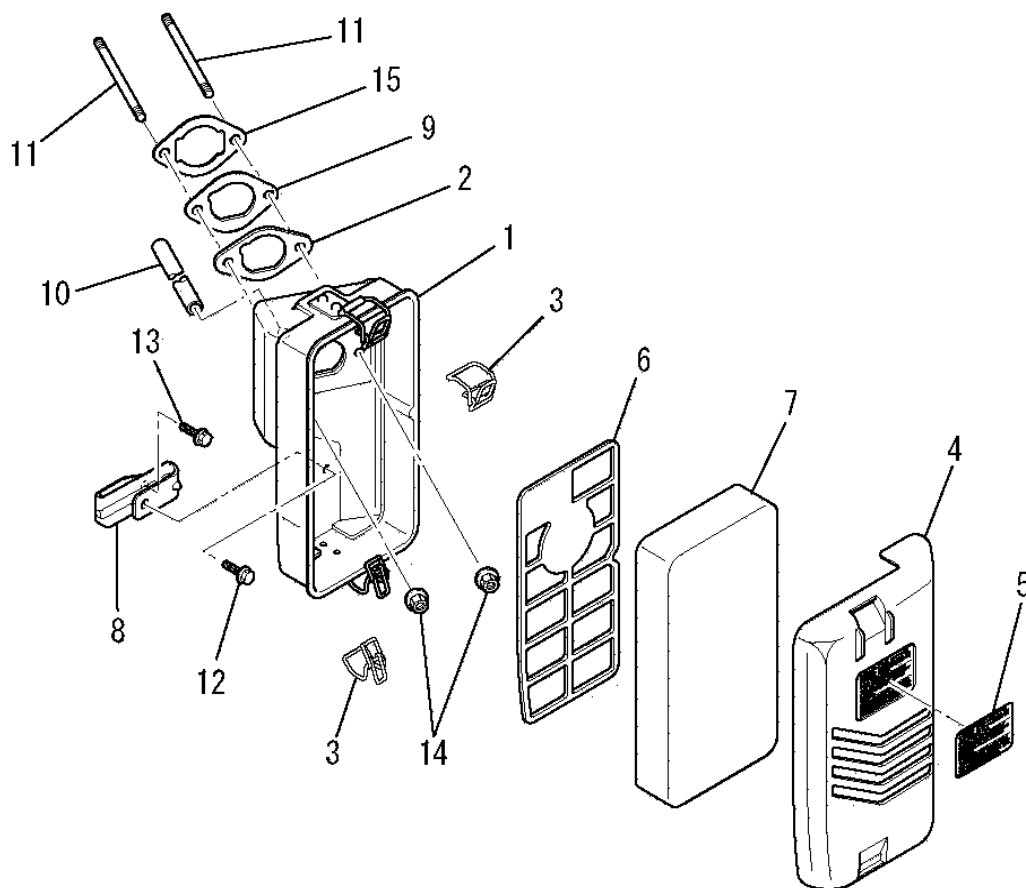
No.	R/N	Parts No.	Parts Name	No.Req'd	Inte	Remarks	Serial No.(From~To)
1		KE12018AA	FLYWHEEL	1			
2		KE25004BA	COIL, IGNITION	1			
3		KE90128AA	FAN	1			
4		KE90129AA	RETAINER	1			
5		KU70007AA	CLIP	1			
6		FA29015	NUT, FLANGE	1			
7		KU12020AA	SCREW	2			
8		KU14036AA	BOLT, FLANGE	2			

(H) AIR CLEANER GROUP



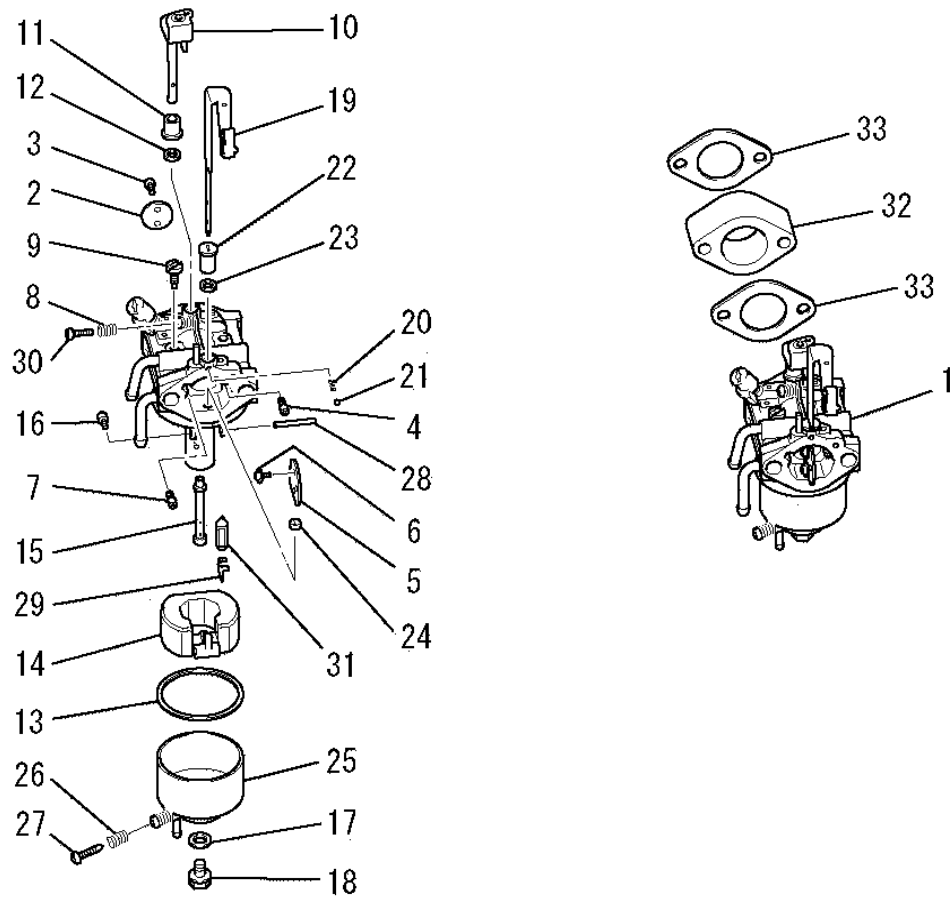
No.	R/N	Parts No.	Parts Name	No.Req'd	Inte	Remarks	Serial No.(From~To)
1		KA11019AA	CASE , CLEANER	1		INCL.NO.2,3	
2		KA11019AA003	GASKET	1			
3		KA90144AA	HOLDER	1			
4		KA20045AA	COVER , CLEANER	1		INCL.NO.5	
5		FA24115	LABEL , INSTRUCTION	1			
6		KA30016AA	GRID	1			
7		KA40059AA	ELEMENT , CLEANER	1			
8		KA90115AA	BRACKET	1			
9		KA90121BA	SPACER	1			
10		ZZ70002S	TUBE , BREATHER	1			
11		B155B06X095	BOLT , STUD	2			
12		B800A06X008	BOLT , FLANGE	1			

(H) AIR CLEANER GROUP



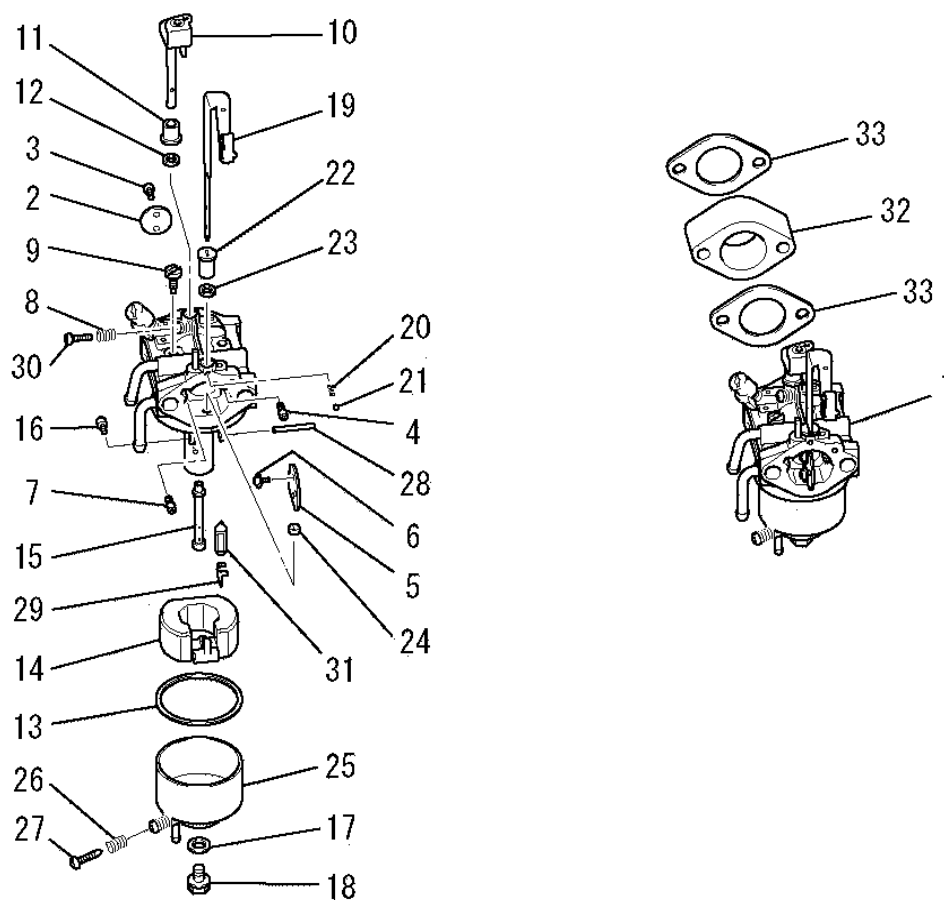
No.	R/N	Parts No.	Parts Name	No.Req'd	Inte	Remarks	Serial No.(From~To)
13		B805B06X016	BOLT , FLANGE	1			
14		N801A06	NUT , FLANGE	2			
15		KW34055AA	GASKET , CARBURETOR	1			

(I) CARBURETOR GROUP



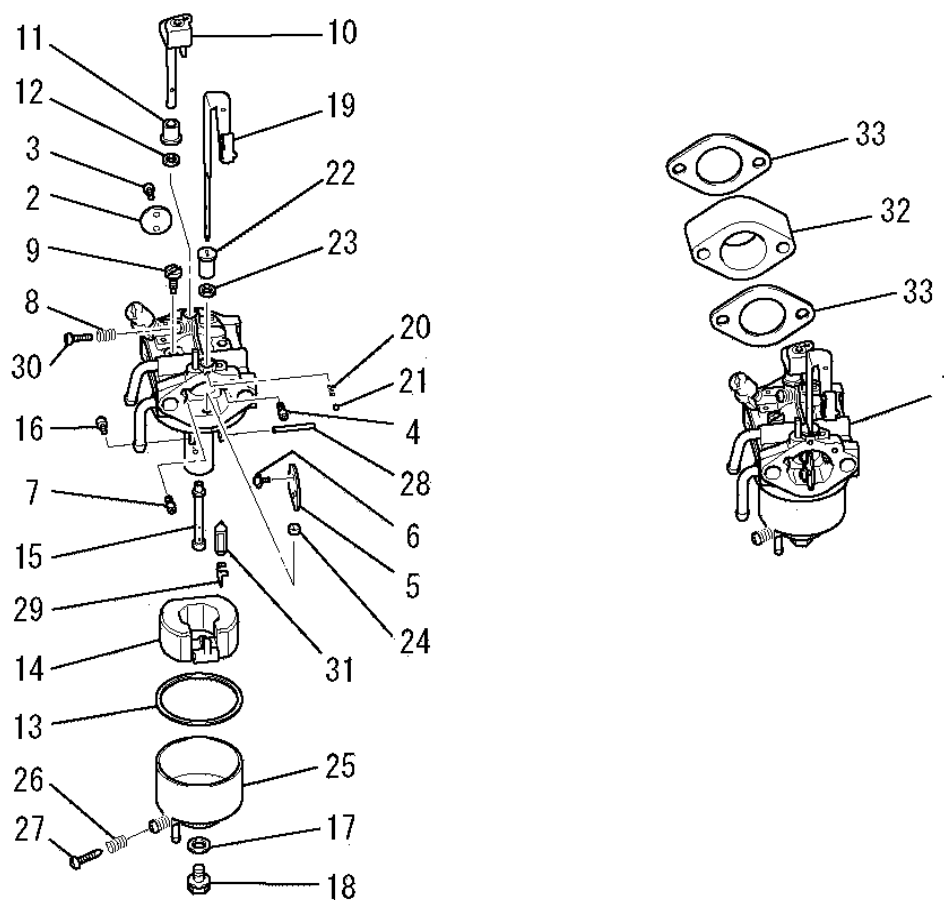
No.	R/N	Parts No.	Parts Name	No.Req'd	Inte	Remarks	Serial No.(From~To)
1		KK16009AB	CARBURETOR(F)	1		INCL.NO.2-31	
2		KK16009AA002	VALVE, THROTTLE	1			
3		KK16009AA003	SCREW	2			
4		KK15001AA026	JET	1			
5		KK16009AA005	VALVE, CHOKE	1			
6		KK15016AA005	SCREW	2			
7		KK16009AA007	JET	1			
8		KK13003AA008	SPRING	1			
9		KK15003DG008	JET, PILOT	1			
10		KK16009AA011	SHAFT, THROTTLE	1			
11		KK16009AA012	RING	1			
12		KK12008AE016	SEAL	1			

(I) CARBURETOR GROUP



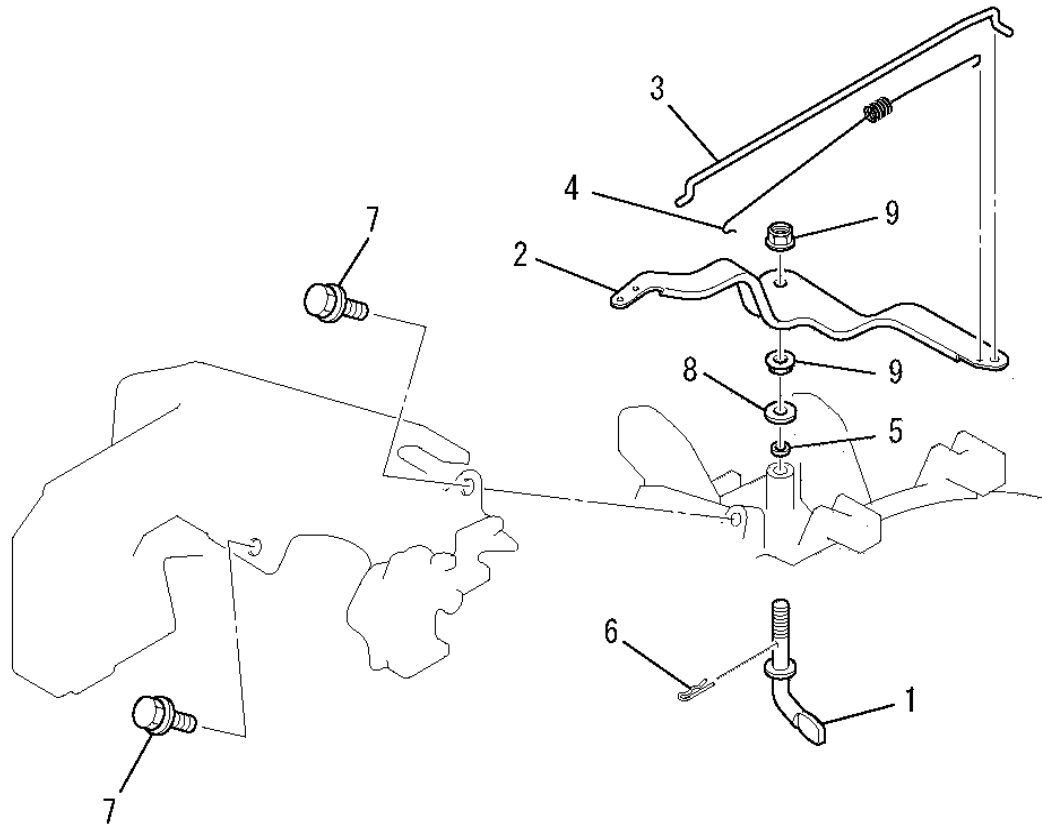
No.	R/N	Parts No.	Parts Name	No.Req'd	Inte	Remarks	Serial No.(From~To)
13		KK15003AE014	PACKING	1			
14		KK15003AE015	FLOAT	1			
15		KK74524BA027	NOZZLE ,MAIN	1			
16		KK74525BA050	JET ,MAIN	1			
17		FA27080XX013	GASKET	1			
18		KK16009AA019	BOLT	1			
19		KK16009AB020	LEVER ,CHOKE	1			
20		KK16009AA021	SPRING	1			
21		KK16009AA022	BALL ,STEEL	1			
22		KK13002AA017	RING	1			
23		KK13002AA028	FELT	1			
24		KK15001AA014	RING	1			

(I) CARBURETOR GROUP



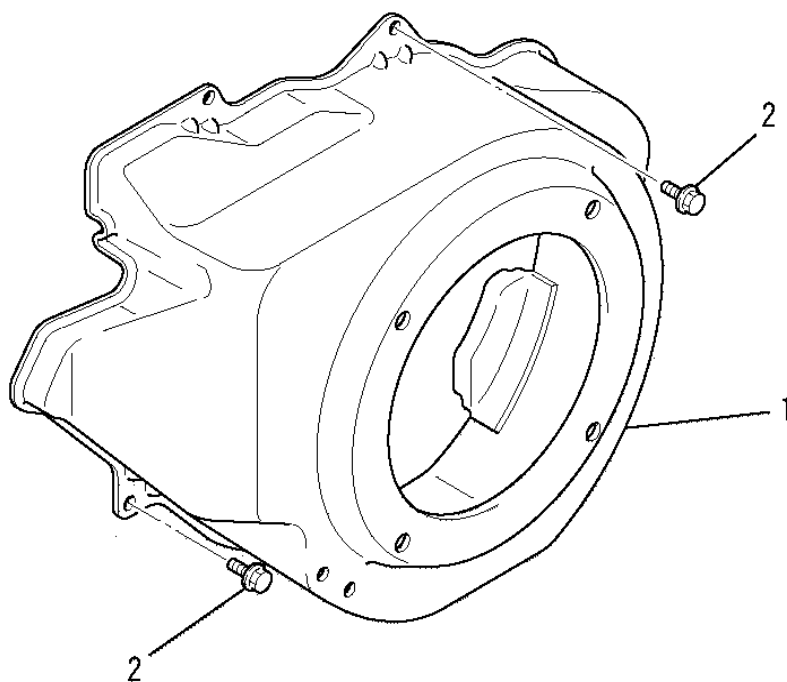
No.	R/N	Parts No.	Parts Name	No.Req'd	Inte	Remarks	Serial No.(From~To)
25		KK15005DA025	CHAMBER, FLOAT	1		INCL.NO.26,27	
26		KK13003AA008	SPRING	1			
27		KK15001AA018	SCREW	1			
28		KK15001AA016	PIN	1			
29		KK12008AE011	CLIP	1			
30		KK16009AA030	SCREW	1			
31		KK15001AA015	NEEDLE, MAIN	1			
32		KK34001BA	INSULATOR	1			
33		KW34052AA	GASKET, CARBURETOR	2			

(J) CONTROL PANEL GROUP



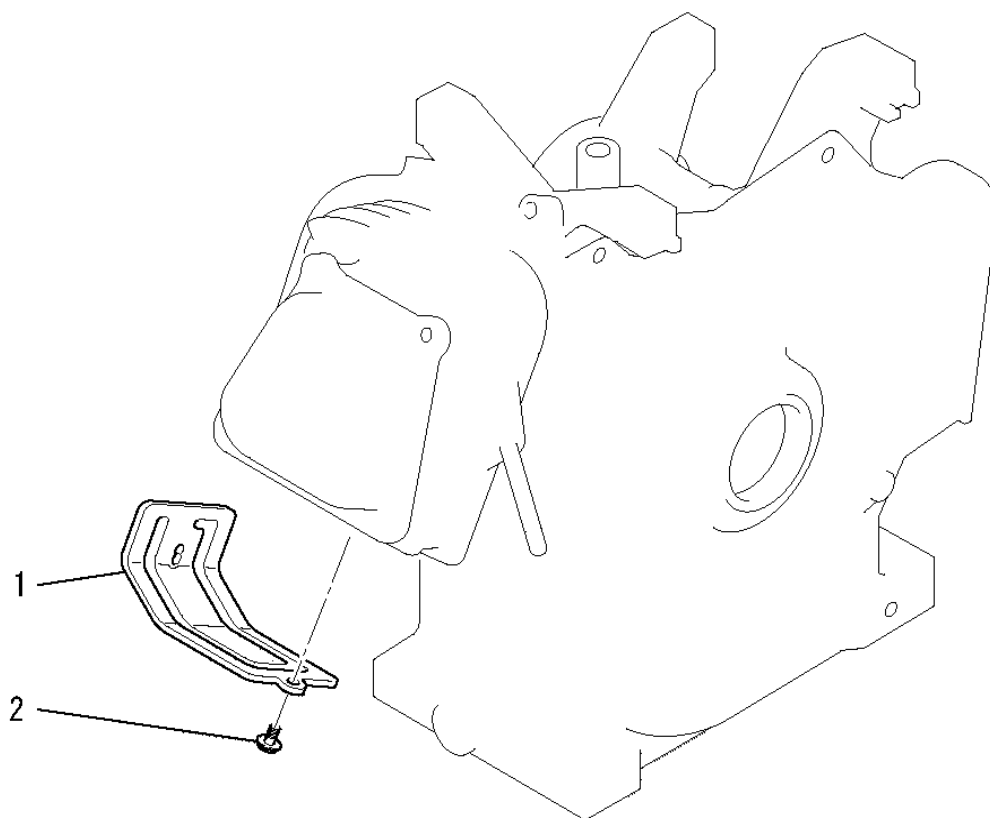
No.	R/N	Parts No.	Parts Name	No. Req'd	Inte	Remarks	Serial No. (From ~ To)
1		KG22009AA	SHAFT, GOV	1			
2		KG31017AA	LEVER, GOV	1			
3		KG41017AA	ROD, GOV	1			
4		KG42013AA	SPRING, ROD	1			
5		KG90016AA	SEAL, DUST	1			
6		KU70006AA	CLIP	1			
7		B805B06X012	BOLT, FLANGE	2			
8		KG90015AA	WASHER	1			
9		KU24002AA	NUT	2			

(K) FAN COVER GROUP



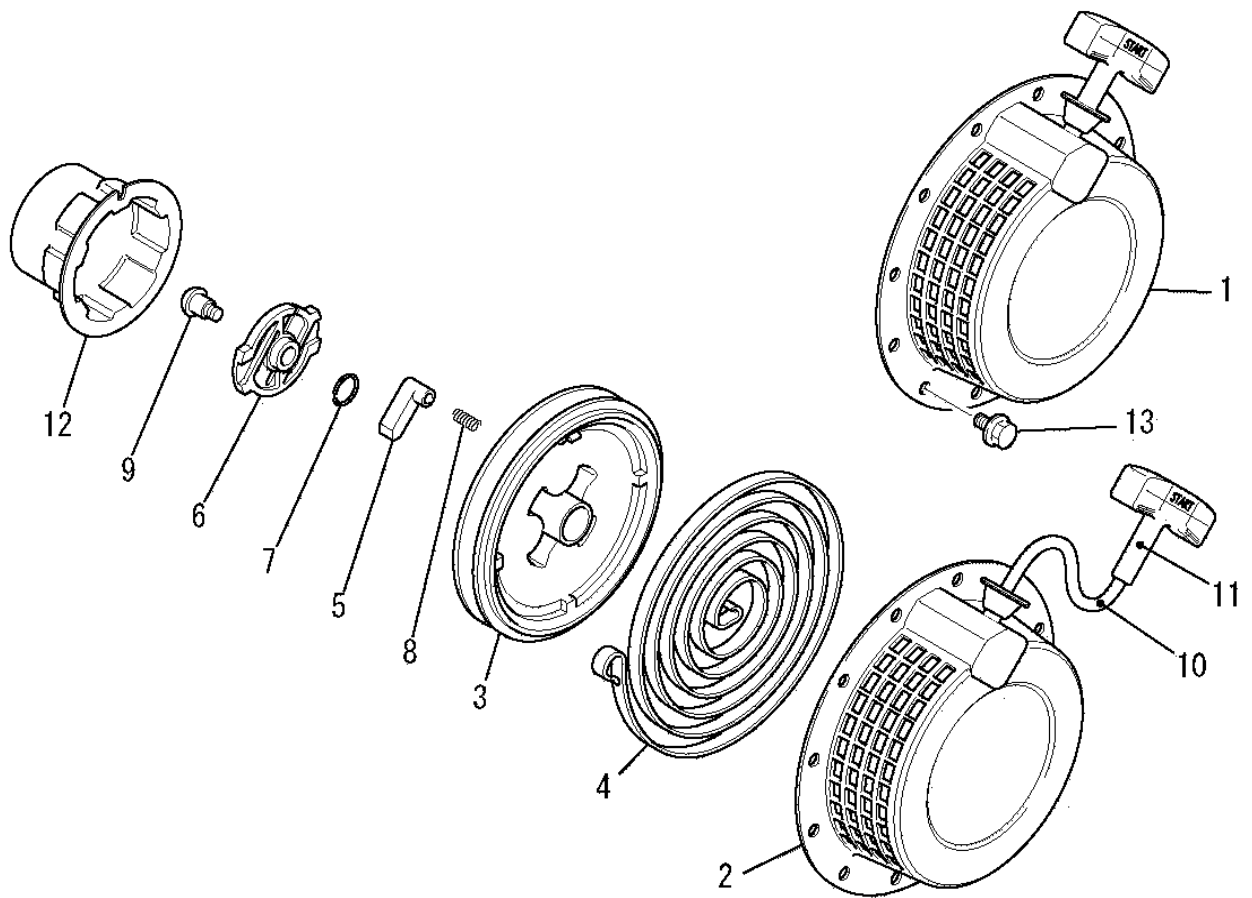
No.	R/N	Parts No.	Parts Name	No.Req'd	Inte	Remarks	Serial No.(From~To)
1		KH28009AA	COVER, FAN	1			
2		B805B06X012	BOLT, FLANGE	4			

(L) CYLINDER COVER GROUP



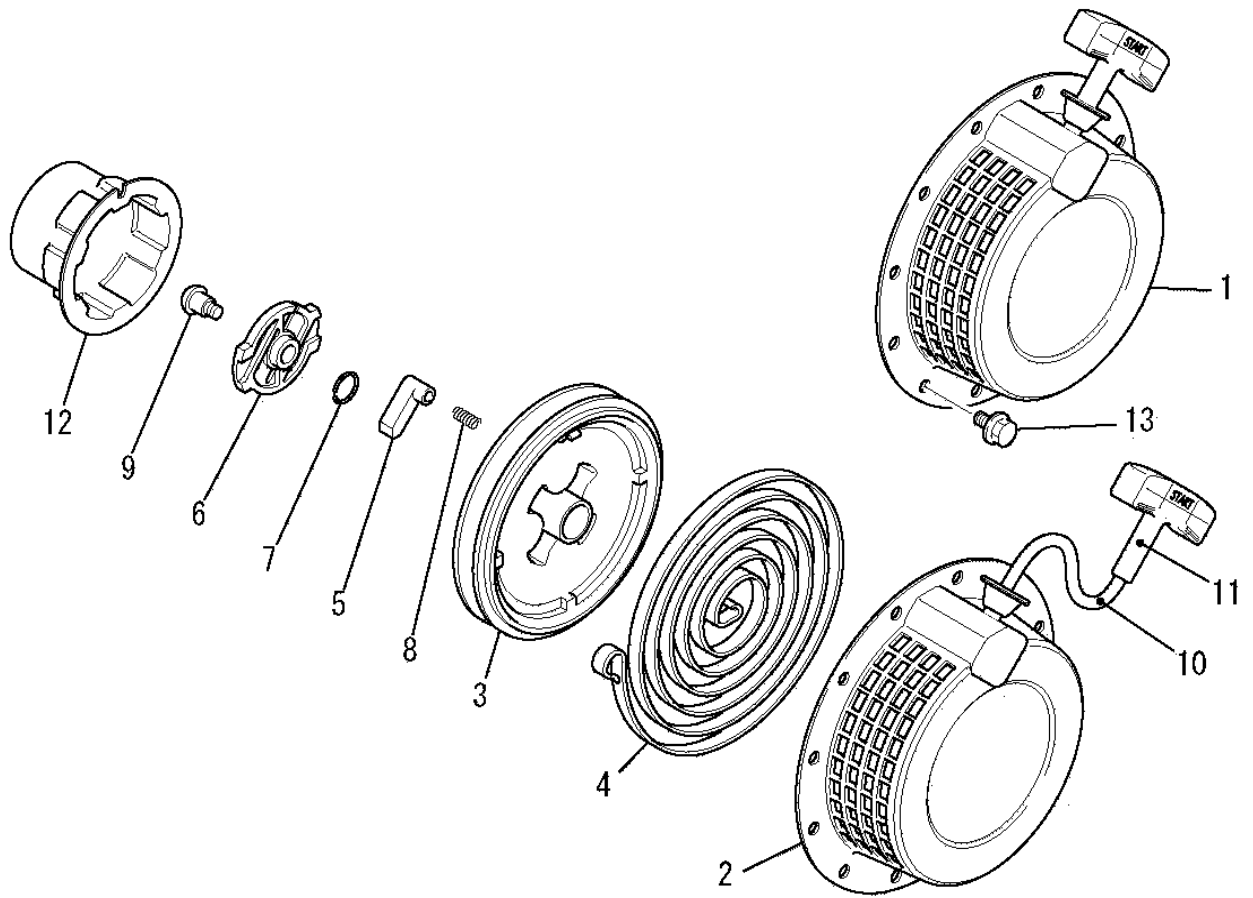
No.	R/N	Parts No.	Parts Name	No. Req'd	Inte	Remarks	Serial No. (From ~ To)
1		KH40020AA	COVER, CYLINDER	1			
2		B805B06X012	BOLT, FLANGE	2			

(R) RECOIL STARTER GROUP



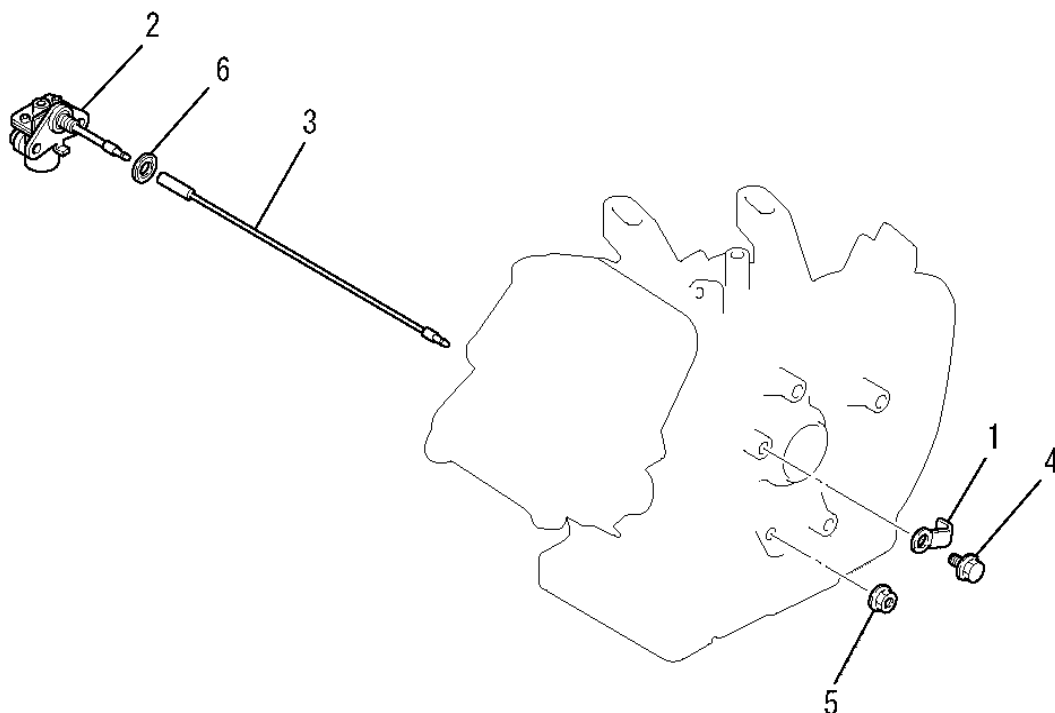
No.	R/N	Parts No.	Parts Name	No.Req'd	Inte	Remarks	Serial No.(From~To)
1		KS02056AD	RECOIL STARTER ASSY	1		INCL.NO.2-12	
2		KS20061AD001	CASE ,STARTER	1			
3		KS20060AD002	REEL	1			
4		KS20060AD003	SPRING ,SPIRAL	1			
5		KS20060AD004	RATCHET	2			
6		KS20061AD005	GUIDE	1			
7		KS20060AD006	SPRING ,FRICTION	1			
8		KS20020AD007	SPRING ,RETURN	2			
9		KS20020AD008	SCREW	1			
10		KS20035AD013	ROPE ,STARTER	1			
11		KS20060AD014	KNOB ,STARTER	1			
12		KS30037AA	PULLEY ,STARTER	1			

(R) RECOIL STARTER GROUP



No.	R/N	Parts No.	Parts Name	No.Req'd	Inte	Remarks	Serial No.(From~To)
13		B800A06X008	BOLT,FLANGE	4			

(W) OIL SENSOR GROUP



No.	R/N	Parts No.	Parts Name	No.Req'd	Inte	Remarks	Serial No.(From~To)
1		FA41303	CLAMP	1			
2		KE09021AA	SENSOR,OIL	1			
3		KE90102BA	WIRE,LEAD	1			
4		B805B06X012	BOLT,FLANGE	1			
5		ZZ70028C	NUT,CONICAL SPG	1			
6		KW39066AA	GASKET	1			