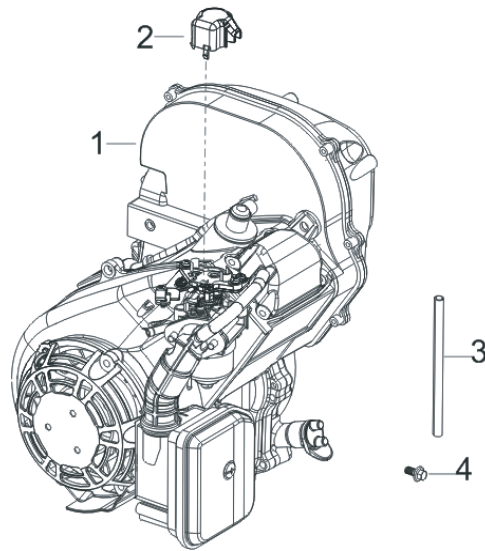
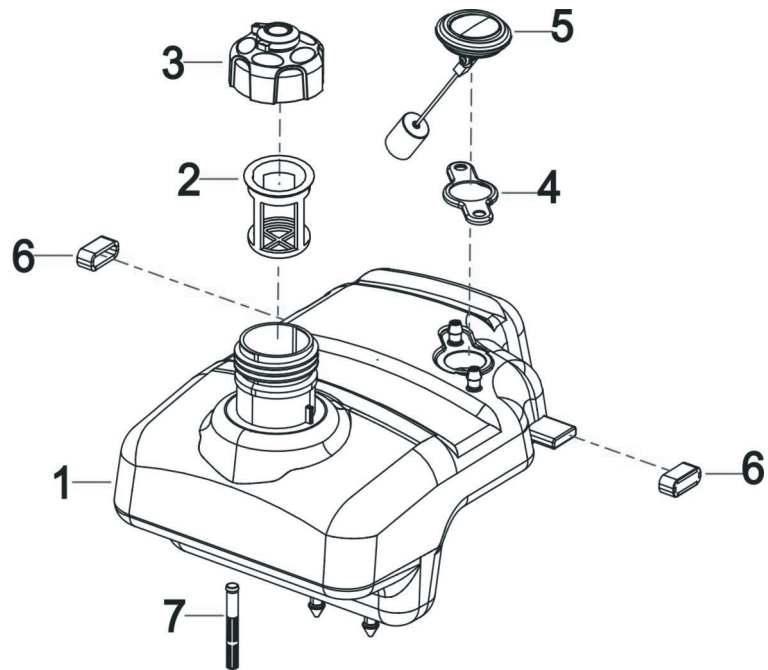


FIG.1



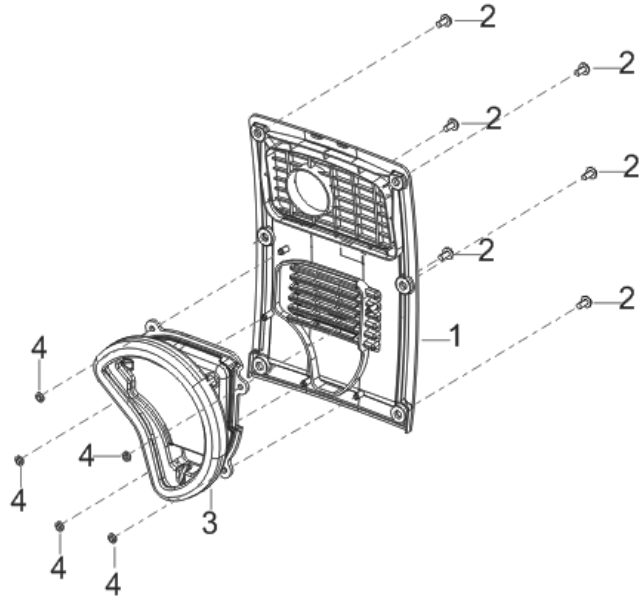
REF.NO.	PART NO	DESCRIPTION	Q'TY
HY200Si-E01-1	R80MI0000FF-RAT001	ENGINE	1
HY200Si-E01-2	14411-Y2V0110-0000	CAP	1
HY200Si-E01-3	90686-Y2V0210-0000	TUBE, FUEL	1
HY200Si-E01-4	90001-0612-01	BOLT	1

FIG.2 TANK, FUEL



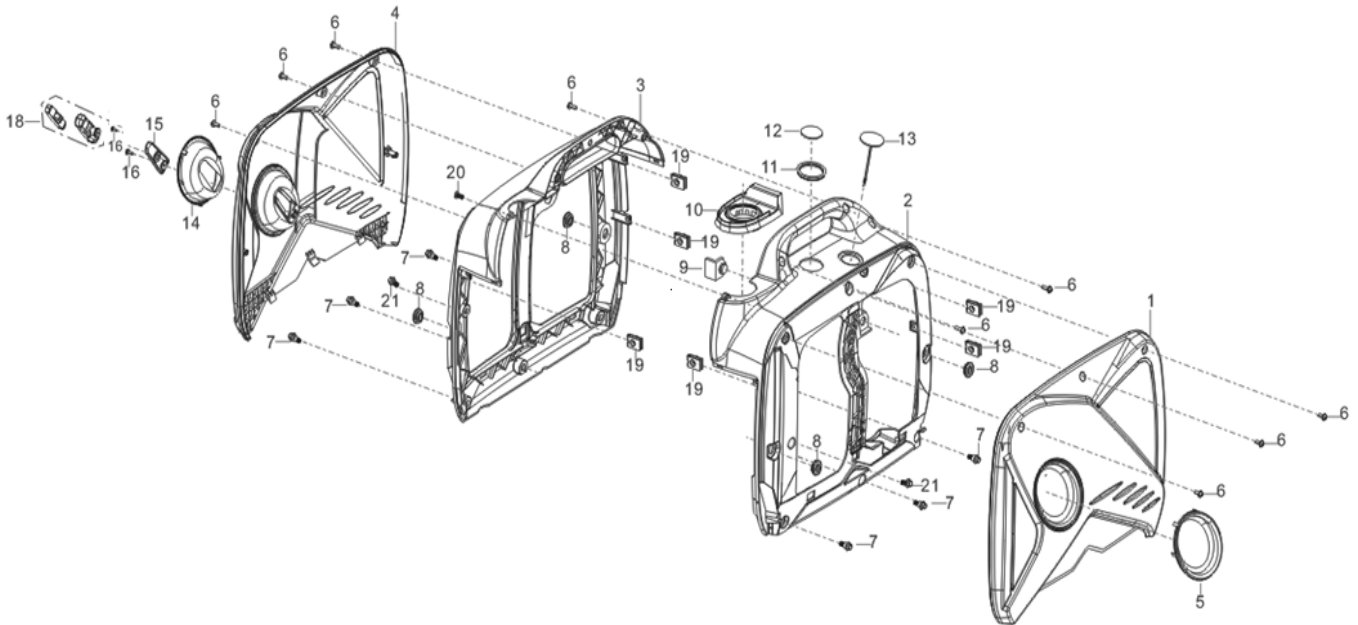
REF.NO.	PART NO	DESCRIPTION	Q'TY
HY200Si-E02-1	16620-Y2V0140-Q200	TANK, FUEL	1
HY200Si-E02-2	16652-Y2V0110-0000	FUEL FILTER	1
HY200Si-E02-3	16730-Y2V0610-Q200	COVER, FUEL TANK	1
HY200Si-E02-4	11513-Y2V0110-0000	CLAMP, OIL SEAL	1
HY200Si-E02-5	37200-Y1Y0110-0000	FUEL GAUGE	1
HY200Si-E02-6	90683-Y2V0110-0000	BUSH	2
HY200Si-E02-7	16514-Y2V0110-0000	ELEMENT, STRAINER	1

FIG.3



REF.NO.	PART NO	DESCRIPTION	Q'TY
HY200Si-E03-1	18002-Y2V0110-Q200	COVER, MUFFLER SIDE	1
HY200Si-E03-2	90255-0512-53	ASSEMBLY, PAN HEAD SCREW AND WASHER	6
HY200Si-E03-3	53202-Y2V0110-0000	CUSHION, JOINT RUBBER	1
HY200Si-E03-4	37073-Y2V0110-0000	CLIP, SPRING	5

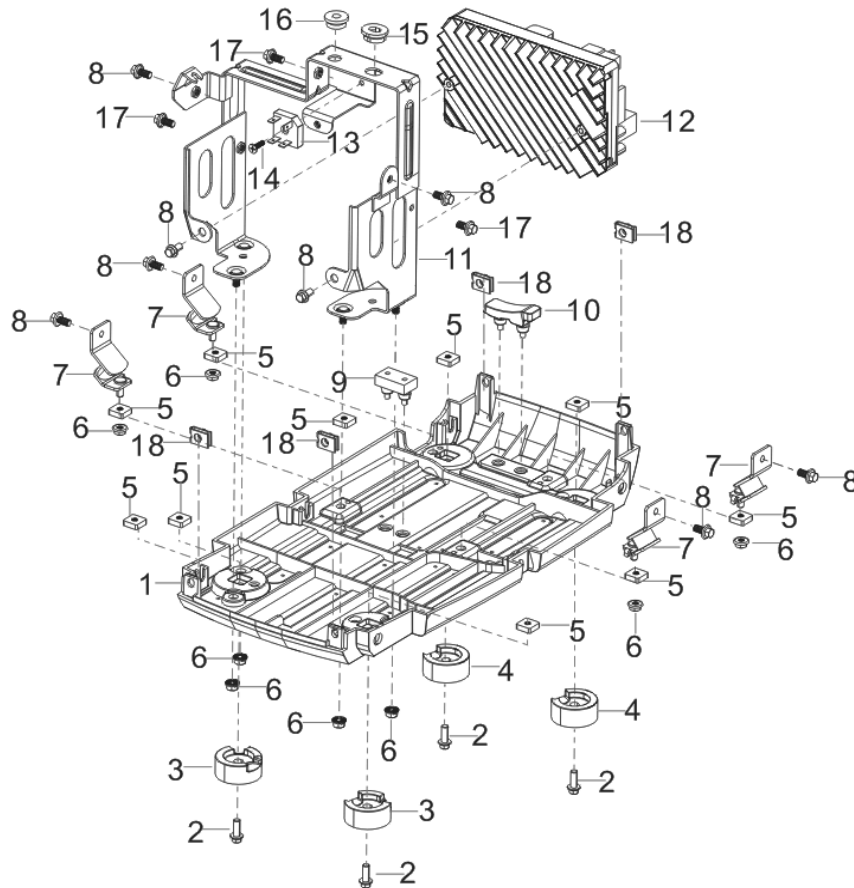
FIG.4



REF.NO.	PART NO	DESCRIPTION	Q'TY
HY200Si-E04-1	80096-Y2V0110-BQ00	COVER BOARD, RIGHT	1
HY200Si-E04-2	80095-Y2V0110-Q200	SHELL, RIGHT	1
HY200Si-E04-3	80091-Y2V0120-Q200	SHELL, LEFT	1
HY200Si-E04-4	80092-Y2V0120-BQ00	COVER BOARD, LEFT	1
HY200Si-E04-5	80097-Y2V0110-0000	DECORATED FRONT PANEL, RIGHT	1
HY200Si-E04-6	90255-0516-53	ASSEMBLY, PAN HEAD SCREW AND WASHER	9
HY200Si-E04-7	90208-Y2V0110-0000	BOLT	6

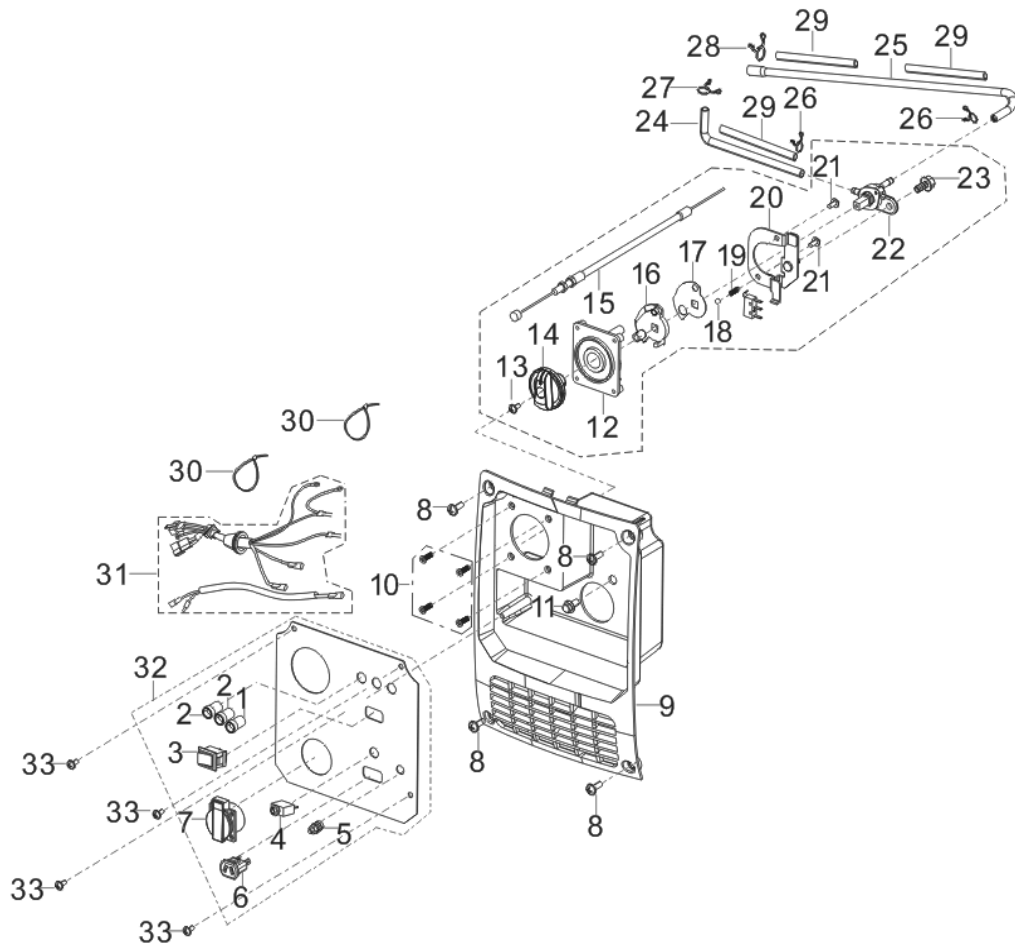
HY200Si-E04-8	16601-Y2V0210-0000	SLEEVE, FUEL TANK RUBBER	4
HY200Si-E04-9	50033-Y2V0110-0000	CUSHION , ENGINE UPPER SUSPENSION RUBBER	1
HY200Si-E04-10	16641-Y2V0110-0000	SLEEVE, FILLING OIL HOLE RUBBER	1
HY200Si-E04-11	30431-Y2V0310-0000	JACKET, RUBBER	1
HY200Si-E04-12	37205-Y2V0210-0000	OPENING, OIL LEVERLER VIEW	1
HY200Si-E04-13	30431-Y2V0110-0000	JACKET, RUBBER	1
HY200Si-E04-14	80093-Y2V0110-0000	DECORATED FRONT PANEL, LEFT	1
HY200Si-E04-15	28004-Y2V0210-0000	GUIDE , STARTING ROPE	1
HY200Si-E04-16	90255-0512-53	ASSEMBLY, PAN HEAD SCREW AND WASHER	2
HY200Si-E04-18	28210-Y2V0110-0000	HANDLE, RECOIL STRATER CABLE	1
HY200Si-E04-19	17199-Y2V0110-0000	NUT	6
HY200Si-E04-20	90129-0416-01	SCREW , CROSS GROOVE PAN	1
HY200Si-E04-21	90007-0612-A1	BOLT	2

FIG.5



REF.NO.	PART NO	DESCRIPTION	Q'TY
HY200Si-E05-1	51143-Y2V0120-Q200	PLATE , BOTTOM	1
HY200Si-E05-2	90001-0614-01	BOLT	4
HY200Si-E05-3	51014-Y2V0140-0000	SEAT,FRAME	2
HY200Si-E05-4	51014-Y2V0250-0000	SEAT,FRAME	2
HY200Si-E05-5	90326-Y2V0110-0000	NUT	10
HY200Si-E05-6	90305-0600-31	NUT	8
HY200Si-E05-7	51005-Y2V0110-0000	CUSHION, ENGINE FRAME	4
HY200Si-E05-8	90001-0612-01	BOLT	8
HY200Si-E05-9	50035-Y2V0210-0000	BRACKET, CUSHION RUBBER	1
HY200Si-E05-10	50035-Y2V0110-0000	BRACKET, CUSHION RUBBER	1
HY200Si-E05-11	30081-Y2V0120-H700	ASSEMBLING FRAME, INVERTER	1
HY200Si-E05-12	30043-Y2V0220-0000	INVERTER	1
HY200Si-E05-13	35621-Y2V0110-0000	RECTIFIER BRIDGE	1
HY200Si-E05-14	90103-0416-51	SCREW	1
HY200Si-E05-15	16601-Y2V0210-0000	SLEEVE, FUEL TANK RUBBER	1
HY200Si-E05-16	16601-Y2V0110-0000	SLEEVE, FUEL TANK RUBBER	1
HY200Si-E05-17	90001-0612-01	BOLT	3
HY200Si-E05-18	17199-Y2V0110-0000	NUT	4

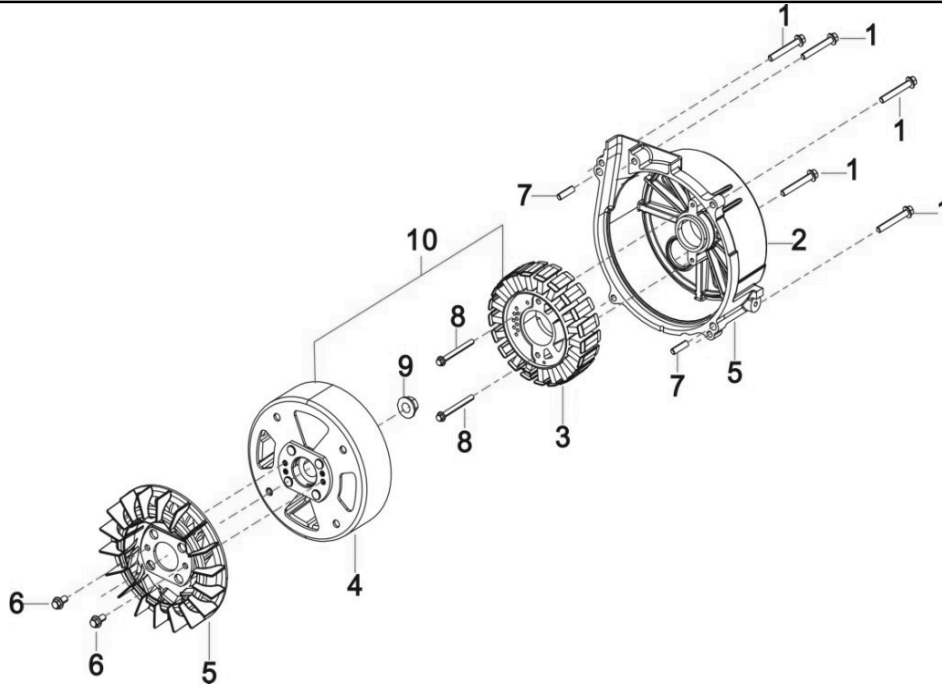
FIG.6



REF.NO.	PART NO	DESCRIPTION	Q'TY
HY200Si-F05-1	90803-Y2V0110-0000	INDICATOR LIGHT	1
HY200Si-F05-2	90803-Y2V0210-0000	INDICATOR LIGHT	2
HY200Si-F05-3	35540-Y2V0110-0000		1
HY200Si-F05-4	31234-Y020110-0000	CIRCUIT BREAKER 20 AMP 1 POLE	1
HY200Si-F05-5	35629-Y2V0110-0000	GROUNDING TERMINAL COMBINATION	1
HY200Si-F05-6	35619-Y2V0110-0000	SOCKET SUBASSEMBLY, D.C	1
HY200Si-F05-7	35614-Y020110-0000	120 VOLT DUPLEX RECEPTACLE	1
HY200Si-F05-8	90255-0516-53	ASSEMBLY, PAN HEAD SCREW AND WASHER	4
HY200Si-F05-9	35680-Y2V0130-Q200	SEAT, PANEL	1
HY200Si-F05-10	90129-0416-01	SCREW , CROSS GROOVE PAN	4
HY200Si-F05-11	90001-0612-01	BOLT	1
HY200Si-F05-12	35021-Y2V0120-Q200	CONTROL BOX	1
HY200Si-F05-13	90103-0416-51	SCREW	1
HY200Si-F05-14	35643-Y2V0210-Q200	KNOB	1
HY200Si-F05-15	16080-Y2V0110-0000	HANDLE SUBASSEMBLY, CHOKE	1
HY200Si-F05-16	94111-Y2V0130-Q200	COVER BOARD	1
HY200Si-F05-17	16144-Y2V0110-0000	BLOCK , CHOKE CABLE STOPPER	1
HY200Si-F05-18	90543-0500-00	BALL, STEEL	1
HY200Si-F05-19	16527-Y2V0120-0000	SPRING, STOPPER ADJUSTING	1
HY200Si-F05-20	50132-Y2V0110-0000	BRACKET, FUEL COCK	1
HY200Si-F05-21	90129-0416-01	SCREW , CROSS GROOVE PAN	2
HY200Si-F05-22	16750-Y2V0140-0000	COCK ASSY, FUEL	1
HY200Si-F05-23	90007-0612-A1	NUT	1
HY200Si-F05-24	90686-Y2V0110-0000	TUBE, FUEL	1
HY200Si-F05-25	90686-Y2V0310-0000	TUBE, FUEL	1
HY200Si-F05-26	90740-Z010210-0000	COLLAR	2
HY200Si-F05-27	90740-Z450110-0000	COLLAR	1
HY200Si-F05-28	90685-Z030510-0000	COLLAR	1
HY200Si-F05-29	30431-Y020110-0000	JACKET, RUBBER	3

HY200Si-F05-30	90727-Y040110-0000	BAND	2
HY200Si-F05-31	35660-Y2V0120-0000	HARNESS, CONTROL PANEL WIRING	1
HY200Si-F05-32	35610-Y2V1610-H300	PANEL, CONTROL, ASSY.	1
HY200Si-F05-33	90107-0416-03	SCREW, CROSS GROOVE PAN	4

FIG.7 ROTOR/STATOR



REF.NO.	PART NO	DESCRIPTION	Q'TY
HY200Si-F06-1	90001-0630-01	BOLT	5
HY200Si-F06-2	30024-Y2V0130-0000	SHROUD, MOTOR	1
HY200Si-F06-3	30120-Y2V0130-0000	STATOR COMP.	1
HY200Si-F06-4	30110-Y2V0130-0000	ROTOR COMP	1
HY200Si-F06-5	19352-Y2V0110-Q200	IMPELLER	1
HY200Si-F06-6	90001-0610-01	BOLT	2
HY200Si-F06-7	90502-0814-00	PIN	2
HY200Si-F06-8	90001-0535-01	BOLT	2
HY200Si-F06-9	90306-1200-31	NUT	1