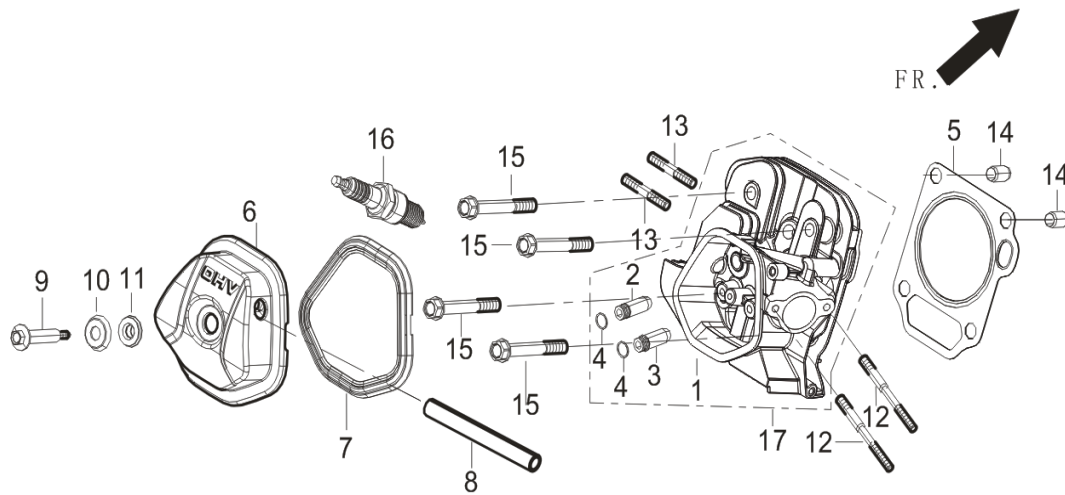
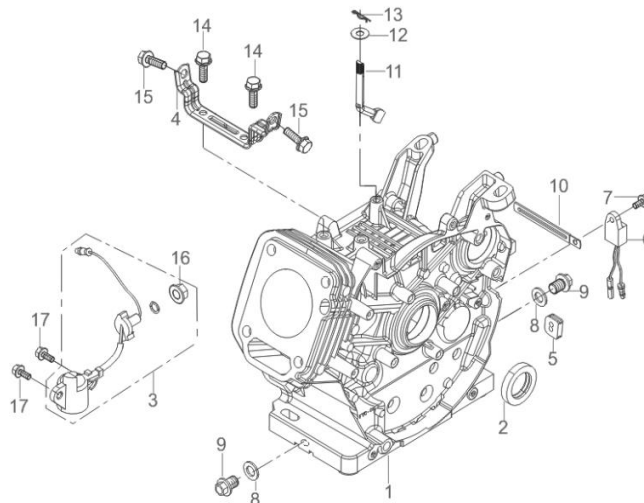


FIG.1 HEAD SUBASSEMBLY, CYLINDER / PLUG, SPARK (E01)



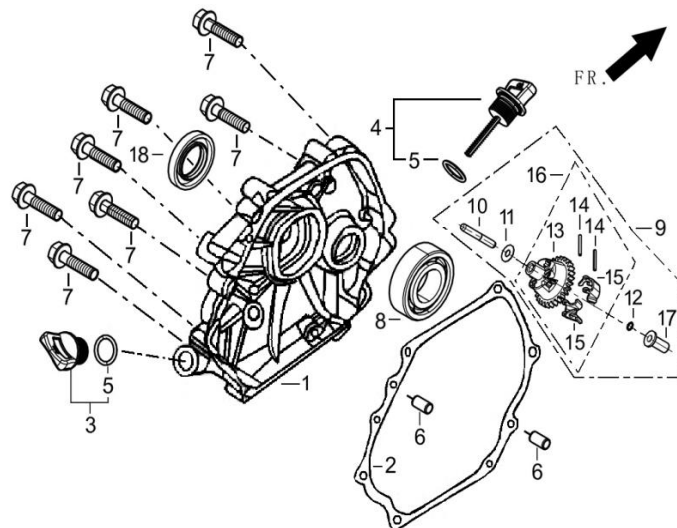
REF.NO.	PART NO	DESCRIPTION	Q'TY
HY101-E01-5	12131-Z080110-0000	GASKET, CYLINDER HEAD	1
HY101-E01-6	12410-Z310110-0000	COVER SUBASSEMBLY, CYLINDER HEAD	1
HY101-E01-7	12004-Z080110-0000	GASKET, CYLINDER HEAD COVER	1
HY101-E01-8	17004-Z080210-0000	TUBE, BREATHER	1
HY101-E01-9	12032-Z080110-0100	BOLT, CYLINDER HEAD	1
HY101-E01-10	12031-Z080110-0100	GASKET, CYLINDER HEAD COVER	1
HY101-E01-11	12033-Z080110-0000	GASKET, CYLINDER HEAD COVER BOLT	1
HY101-E01-12	90204-Z080320-0000	STUD	2
HY101-E01-13	90204-Z100320-0000	STUD	2
HY101-E01-14	90502-1220-00	PIN	2
HY101-E01-15	12003-Z080110-0000	BOLT, CYLINDER HEAD	4
HY101-E01-16	30010-Z010110-0000	PLUG, SPARK	1
HY101-E01-17	12140-Z090110-0B00	HEAD SUBASSEMBLY, CYLINDER	1

FIG.2 CRANKCASE. (E02)



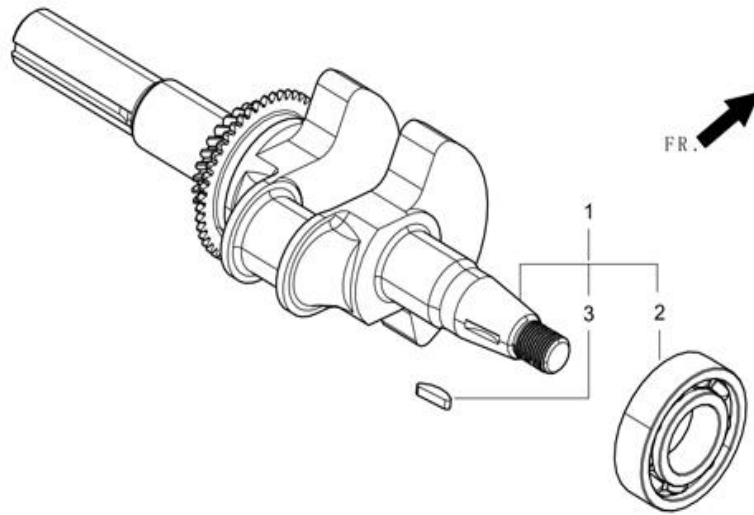
REF.NO.	PART NO	DESCRIPTION	Q'TY
HY101-E02-1	11310-Z080110-0B00	CRANKCASE SUBASSEMBLY.	1
HY101-E02-2	90682-Z080110-0000	SEAL, OIL	1
HY101-E02-3	37060-Z080120-0000	SENSOR, ENGINE OIL	1
HY101-E02-4	16612-Z080120-H300	FRAME , FUEL TANK INSTALLTION	1
HY101-E02-5	28101-Z080110-0000	PLUG, RUBBER	1
HY101-E02-6	37050-Z010210-0000	PROTECTOR, OIL	1
HY101-E02-7	90001-0612-01	BOLT	1
HY101-E02-8	90412-Z080110-0000	WASHER	2
HY101-E02-9	11007-Z080110-0000	BOLT, DRAIN PLUG	2
HY101-E02-10	90684-Z030120-0000	CLIP	1
HY101-E02-11	16061-Z080110-0000	ARM, GOVERNOR	1
HY101-E02-12	90412-Z080210-0000	RING, SEAL	1
HY101-E02-13	90501-Z010110-0000	PIN	1
HY101-E02-14	90001-0820-01	BOLT	2
HY101-E02-15	90001-0816-01	BOLT	2
HY101-E02-16	90305-Z010210-01	NUT	1
HY101-E02-17	90001-0616-01	BOLT	2

FIG.3 COVER SUBASSEMBLY, CRANKCASE / GEAR ASSY, GOVERNOR (E03)



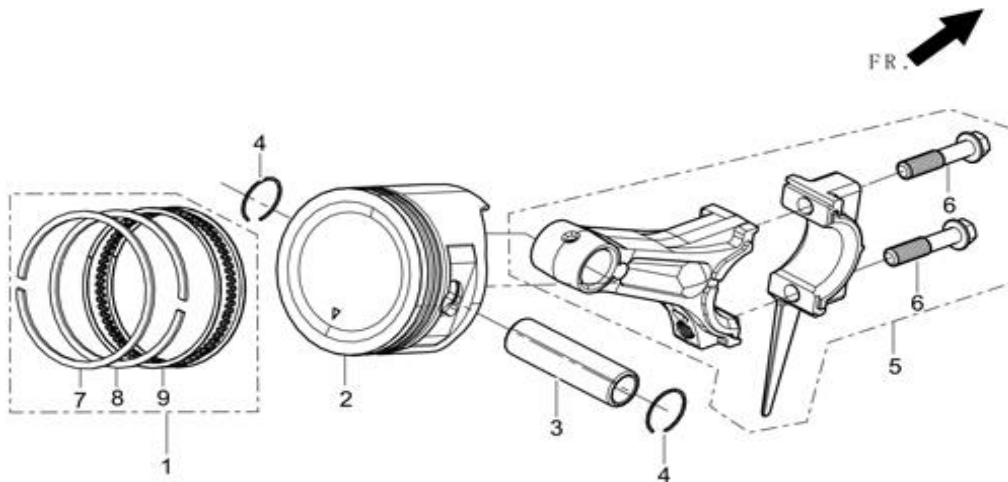
REF.NO.	PART NO	DESCRIPTION	Q'TY
HY101-E03-1	11411-Z080510-0B00	COVER, CRANKCASE	1
HY101-E03-2	11001-Z080120-0000	GASKET, CRANKCASE	1
HY101-E03-3	15030-Z080130-Q500	PLUG SUBASSEMBLY, ENGINE OIL	1
HY101-E03-4	15010-Z080130-Q500	DIPSTICK SUBASSEMBLY, OIL	1
HY101-E03-6	90502-0812-00	PIN	2
HY101-E03-7	90001-0835-01	BOLT	7
HY101-E03-8	90548-0206-CL	BEARING	1
HY101-E03-9	16400-Z080110-0000	GEAR ASSY, GOVERNOR	1
HY101-E03-18	90682-Z080110-0000	SEAL, OIL	1

FIG.4 ROD,CRANKSHAFT CONNETING (E04)



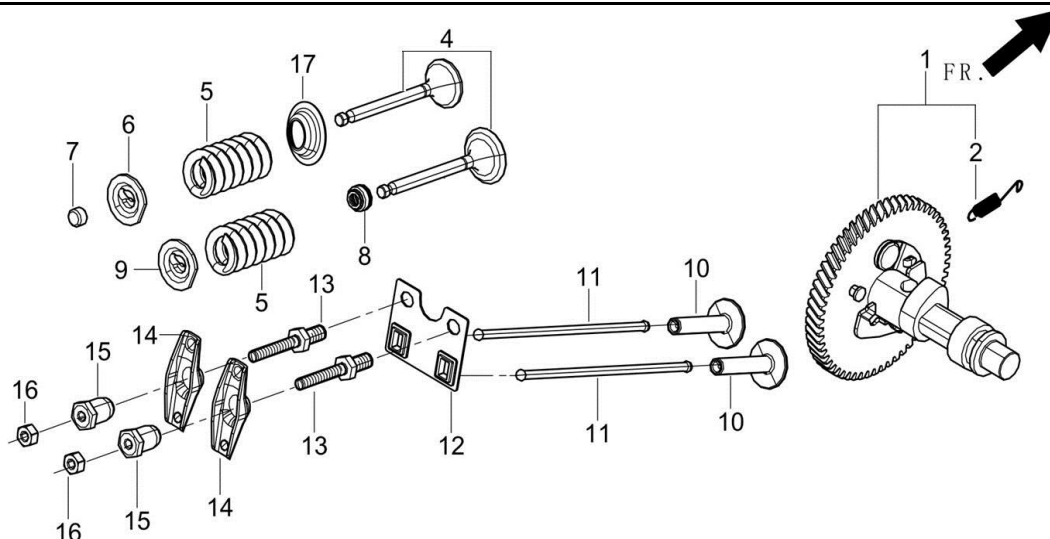
REF.NO.	PART NO	DESCRIPTION	Q'TY
HY101-E04-1	13300-Z080210-0000	CRANKSHAFT ASSY.	1

FIG.5 RING SET,OIL / ROD,CRANKSHAFT CONNETING (E05)



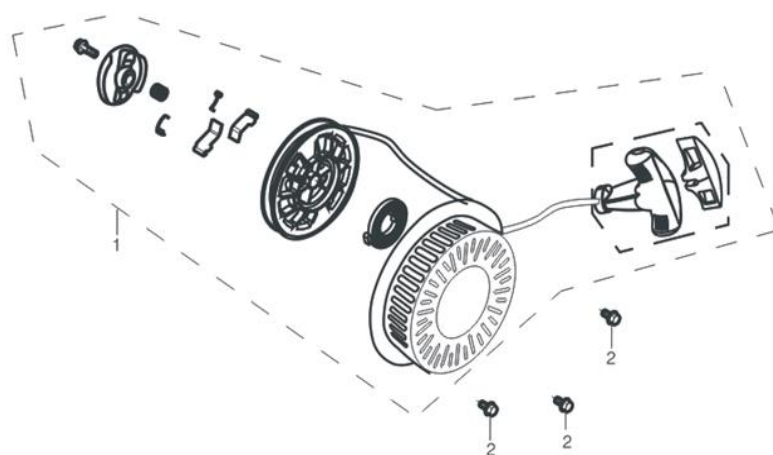
REF.NO.	PART NO	DESCRIPTION	Q'TY
HY101-E05-1	13200-Z080210-0000	PISTON RINGS SET	1
HY101-E05-2	13111-Z080210-0000	PISTON	1
HY101-E05-3	13121-Z080110-0000	PIN, PISTON	1
HY101-E05-4	13122-Z010110-0000	CLIP, PISTON PIN	2
HY101-E05-5	13010-Z080120-0000	ROD, CONNECTING	1

FIG.6 TRAIN,VALVE / CAMSHAFT SUBASSEMBLY (E06)



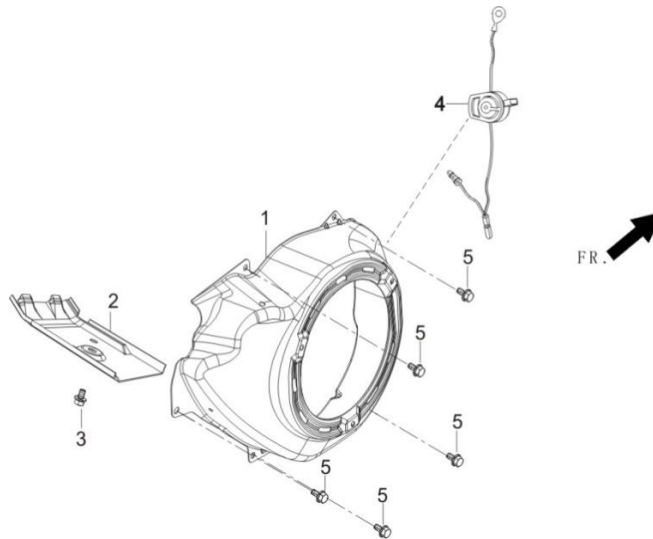
REF.NO.	PART NO	DESCRIPTION	Q'TY
HY101-E06-1	14200-Z080110-0000	CAMSHAFT ASSY.	1
HY101-E06-4	12110-Z080110-0000	VALVE	1
HY101-E06-5	12103-Z080110-0000	SPRING, VALVE	2
HY101-E06-6	12107-Z080110-0000	RETAINER , EXHAUST VALVE	1
HY101-E06-7	12104-Z080110-0000	RATATOR, VALVE	1
HY101-E06-8	12101-Z080110-0000	GUIDE, SEAL	1
HY101-E06-9	12112-Z080110-0000	RETAINER, VALVE SPRING	1
HY101-E06-10	14081-Z080110-0000	LIFTER, VALVE	2
HY101-E06-11	14070-Z080110-0000	TAPPET, VALVE	2
HY101-E06-12	14090-Z080110-0000	PLATE SUBASSEMBLY, LIFTER STOPPER	1
HY101-E06-13	14313-Z010110-0000	BOLT, VALVE ADJUSTING	2
HY101-E06-14	14311-Z080110-0000	ROCKER, VALVE	2
HY101-E06-15	14314-Z010110-0000	NUT, VALVE ADJUSTING	2
HY101-E06-16	14312-Z010110-0000	NUT, VALVE LOCK	2
HY101-E06-17	12105-Z080110-0000	RETAINER, VALVE SPRING	1

FIG.7 STARTER,RECOIL (E07)



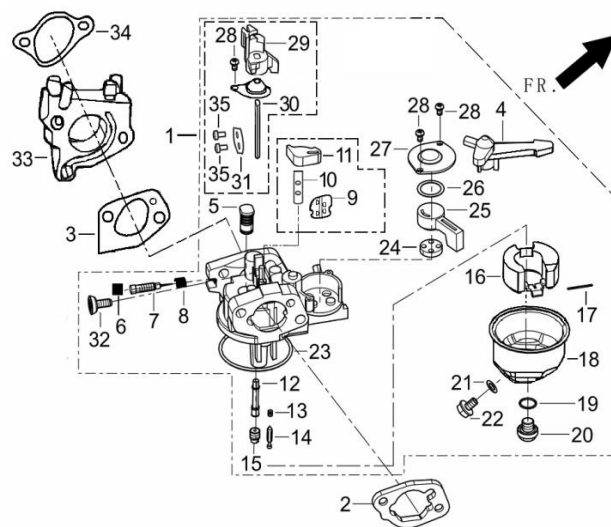
REF.NO.	PART NO	DESCRIPTION	Q'TY
HY101-E07-1	28200-Z082110-H700	STARTER ASSY, RECOIL	1
HY101-E07-2	90001-0608-01	BOLT	3

FIG.8 SHROUD / SHIELD, LOWER (E08)



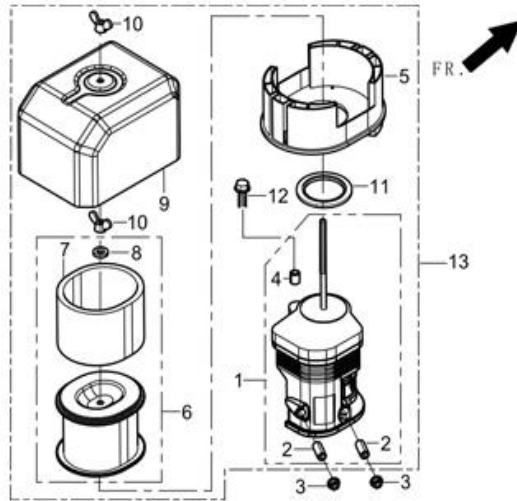
REF.NO.	PART NO	DESCRIPTION	Q'TY
HY101-E08-1	28110-Z080410-H700	SHROUD	1
HY101-E08-2	19304-Z090110-0000	SHROUD, CYLINDER BODY	1
HY101-E08-3	90001-0612-01	BOLT	1
HY101-E08-4	35540-Z060140-Q200	SWITCH SUBASSEMBLY, STOP ENGINE	1
HY101-E08-5	90001-0612-01	BOLT	5

FIG.9 CARBURETOR ASSY. (E09)



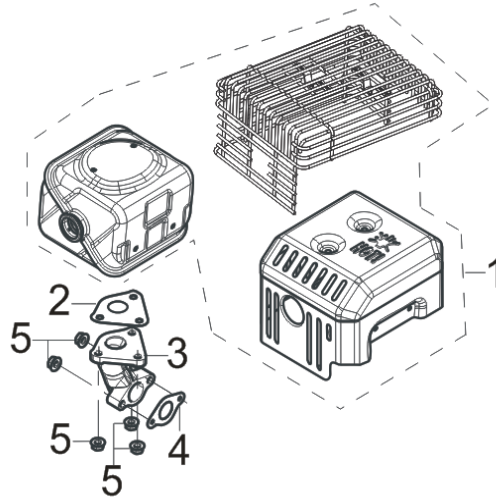
REF.NO.	PART NO	DESCRIPTION	Q'TY
HY101-E09-1	16100-Z080210-0000	CARBURETOR ASSY.	1
HY101-E09-2	17001-Z080210-0000	GASKET, AIR CLEANER	1
HY101-E09-3	16001-Z080110-0000	GASKET, CARBURETOR	1
HY101-E09-33	16003-Z080110-0000	PLATE, CARBURETOR INSULATOR	1
HY101-E09-34	17002-Z080210-0000	GASKET, INLET	1

FIG.10 CLEANER, AIR (E10)



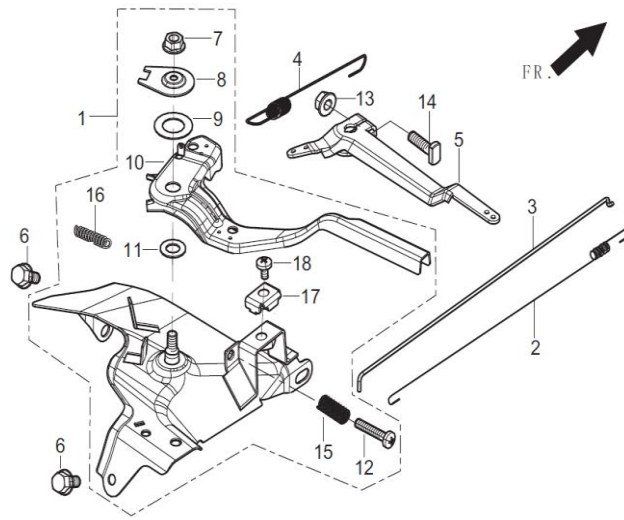
REF.NO.	PART NO	DESCRIPTION	Q'TY
HY101-E10-3	90305-0600-31	NUT	2
HY101-E10-12	90007-0630-A1	BOLT	1
HY101-E10-13	17100-Z080210-0000	CLEANER, AIR	1

FIG.11 MUFFLER ASSY. (E11)



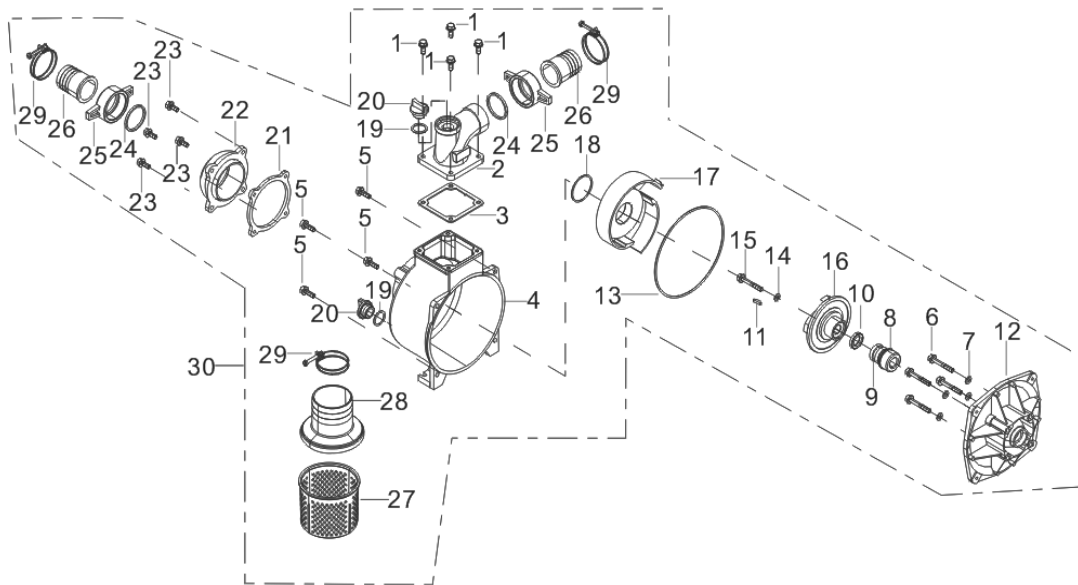
REF.NO.	PART NO	DESCRIPTION	Q'TY
HY101-E11-1	18100-Z081810-0000	MUFFLER ASSY.	1
HY101-E11-2	18101-Z080110-0000	BLOCK, MUFFLER SEAT REINFORCING	1
HY101-E11-3	18150-Z080210-0000	PIPE, EXHAUST	1
HY101-E11-4	18001-Z080110-0000	GASKET, EXHAUST OUTLET	1
HY101-E11-5	90305-0800-31	NUT	5

FIG.14 CONTROL ASSY, THROTTLE (E14)



REF.NO.	PART NO	DESCRIPTION	Q'TY
HY101-E14-1	16520-Z080320-0000	CONTROL ASSY, THROTTLE	1
HY101-E14-2	16012-Z080110-0000	SPRING, THROTTLE VALVE RETURNING	1
HY101-E14-3	16062-Z080110-0000	ROD, GOVERNEOR	1
HY101-E14-4	16063-Z080310-0000	SPRING, GOVERNOR	1
HY101-E14-5	16070-Z080110-0000	SUPPORT SUBASSEMBLY, GOVERNOR	1
HY101-E14-6	90001-0612-01	BOLT	2
HY101-E14-13	90305-0600-31	NUT	1
HY101-E14-14	16072-Z010110-0000	BOLT, GOVERNOR SUPPORT	1

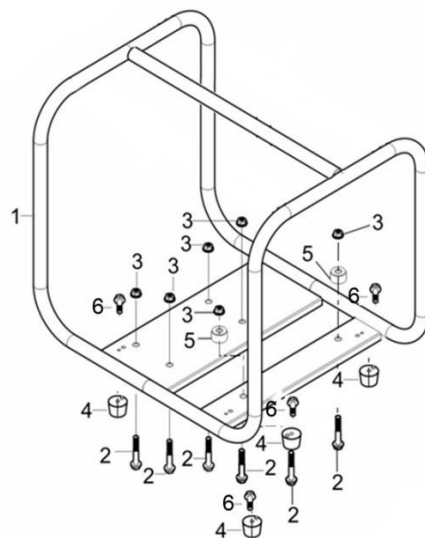
FIG.15 PUMP ASSY, WATER (E15)



REF.NO.	PART NO	DESCRIPTION	Q'TY
HY101-E15-1	90001-1030-01	BOLT	4
HY101-E15-2	70108-V030510-0000	OUTLET , WATER	1
HY101-E15-3	70109-V030210-0000	GASKET , INLET WATER	1
HY101-E15-4	70105-V030510-0000	PUMP BODY	1
HY101-E15-5	90001-1030-01	BOLT	4
HY101-E15-6	90007-V030210-0000	BOLT	4
HY101-E15-7	90409-V010210-0000	WASHER	4

HY101-E15-8	70300-V030210-0000	SEAL ASSY, MECHANISM	1
HY101-E15-9	70309-V030210-0000	SEAL,PORCELAIN	1
HY101-E15-10	70125-V030210-0000	RING, IMPELLER SEAL	1
HY101-E15-11	90522-V030210-0000	KEY	1
HY101-E15-12	70118-V030610-0000	JOINT, WATER PUMP	1
HY101-E15-13	70119-V030210-0000	CUSHION, WATER PUMP JOINT	1
HY101-E15-14	90409-V030110-0000	WASHER	1
HY101-E15-15	90102-V030310-0000	BOLT	1
HY101-E15-16	70102-Z030510-0000	IMPELLER, WATER PUMP	1
HY101-E15-17	70103-V030310-0000	CASE, WHORL	1
HY101-E15-18	70104-V030210-0000	RIGN , WHORL CASE SEALING	1
HY101-E15-19	70122-V010210-0000	WASHER, SCREW PLUG	2
HY101-E15-20	70107-V010210-0000	PLUG, THREAD	2
HY101-E15-21	70115-V030210-0000	GASKET , INLET WATER	1
HY101-E15-22	70116-V030510-0000	INLET, WATER	1
HY101-E15-23	90001-1030-01	BOLT	4
HY101-E15-24	70131-V030210-0000	RING, HOSE JOINT SEAL	2
HY101-E15-25	70111-V030510-0000	JOINT, HOSE	2
HY101-E15-26	70112-V030310-0000	INTERFACE, HOSE	2
HY101-E15-27	70114-V030210-0000	FILTER	1
HY101-E15-28	70113-V030310-0000	COVER, FILTER	1
HY101-E15-29	70400-V030310-0000	HOOP ASSY, HOSE	3
HY101-E15-30	70100-V031510-0K00	PUMP ASSY, WATER	1

FIG.16 FRAME ASSY, ENGINE/WHEEL ASSY, FRONT/SUB-ASSEMBLY, COMP, HANDLE TUBE (E16)



REF.NO.	PART NO	DESCRIPTION	Q'TY
HY101-E16-1	51100-V031310	FRAME ASSY, ENGINE	1
HY101-E16-2	90002-1035-01	BOLT	6
HY101-E16-3	90305-Z010210-01	NUT	6
HY101-E16-4	51014HY450110-0000	SEAT, ENGINE FRAME SHOCK ABSORPTION	4
HY101-E16-5	51146-V030110-0000	SEAT, WATER PUMP	2
HY101-E16-6	90001-0610-01	BOLT	4