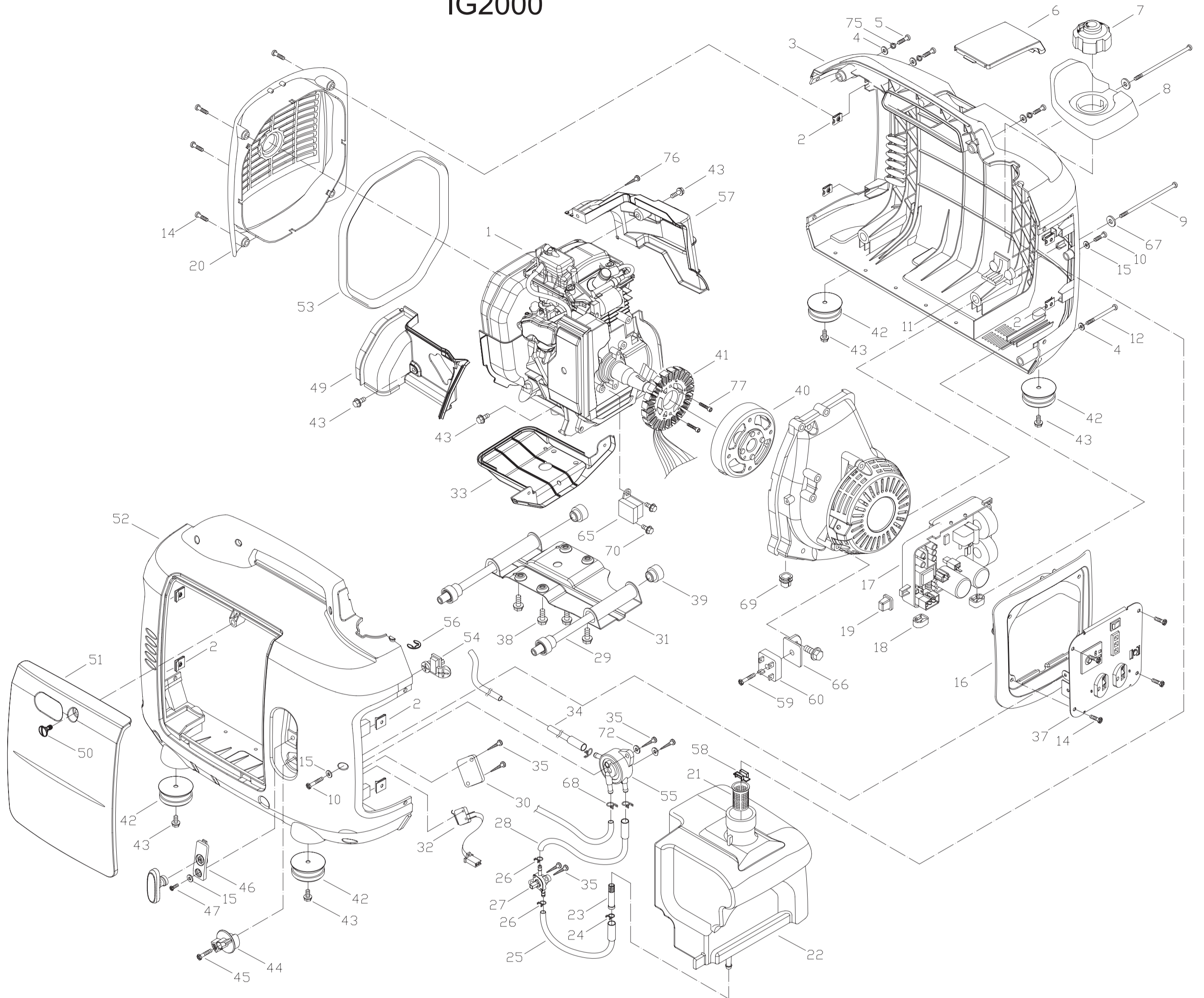
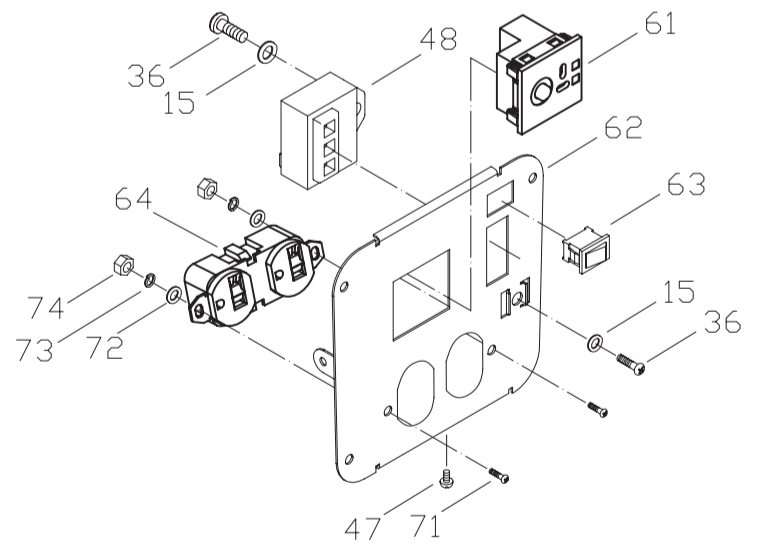


ASSEMBLY AND PARTS DRAWING

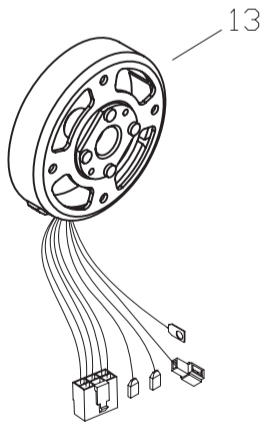
IG2000



Control Panel Assembly IG2000-13100



**Motor Assembly
KD(M)20(A)-02000**



No.	Part No.	Description	Qty.	No.	Part No.	Description	Qty.	No.	Part No.	Description	Qty.	No.	Part No.	Description	Qty.	No.	Part No.	Description	Qty.
1	KG158-00000	KG158 Gasoline Engine Assembly	1	17	DU20	Inverter Unit	1	33	KGE2000Ti-04300	Conduct Plate of Lower Air Duct	1	49	KGE2000Ti-04200	Inlet Conduct Plate	1	65	KGE2000Ti-13601	Trigger	1
2	KGE1000Ti-06115	Plug-in	8	18	KGE1000Ti-00008	Module Shock Pad	2	34	KGE2000Ti-07003	Fuel Pipe (Vacuum Pump-Carburetor)	1	50	KGE1000Ti-00006	Screw M6 (Blacken)	1	66	KGE2000Ti-13340	Rectifier Bracket	1
3	KGE2000TiA-03300	Right Case and Inlays	1	19	KGE1000Ti-00004	Rubber Square Protection Bracket	1	35	GB/T845-1985	Self-tapping Screw ST3.8X16	6	51	KGE2000Ti-03500	Side Door Subassembly	1	67	GB/T96.1-2002	Big Washer 6	2
4	GB/T97.1-2002	Washer 6	4	20	KGE2000Ti-03200	Rear Cover and Inlays	1	36	GB/T818-2000	Plus Screw M5X12	2	52	KGE2000TiA-03400	Left Case and Inlays	1	68	KGE1000Ti-07007	Hoop 9	3
5	GB/T818-2000	Plus Screw M6X20	3	21	KGE1000Ti-07011	Filter Cup	1	37	IG2000-13100	Control Panel Assembly	1	53	KGE2000Ti-03001	Rear Cover Seal Strip	1	69	KGE2000Ti-04400	Motor Wire Outlet Seal Washer	1
6	KGE2000Ti-03600	Top Cover Assembly	1	22	KGE2000Ti-07001	Fuel Tank	1	38	GB/T5789-2000	Hexagonal Flange Bolt M8X30	4	54	KGE1000Ti-06101	Cross Protection Bracket of Left Case	1	70	GB/T5789-2000	Hexagonal Flange Bolt M5X12	2
7	KGE1000Ti-07200	Fuel Tank Cover Parts	1	23	KGE1000Ti-07004	Strainer	1	39	KGE2000Ti-12101b	Shock Absorption Sleeve	4	55	KGE1000Ti-07100	Fuel Vacuum Pump Part	1	71	GB/T818-2000	Plus Screw M4X16	2
8	KGE2000Ti-07005	Fuel Filler Washer	1	24	KGE1000Ti-07012	Hoop 10	1	40	KD(M)20(A)-02200	Rotor Assembly	1	56	GB/T896-1986	Split Washer 9	1	72	GB/T97.1-2002	Washer 4	4
9	KGE2000Ti-03002	Hexagonal Groove Bolt M6X180	2	25	KGE1000Ti-07001	Fuel Pipe (Fuel Tank-Fuel Switch)	1	41	KD(M)20(A)-02100	Stator Assembly	1	57	KGE2000Ti-04100	Exhaust Conduct Plate	1	73	GB/T93-1987	Plastic Washer 4	2
10	GB/T818-2000	Plus Screw M5X25	2	26	KGE1000Ti-07006	Hoop 7	2	42	KGE2000Ti-03004	Foot Gasket	4	58	KGE1000Ti-07013	Fuel Indicator	1	74	GB/T41-2000	Hexagonal Nut M4	2
11	KGE1000Ti-06301	Cross Protection Bracket of Right Case	1	27	KGE1000Ti-07300	Fuel Switch Assembly	1	43	GB/T5789-2000	Hexagonal Flange Bolt M6X12	7	59	GB/T818-2000	Plus Screw M5X20	1	75	GB/T93-1987	Plastic Washer 6	3
12	KGE2000Ti-03003	Hexagonal Groove Bolt M6X70	1	28	KGE2000Ti-07002	Fuel Pipe (Fuel Switch-Vacuum Pump)	1	44	KGE1000Ti-07008	Oil Switch Handle	1	60	KBPC2510	Rectifier	1	76	GB/T845-1985	Screw ST2.9X12	1
13	KD(M)20(A)-02000	Motor Assembly	1	29	KGE2000Ti-12102a	Vacuum Shaft	2	45	KGE1000Ti-07304	Screw	1	61	WZ-22	DC Receptacle	1	77	GB/T70.1-2000	Inner Hexagonal Screw M5X30	2
14	GB/T818-2000	Plus Screw M5X16 (Blacken)	8	30	KGE3000Ti-03017	Micro-switch Baffle	1	46	KGE1000Ti-06102	Handle Fixed Seat	1	62	IG2000-13110	Control Panel	1	78			
15	GB/T97.1-2002	Washer 5	5	31	KGE2000Ti-12110a	Engine Fixed Plate Weldment	1	47	GB/T818-2000	Plus Screw M5X10	2	63	RF-1003-BB2	Boat-shaped Switch	1	79			
16	KGE2000Ti-03009	Front Cover	1	32	KW4A-Z6CSF200	Micro-switch	1	48	KI-DHQ-20	Three-in-One Ignitor	1	64	5-20R	A-Type Doublet Receptacle	1	80			