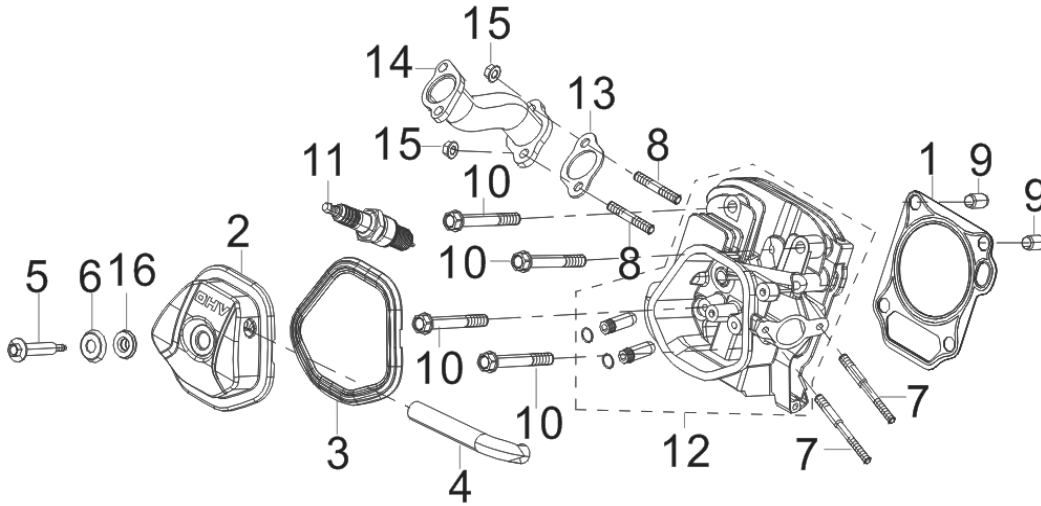


HHY 7010 F

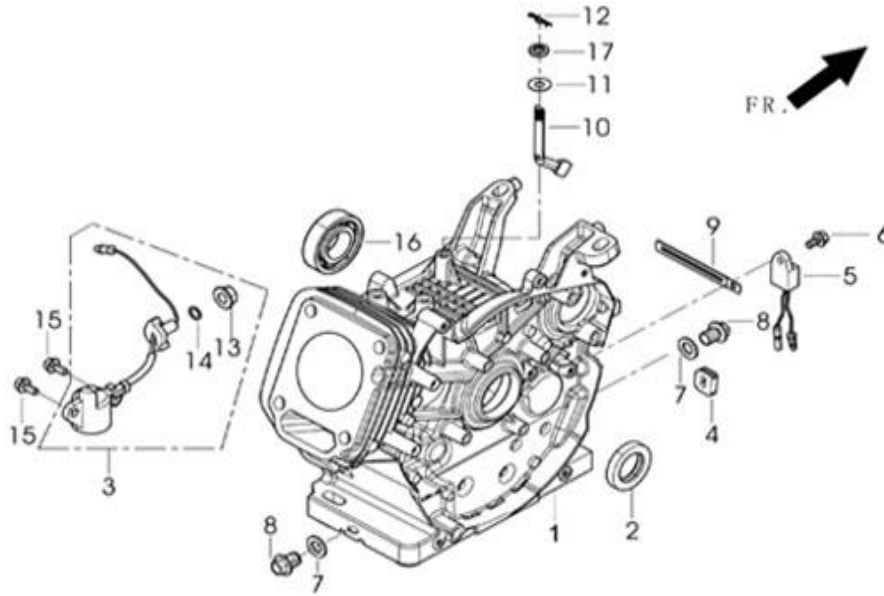
HYUNDAI

FIG.1 CYLINDER HEAD , CYLINDER COVER ASSY (E01)



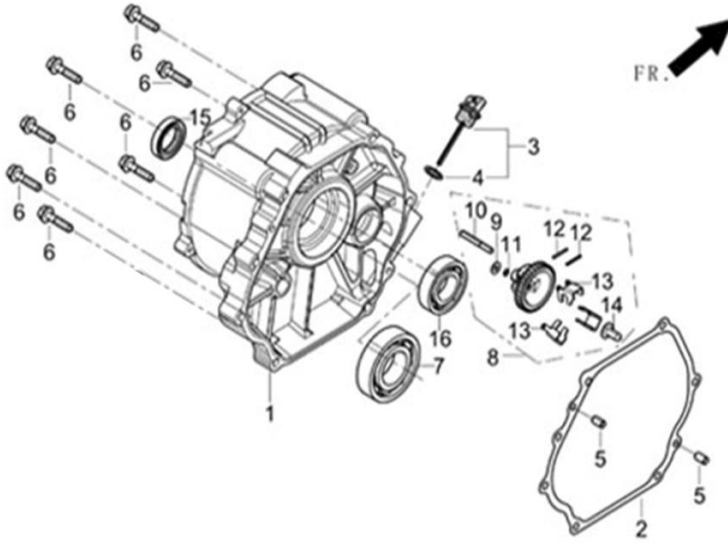
REF.NO.	PART NO	DESCRIPTION	Q'TY
HHY7010F-E01-1	12131-Z100110-0000	GASKET, CYLINDER HEAD	1
HHY7010F-E01-2	12410-Z310110-0000	COVER SUBASSEMBLY, CYLINDER HEAD	1
HHY7010F-E01-3	12004-Z080110-0000	GASKET, CYLINDER HEAD COVER	1
HHY7010F-E01-4	17004-Z080320-0000	TUBE, BREATHER	1
HHY7010F-E01-5	12032-Z080110-0100	BOLT, CYLINDER HEAD	1
HHY7010F-E01-6	12031-Z080110-0100	GASKET, CYLINDER HEAD COVER	1
HHY7010F-E01-7	90204-Z100410-0000	STUD	2
HHY7010F-E01-8	90203-Z010110-0000	STUD	2
HHY7010F-E01-9	90502-1220-00	PIN	2
HHY7010F-E01-10	12003-Z080110-0000	BOLT, CYLINDER HEAD	4
HHY7010F-E01-11	30010-Z010110-0000	PLUG, SPARK	1
HHY7010F-E01-12	12140-Z190150-0B99	HEAD SUBASSEMBLY, CYLINDER	1
HHY7010F-E01-13	18001-Z080110-0000	GASKET, EXHAUST OUTLET	1
HHY7010F-E01-14	18150-Z100810-0000	PIPE, EXHAUST	1
HHY7010F-E01-15	90303-0800-31	NUT	2
HHY7010F-E01-16	12033-Z080110-0000	GASKET, CYLINDER HEAD COVER BOLT	1

FIG.2 CRANKCASE (E02)



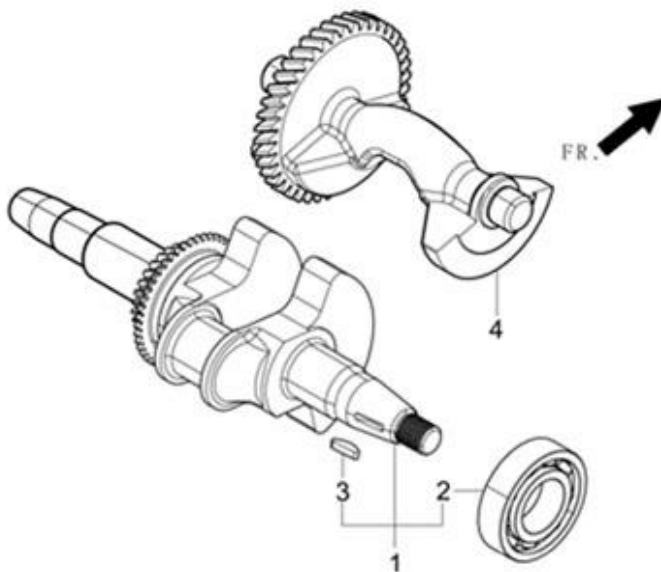
REF.NO.	PART NO	DESCRIPTION	Q'TY
HHY7010F-E02-1	11310-Z100710-0B00	CRANKCASE SUBASSEMBLY.	1
HHY7010F-E02-2	90682-Z310110-0000	SEAL, OIL	1
HHY7010F-E02-3	37060-Z080120-0000	SENSOR, ENGINE OIL	1
HHY7010F-E02-4	28101-Z080110-0000	PLUG, RUBBER	1
HHY7010F-E02-5	37050-Z010210-0000	PROTECTOR, OIL	1
HHY7010F-E02-6	90001-0612-01	BOLT	1
HHY7010F-E02-7	90412-Z080110-0000	WASHER	2
HHY7010F-E02-8	11007-Z080110-0000	BOLT, DRAIN PLUG	2
HHY7010F-E02-9	90684-Z030120-0000	CLIP	1
HHY7010F-E02-10	16061-Z100110-0000	ARM, GOVERNOR	1
HHY7010F-E02-11	90412-Z080210-0000	WASHER	1
HHY7010F-E02-12	90501-Z010110-0000	PIN	1
HHY7010F-E02-13	90305-Z010210-01	NUT	1
HHY7010F-E02-15	90001-0616-01	BOLT	2
HHY7010F-E02-16	90548-0202-CL	BEARING	1
HHY7010F-E02-17	90682-Z100210-0000	SEAL, OIL	1

FIG.3 COVER, CRANKCASE (E03)



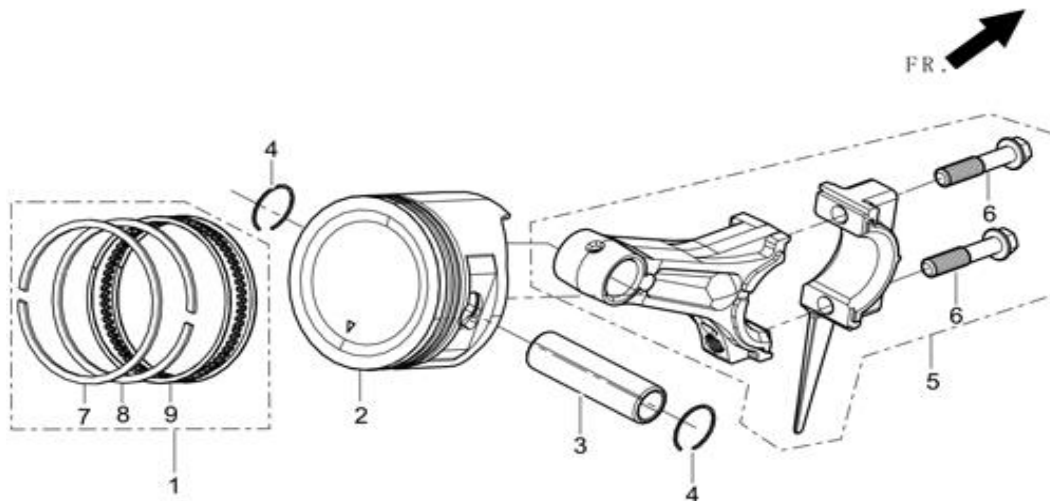
REF.NO.	PART NO	DESCRIPTION	Q'TY
HHY7010F-E03-1	11411-Z100610-0B00	COVER, CRANKCASE	1
HHY7010F-E03-2	11001-Z100120-0000	GASKET, CRANKCASE	1
HHY7010F-E03-3	15010-Z080330-Q500	CAP COMP., OIL FILLER(YELLOW)	1
HHY7010F-E03-5	90502-0812-00	PIN	2
HHY7010F-E03-6	90001-0840-01	BOLT	7
HHY7010F-E03-7	90548-0207-CL	BEARING	1
HHY7010F-E03-8	16400-Z100110-0000	GEAR ASSY, GOVERNOR	1
HHY7010F-E03-15	90682-Z310110-0000	OIL SEAL	1
HHY7010F-E03-16	90548-0202-CL	BEARING	1

FIG.4 CRANKSHAFT ASSY.(E04)



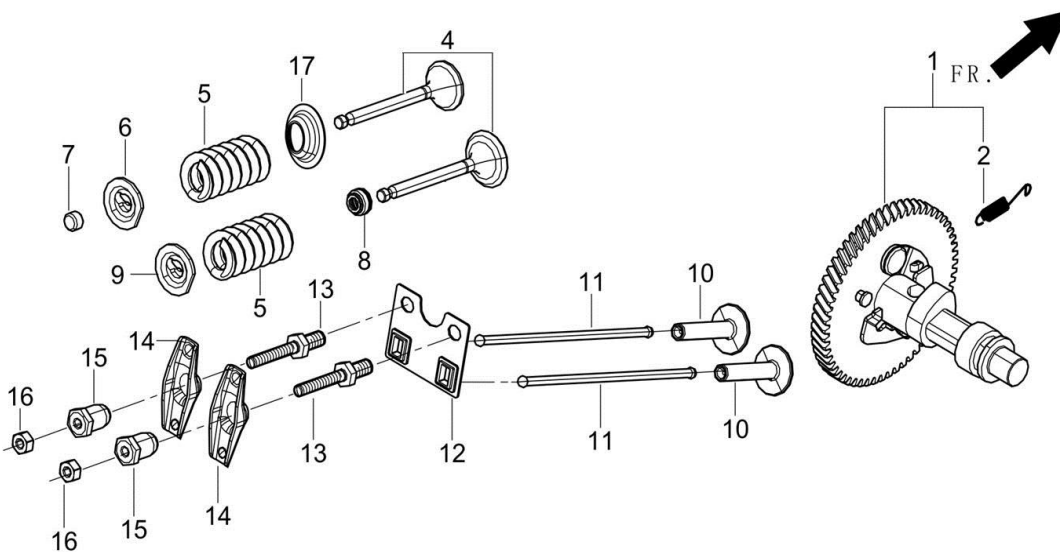
REF.NO.	PART NO	DESCRIPTION	Q'TY
HHY7010F-E04-1	13300-Z100110-0000	CRANKSHAFT ASSY.	1
HHY7010F-E04-2	13401-Z100110-0000	WEIGHT, BALANCER	1

FIG.5 PISTON/CONNECTING ROD (E05)



REF.NO.	PART NO	DESCRIPTION	Q'TY
HHY7010F-E05-1	13200-Z310110-0000	PISTON RINGS SET	1
HHY7010F-E05-2	13111-Z310110-0000	PISTON	1
HHY7010F-E05-3	13121-Z100110-0000	PIN, PISTON	1
HHY7010F-E05-4	13122-Z100110-0000	CLIP, PISTON PIN	2
HHY7010F-E05-5	13010-Z100120-0000	ROD, CONNECTING	1

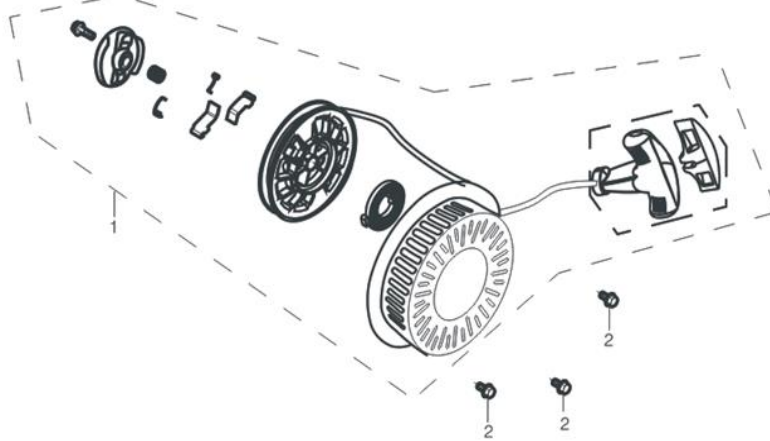
FIG.6 CAMSHAFT ASSY. (E06)



REF.NO.	PART NO	DESCRIPTION	Q'TY
HHY7010F-E06-1	14200-Z100110-0000	CAMSHAFT ASSY.	1
HHY7010F-E06-4	12110-Z190110-0099	VALVE	1
HHY7010F-E06-5	12103-Z080110-0000	SPRING, VALVE	2
HHY7010F-E06-6	12107-Z080110-0000	RETAINER , EXHAUST VALVE	1
HHY7010F-E06-7	12104-Z080110-0000	ROTATOR, VALVE	1
HHY7010F-E06-8	12101-Z080110-0000	GUIDE, SEAL	1
HHY7010F-E06-9	12112-Z080110-0000	SEAT, VALVE SPRING	1
HHY7010F-E06-10	14081-Z080110-0000	TAPPET, VALVE	2
HHY7010F-E06-11	14070-Z100110-0000	LIFTER SUBASSEMBLY, VALVE	2
HHY7010F-E06-12	14090-Z080110-0000	PLATE SUBASSEMBLY, LIFTER STOPPER	1
HHY7010F-E06-13	14313-Z010110-0000	BOLT, VALVE ADJUSTING	2

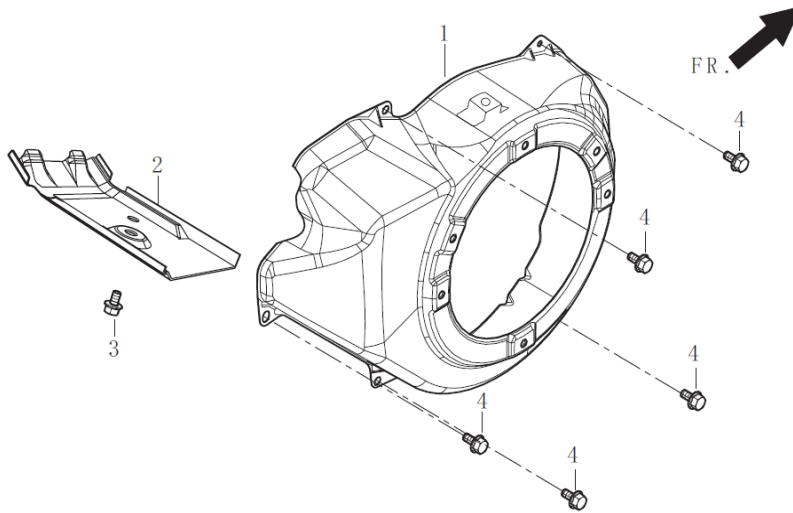
HHY7010F-E06-14	14311-Z080110-0000	ROCKER, VALVE	2
HHY7010F-E06-15	14314-Z010110-0000	NUT , VALVE ADJUSTING	2
HHY7010F-E06-16	14312-Z010110-0000	NUT, VALVE LOCK	2
HHY7010F-E06-17	12105-Z080110-0000	RETAINER, VALVE SPRING	1

FIG.7 STARTER (E07)



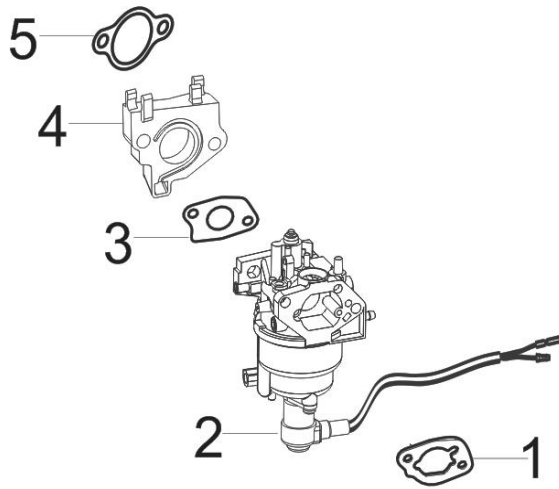
REF.NO.	PART NO	DESCRIPTION	Q'TY
HHY7010F-E07-1	28200-Z190410-H700	STARTER ASSY, RECOIL	3
HHY7010F-E07-2	90001-0608-01	BOLT	1

FIG.8 SHROUD (E08)



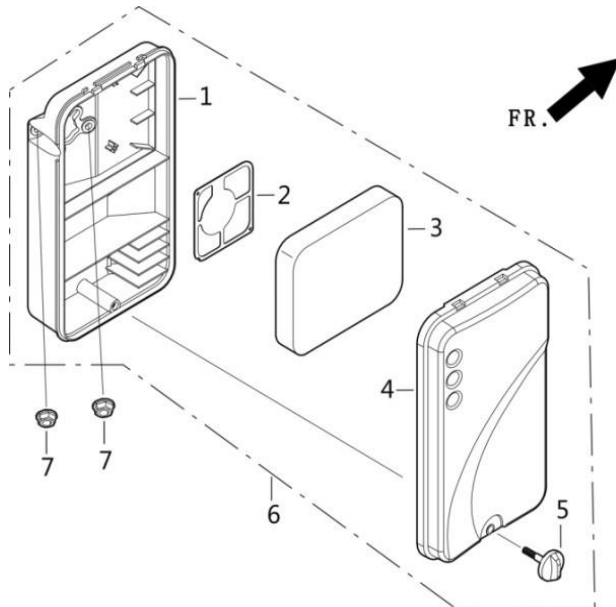
REF.NO.	PART NO	DESCRIPTION	Q'TY
HHY7010F-E08-1	28110-Z310110-H700	SHROUD	1
HHY7010F-E08-2	19304-Z100210-0000	SHROUD, CYLINDER BODY	1
HHY7010F-E08-3	90001-0612-01	BOLT	1
HHY7010F-E08-4	90001-0612-01	BOLT	5

FIG.9 CARBURETOR ASSY.(E09)



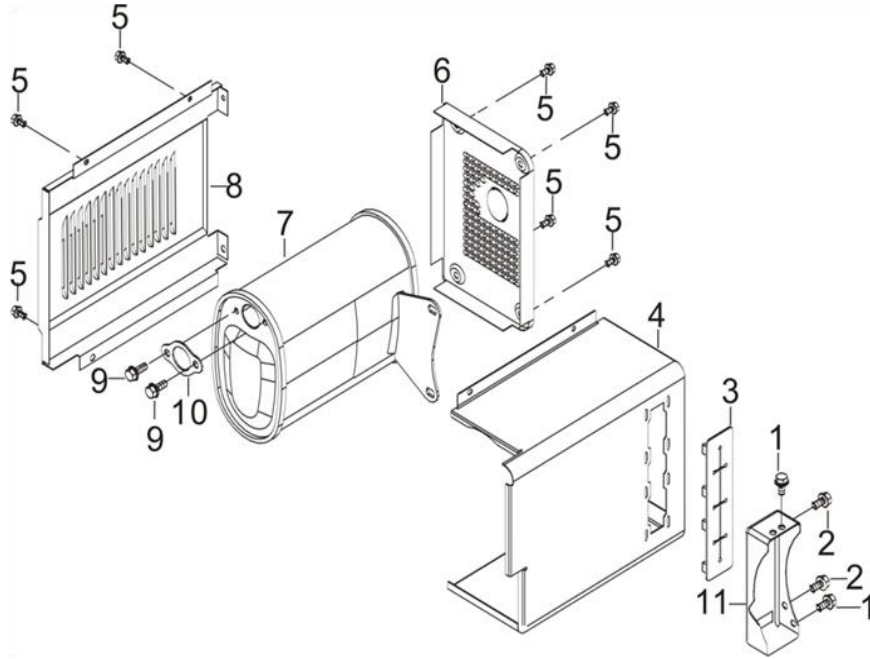
REF.NO.	PART NO	DESCRIPTION	Q'TY
HHY7010F-E11-1	16100-Z100510-0000	CARBURETOR ASSY.	1
HHY7010F-E11-2	17001-Z080410-0000	GASKET, AIR CLEANER	2
HHY7010F-E11-3	16001-Z100310-0000	GASKET, CARBURETOR	1
HHY7010F-E11-4	16003-Z100110-0000	PLATE, CARBURETOR INSULATOR	1
HHY7010F-E11-5	17002-Z100310-0000	GASKET, INLET	1

FIG.10 AIR CLEANER (E10)



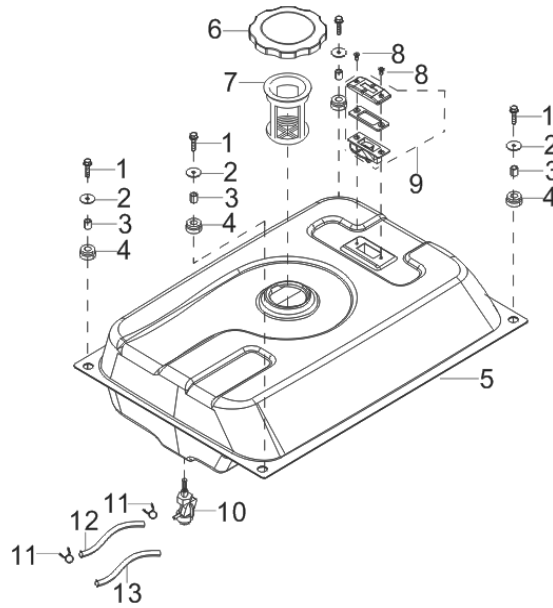
REF.NO.	PART NO	DESCRIPTION	Q'TY
HHY7010F-E10-6	17100-Z310210-0000	CLEANER,AIR	1
HHY7010F-E10-7	90305-0600-31	WASHER	2

FIG.11 MUFFLER ASSY.(E11)



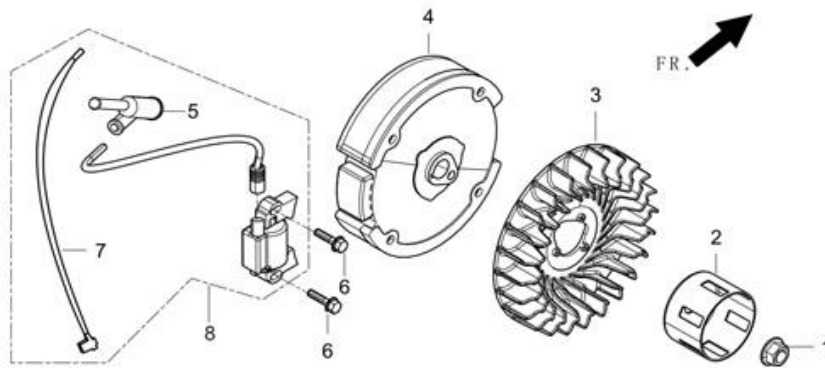
REF.NO.	PART NO	DESCRIPTION	Q'TY
HHY7010F-F04-1	90001-0816-01	BOLT	2
HHY7010F-F04-2	90001-0816-01	BOLT	2
HHY7010F-F04-3	18005-Y030120-0000	CUSHION, MUFFLER INSULATOR RUBBER	1
HHY7010F-F04-4	18003HY030410-H300	COVER, MUFFLER INNER	1
HHY7010F-F04-5	90007-0616-A1	BOLT	7
HHY7010F-F04-6	18002-Y030110-H300	COVER, MUFFLER SIDE	1
HHY7010F-F04-7	18100-Y030920-0000	MUFFLER ASSY.	1
HHY7010F-F04-8	18130-Y030110-H300	COVER, MUFFLER OUTER	1
HHY7010F-F04-9	90001-0830-01	BOLT	2
HHY7010F-F04-10	18001-Z080110-0000	GASKET, EXHAUST OUTLET	1
HHY7010F-F04-11	18030-Y730110-0000	BRACKET,MUFFLER	1

FIG.12 TANK, FUEL (E12)



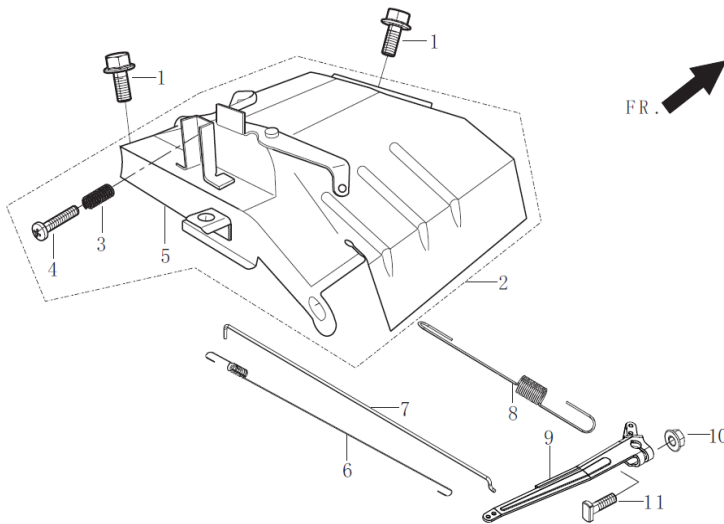
REF.NO.	PART NO	DESCRIPTION	Q'TY
HHY7010F-F01-1	90007-0625-A1	BOLT	4
HHY7010F-F01-2	90408-Y020310-0000	WASHER	4
HHY7010F-F01-3	90683-Y020110-0000	BUSH	4
HHY7010F-F01-4	16601-Y020120-0000	SLEEVE, FUEL TANK RUBBER	4
HHY7010F-F01-5	16620-Y030420-H708	TANK, FUEL	1
HHY7010F-F01-6	16730-Y020210-0000	COVER, FUEL TANK	1
HHY7010F-F01-7	16652-Y020120-0000	STRAINER , FUEL	1
HHY7010F-F01-8	90104-0512-53	SCREW	2
HHY7010F-F01-9	37200-Y020210-H300	LEVELER ASSY, OIL	1
HHY7010F-F01-10	16750-Y020210-0000	COCK ASSY, FUEL	1
HHY7010F-F01-11	90740-Z010210-0000	COLLAR	1
HHY7010F-F01-12	90686-Z080410-0000	TUBE, FUEL	1
HHY7010F-F01-13	30431-Y030110-0000	GASKET, FUEL TANK RUBBER	2

FIG.13 FLYWHEEL SUBASSEMBLY (E13)



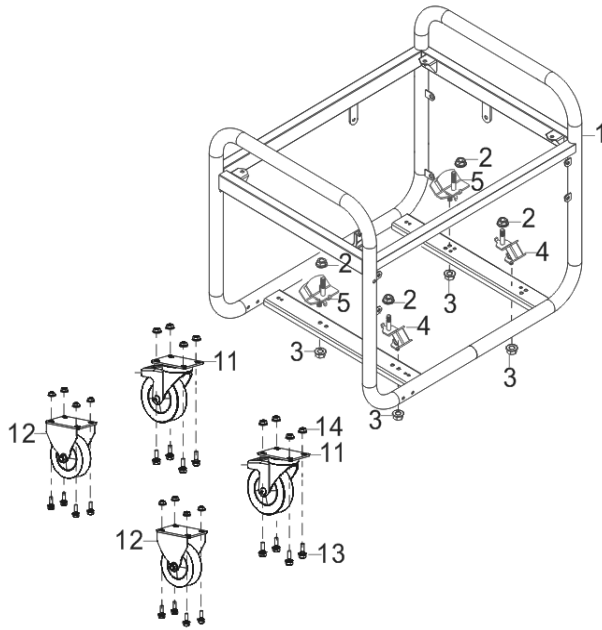
REF.NO.	PART NO	DESCRIPTION	Q'TY
HHY7010F-E11-1	13501-Z080110-0000	NUT, FLYWHEEL	1
HHY7010F-E11-2	28002-Z100210-0000	PULLEY,STARTER	1
HHY7010F-E11-3	19352-Z100310-0000	IMPELLER	1
HHY7010F-E11-4	13510-Z100120-0000	FLYWHEEL SUBASSEMBLY	1
HHY7010F-E11-6	90001-0628-01	BOLT	2
HHY7010F-E11-8	30400-Z080310-0100	COIL, IGNITION	1

FIG.14 CONTORL ASSY.(E14)



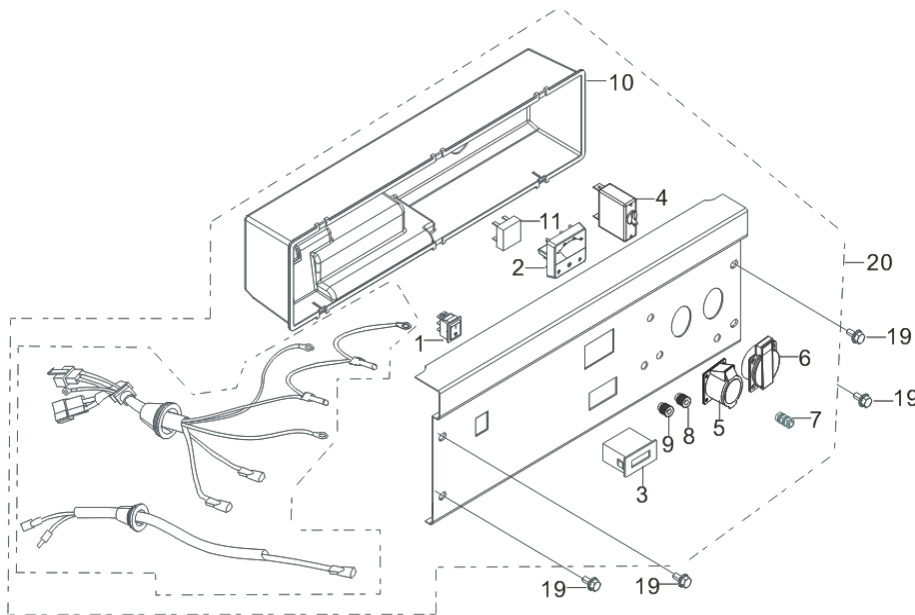
REF.NO.	PART NO	DESCRIPTION	Q'TY
HHY7010F-E12-1	90001-0612-01	BOLT, GOVERNOR SUPPORT	2
HHY7010F-E12-2	16520-Z100220-0000	CONTROL ASSY, THROTTLE	1
HHY7010F-E12-6	16012-Z080110-0000	SPRING, THROTTLE VALVE RETURNING	1
HHY7010F-E12-7	16062-Z100110-0000	ROD, GOVERNEOR	1
HHY7010F-E12-8	16063-Z100310-0000	SPRING, GOVERNOR	1
HHY7010F-E12-9	16070-Z100120-0000	SUPPORT SUBASSEMBLY, GOVERNOR	1
HHY7010F-E12-10	90305-0600-31	NUT	1
HHY7010F-E12-11	16072-Z010110-0000	BOLT, GOVERNOR SUPPORT	1

FIG.15 FRAME, ENGINE (E15)



REF.NO.	PART NO	DESCRIPTION	Q'TY
HHY7010F-E15-1	51100-YAL0310-H7L0	FRAME ASSY, ENGINE	1
HHY7010F-E15-2	90306-1000-31	NUT	4
HHY7010F-E15-3	90305-0800-31	NUT	4
HHY7010F-E15-4	51005HY030120-0000	CUSHION, ENGINE FRAME	2
HHY7010F-E15-5	51012HY030120-0000	CUSHION, ENGINE FRAME REAR	2
HHY7010F-E15-11	40060-Y9V0110-0000	WHEEL	2
HHY7010F-E15-12	40091HY9V0110-0000	WHEEL	2
HHY7010F-E15-13	90001-0816-01	BOLT	16
HHY7010F-E15-14	90305-0800-31	NUT	16

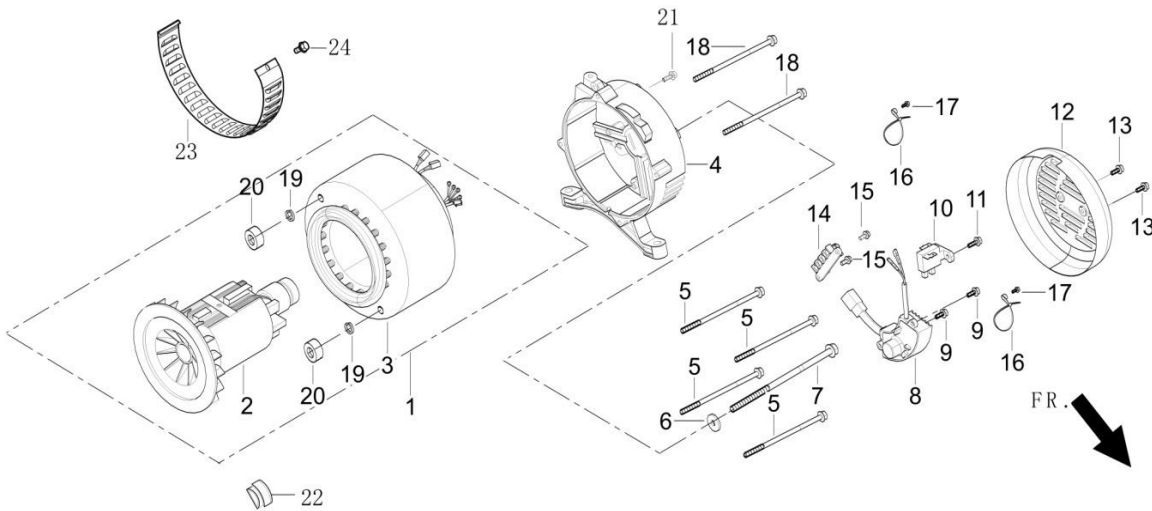
FIG.16 PANEL SUBASSEMBLY, CONTROL (E16)



REF.NO.	PART NO	DESCRIPTION	Q'TY
HHY7010F-E16-1	35160-Y020110-0000	SWITCH SUBASSEMBLY	1
HHY7010F-E16-2	37114-Y450110-0000	VOLTMETER	1
HHY7010F-E16-3	35632-Y130110-0000	VFT METER	1
HHY7010F-E16-4	35645-Y030110-0000	BREAKER	1

HHY7010F-E16-5	35614-Y510110-0000	SOCKET SUBASSEMBLY, POWER SUPPLY	1
HHY7010F-E16-6	35614-Y020110-0000	SOCKET SUBASSEMBLY, POWER SUPPLY	1
HHY7010F-E16-7	35629-Y090110-0000	TERMINAL SUBASSEMBLY, GROUNDING	1
HHY7010F-E16-8	35634-Y020110-0000	TERMINAL, NEGATIVE ELECTRODE	1
HHY7010F-E16-9	35633-Y020110-0000	TERMINAL, POSITIVE ELECTRODE	1
HHY7010F-E16-10	35601-YAL0210-0000		1
HHY7010F-E16-11	35621-Y020110-0000	BRIDGE, RECTIFICATION	1
HHY7010F-E16-19	90007-0612-A1	BOLT	4
HHY7010F-E16-20	35610-YAL0210-H300	PANEL SUBASSEMBLY, CONTROL	1
HHY7010F-E16-21	35552-Y030110-0000	KEY, STOP ENGINE SWITCH	1

FIG.17 ROTOR/STATOR (E17)



REF.NO.	PART NO	DESCRIPTION	Q'TY
HHY7010F-E17-1	31300-Y033310-0000	MOTOR ASSY.	1
HHY7010F-E17-4	30021-Y030310-0000	BRACKET, MOTOR	1
HHY7010F-E17-5	30048-Y030120-0000	BOLT , STATOR	4
HHY7010F-E17-6	90408-Y030110-0000	WASHER	1
HHY7010F-E17-7	30049-Y030120-0000	BOLT , ROTOR	1
HHY7010F-E17-8	30060-Y030120-0000	REGULATOR, VOLTAGE	1
HHY7010F-E17-9	90001-0516-01	BOLT	2
HHY7010F-E17-10	31320-Y030120-0000	BRUSH SUBASSEMBLY, CARBON	1
HHY7010F-E17-11	90001-0516-01	BOLT	1
HHY7010F-E17-12	30022-Y030110-H700	COVER, MOTOR TAIL	1
HHY7010F-E17-13	90001-0512-01	BOLT	2
HHY7010F-E17-14	31303HY020110-0000	BLOCK, TERMINAL	1
HHY7010F-E17-15	90001-0516-01	BOLT	2
HHY7010F-E17-16	90727-Y020110-0000	BAND	2
HHY7010F-E17-17	90001-0516-01	BOLT	2
HHY7010F-E17-18	31316-Y030130-0000	BOLT , STATOR	2
HHY7010F-E17-19	90403-0500-01	WASHER	2
HHY7010F-E17-20	31317-Y030110-0000	NUT , STATOR	2
HHY7010F-E17-21	90001-0512-01	BOLT	1
HHY7010F-E17-22	30023-Y030120-0000	STOPPER, MOTOR RIGHT COVER	1
HHY7010F-E17-23	30024-Y730110-0000	SHROUD, MOTOR	1
HHY7010F-E17-24	90001-0510-01	BOLT	1