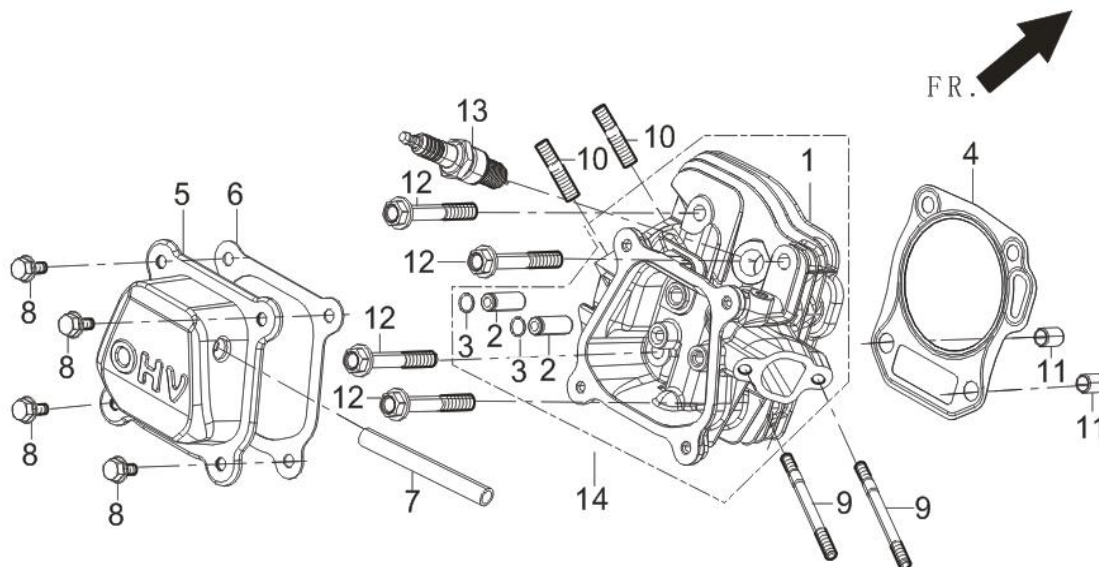
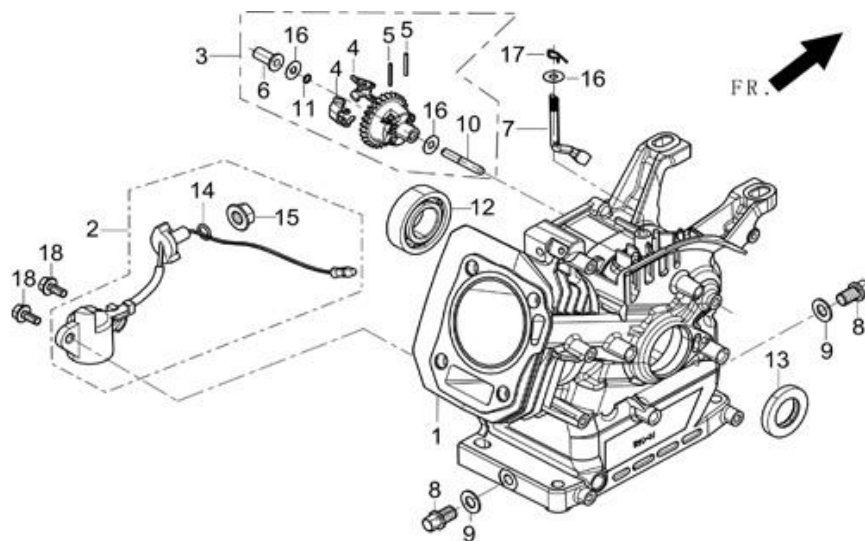


## FIG.1 HEAD SUBASSEMBLY, CYLINDER / PLUG, SPARK (E01)



REF.NO.	PART NO	DESCRIPTION	Q'TY
HYT81-E01-4	12131-Z140120-0000	GASKET, CYLINDER HEAD	1
HYT81-E01-5	12410-Z300120-0000	COVER SUBASSEMBLY, CYLINDER HEAD	1
HYT81-E01-6	12004-Z010110-0000	GASKET, CYLINDER HEAD COVER	1
HYT81-E01-7	17004-Z050210-0000	TUBE, BREATHER	1
HYT81-E01-8	90001-0612-01	BOLT	4
HYT81-E01-9	90204-Z010310-0000	STUD	2
HYT81-E01-10	90203-Z010110-0000	STUD	2
HYT81-E01-11	90502-1014-00	PIN	2
HYT81-E01-12	12003-Z010110-0000	BOLT, CYLINDER HEAD	4
HYT81-E01-13	30010-Z010110-0000	PLUG, SPARK	1
HYT81-E01-14	12140-Z300110-0000	HEAD SUBASSEMBLY, CYLINDER	1

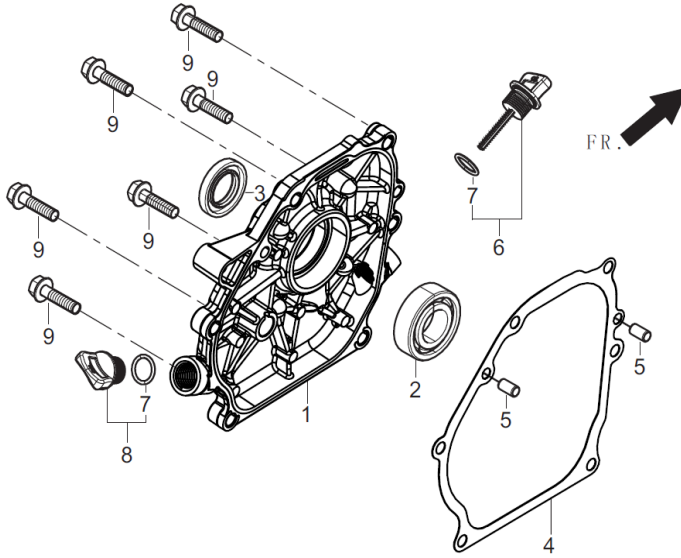
## FIG.2 CRANKCASE. / GEAR ASSY, GOVERNOR. (E02)



REF.NO.	PART NO	DESCRIPTION	Q'TY
HYT81-E02-1	11310-Z141710-0000	CRANKCASE ASSY.	1
HYT81-E02-2	37060-Z010120-0000	SENSOR, ENGINE OIL	1

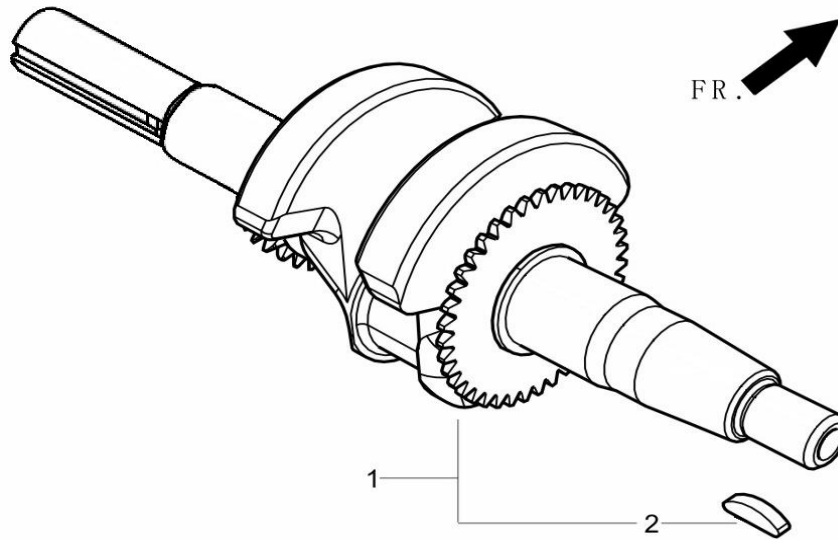
HYT81-E02-3	16400-Z010110-0000	GEAR ASSY, GOVERNOR	1
HYT81-E02-7	16061-Z010110-0000	ARM, GOVERNOR	1
HYT81-E02-8	11007-Z010110-0000	BOLT, DRAIN PLUG	2
HYT81-E02-9	90408-Z010110-0000	WASHER	2
HYT81-E02-12	90548-0205-CLOE	BEARING	1
HYT81-E02-13	90682-Z300110-0000	SEAL, OIL	1
HYT81-E02-15	90305-Z010210-01	NUT	1
HYT81-E02-16	90408-Z010210-0000	WASHER, GOVERNOR GEAR	1
HYT81-E02-17	90501-Z010110-0000	PIN	1
HYT81-E02-18	90001-0614-01	BOLT	2

### FIG.3 COVER SUBASSEMBLY, CRANKCASE (E03)



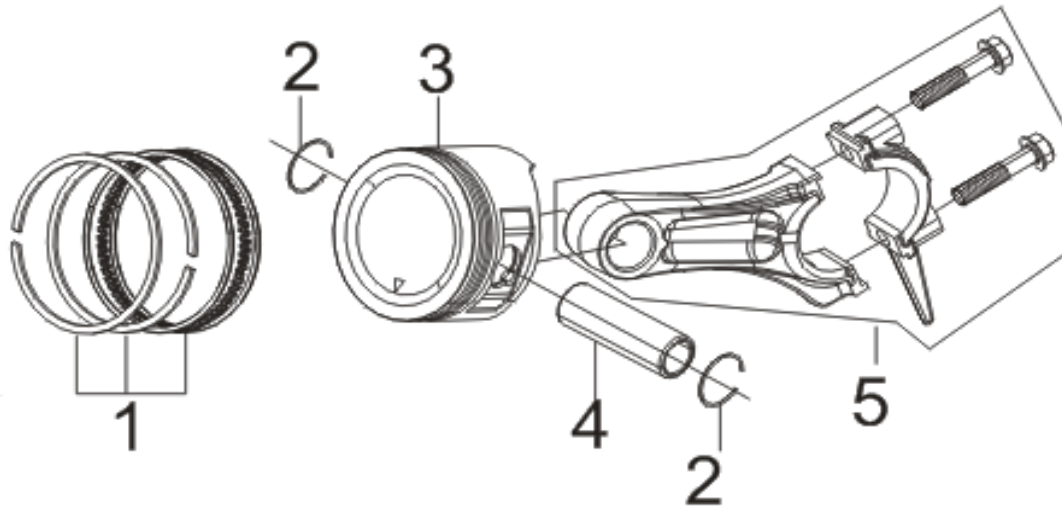
REF.NO.	PART NO	DESCRIPTION	Q'TY
HYT81-E03-1	11411-Z010710-0000	COVER, CRANKCASE	1
HYT81-E03-2	90548-0205-CLOE	BEARING	1
HYT81-E03-3	90682-Z300110-0000	SEAL, OIL	1
HYT81-E03-4	11001-Z010120-0000	GASKET, CRANKCASE	1
HYT81-E03-5	90502-0812-00	PIN	2
HYT81-E03-6	15010-Z010130-Q500	DIPSTICK SUBASSEMBLY, OIL	1
HYT81-E03-8	15030-Z010130-Q500	PLUG SUBASSEMBLY, ENGINE OIL	1
HYT81-E03-9	90001-0832-01	BOLT	6

## FIG.4 ROD,CRANKSHAFT CONNETING (E04)



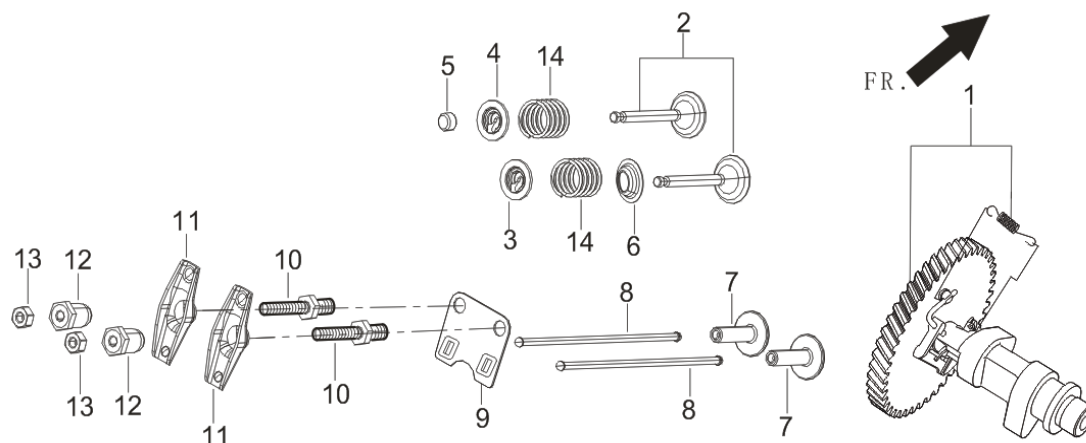
REF.NO.	PART NO	DESCRIPTION	Q'TY
HYT81-E04-1	13300-Z860310-0000	CRANKSHAFT ASSY.	1

## FIG.5 RING SET,OIL / ROD,CRANKSHAFT CONNETING ( E05 )



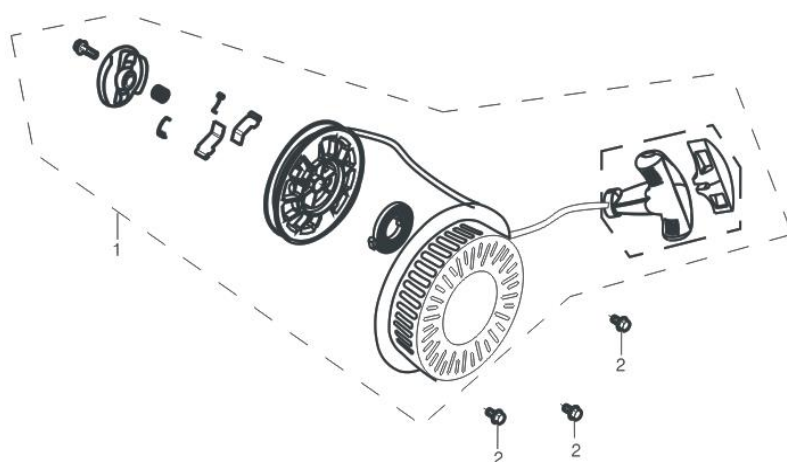
REF.NO.	PART NO	DESCRIPTION	Q'TY
HYT81-E05-1	13200-Z140210-0099	PISTON RINGS SET	1
HYT81-E05-2	13122-Z010110-0000	CLIP, PISTON PIN	2
HYT81-E05-3	13111-Z140220-0099	PISTON	1
HYT81-E05-4	13121-Z010110-0000	PIN, PISTON	1
HYT81-E05-5	13010-Z300110-0000	ROD, CONNECTING	1

## FIG.6 TRAIN,VALVE / CAMSHAFT SUBASSEMBLY ( E06 )



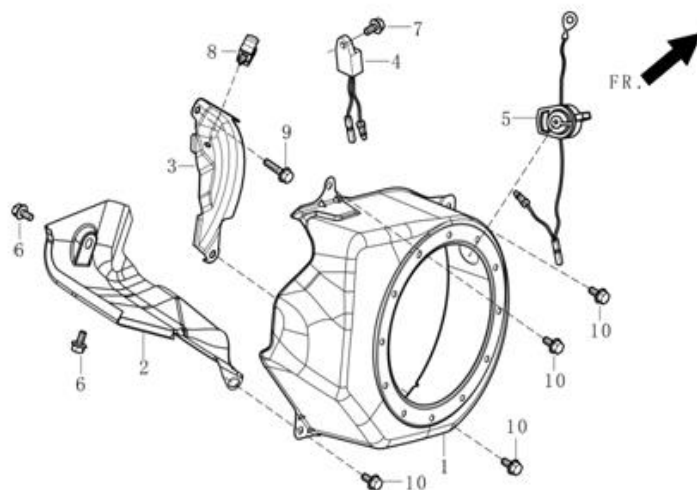
REF.NO.	PART NO	DESCRIPTION	Q'TY
HYT81-E06-1	14200-Z300310-0000	CAMSHAFT ASSY.	1
HYT81-E06-2	12110-Z010110-0000	VALVES SET	1
HYT81-E06-3	12112-Z010110-0000	SEAT, VALVE SPRING	1
HYT81-E06-4	12107-Z010110-0000	RETAINER , EXHAUST VALVE	1
HYT81-E06-5	12104-Z010110-0000	ROTATOR, VALVE	1
HYT81-E06-6	12101-Z010110-0000	GUIDE, SEAL	1
HYT81-E06-7	14081-Z040110-0000	TAPPET, VALVE	2
HYT81-E06-8	14071-Z440110-0000	LIFTER, VALVE	2
HYT81-E06-9	14090-Z010110-0000	PLATE SUBASSEMBLY, LIFTER STOPPER	1
HYT81-E06-10	14313-Z010110-0000	BOLT, VALVE ADJUSTING	2
HYT81-E06-11	14311-Z010110-0000	ROCKER, VALVE	2
HYT81-E06-12	14314-Z010110-0000	NUT , VALVE ADJUSTING	2
HYT81-E06-13	14312-Z010110-0000	NUT, VALVE LOCK	2
HYT81-E06-14	12103-Z010110-0000	SPRING, VALVE	2

## FIG.7 STARTER,RECOIL ( E07 )



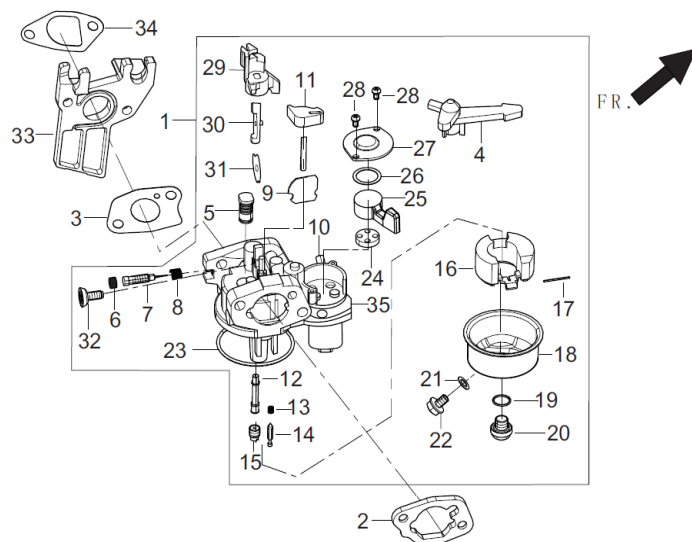
REF.NO.	PART NO	DESCRIPTION	Q'TY
HYT81-E07-1	28200-Z140510-H700	STARTER ASSY, RECOIL	1
HYT81-E07-2	90001-0608-01	BOLT	3

## FIG.8 SHROUD / SHIELD,LOWER ( E08 )



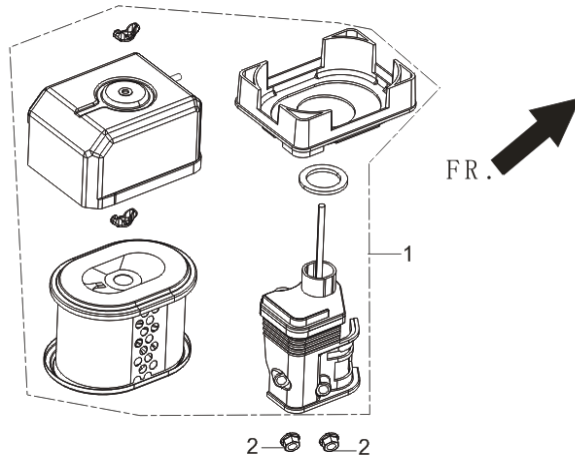
REF.NO.	PART NO	DESCRIPTION	Q'TY
HYT81-E08-1	28110-Z010410-H700	SHROUD	1
HYT81-E08-2	19304-Z010410-0000	SHROUD, CYLINDER BODY	1
HYT81-E08-3	19340-Z010510-0000	SHIELD,LOWER	1
HYT81-E08-4	37050-Z010210-0000	PROTECTOR, OIL	1
HYT81-E08-5	35540-Z060140-Q200	SWITCH SUBASSEMBLY, STOP ENGINE	1
HYT81-E08-6	90001-0610-01	BOLT	2
HYT81-E08-7	90001-0610-01	BOLT	1
HYT81-E08-8	90740-Z010110-0000	COLLAR	1
HYT81-E08-9	90001-0616-01	BOLT	1
HYT81-E08-10	90001-0612-01	BOLT	4

## FIG.9 CARBURETOR ASSY. ( E09 )



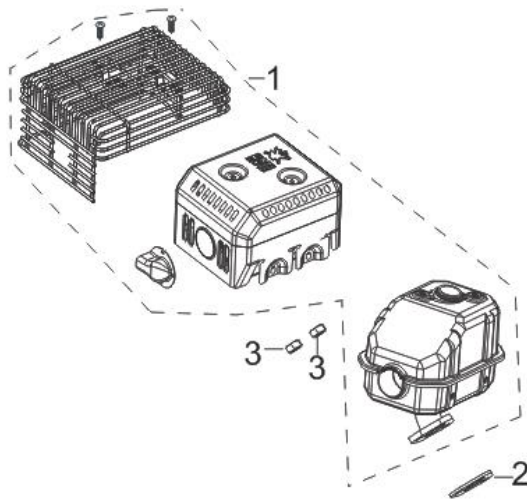
REF.NO.	PART NO	DESCRIPTION	Q'TY
HYT81-E09-1	16100-Z300510-0000	CARBURETOR ASSY.	1
HYT81-E09-2	17001-Z010210-0000	GASKET, AIR CLEANER	1
HYT81-E09-3	16001-Z010110-0000	GASKET, CARBURETOR	1
HYT81-E09-33	16003-Z010110-0000	PLATE, CARBURETOR INSULATOR	1
HYT81-E09-34	16002-Z010110-0000	GASKET, CARBURETOR INSULATOR	1

## FIG.10 CLEANER, AIR ( E10 )



REF.NO.	PART NO	DESCRIPTION	Q'TY
HYT81-E10-1	17100-Z010210-0000	CLEANER, AIR	1
HYT81-E10-2	90305-0600-31	NUT	2

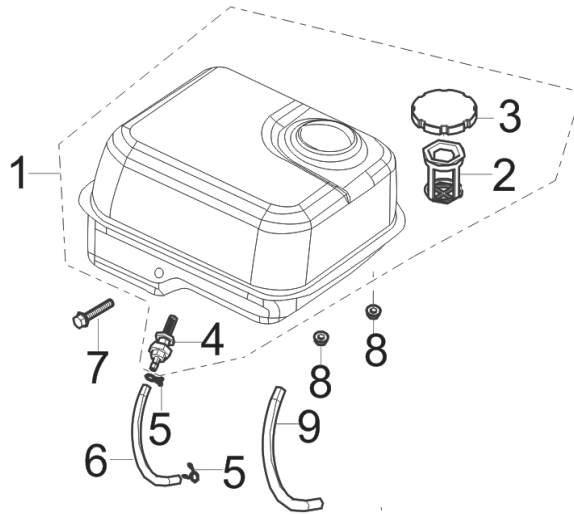
## FIG.11 MUFFLER ASSY. ( E11 )



REF.NO.	PART NO	DESCRIPTION	Q'TY
HYT81-E11-1	18100-Z012310-H300	MUFFLER ASSY	1
HYT81-E11-2	18001-Z010110-0000	GASKET, EXHAUST OUTLET	1
HYT81-E11-3	90303-0800-31	NUT	2

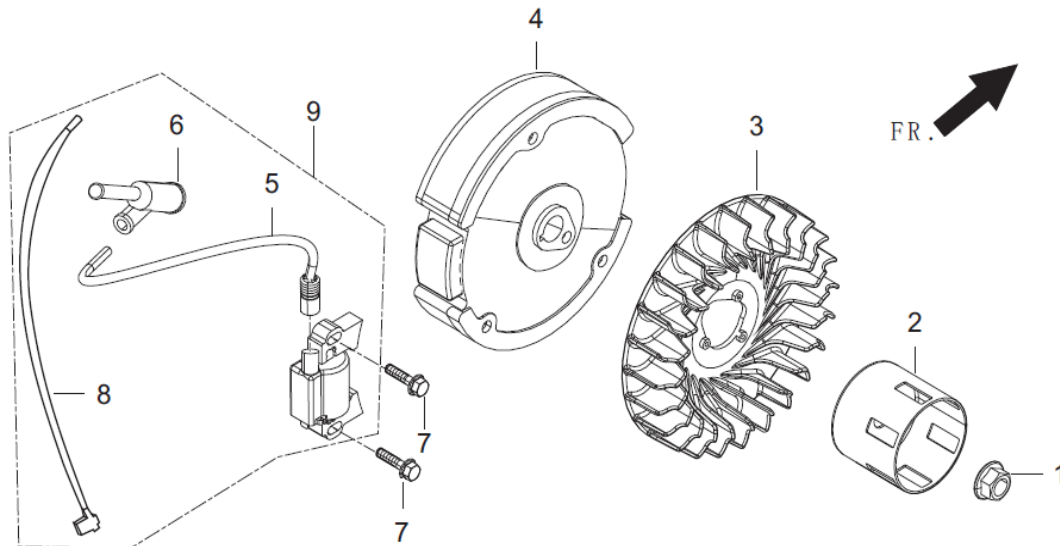


## FIG.12 TANK ASSY, FUEL ( E12 )



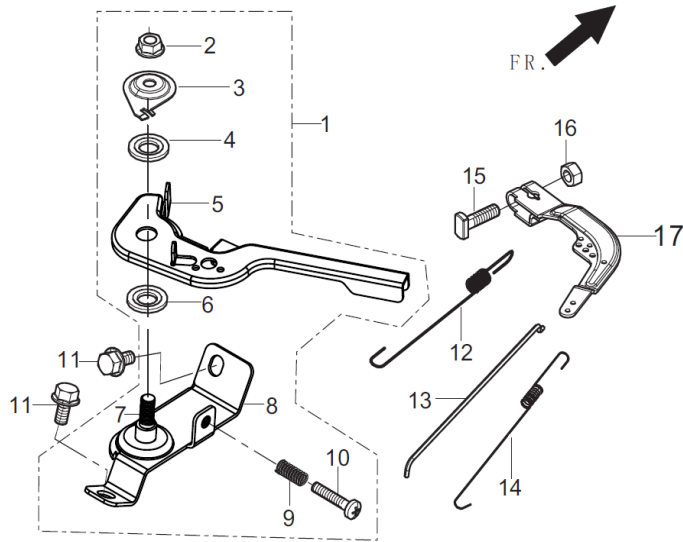
REF.NO.	PART NO	DESCRIPTION	Q'TY
HYT81-E12-1	16600-Z860110-H700	TANK, FUEL	1
HYT81-E12-2	16652-Z010610-0000	STRAINER , FUEL	1
HYT81-E12-3	16730-Z010820-0000	COVER, FUEL TANK	1
HYT81-E12-4	16680-Z010110-0000	OUTLET SUBASSEMBLY, FUEL TANK OIL	1
HYT81-E12-5	90740-Z010210-0000	CLAMP	2
HYT81-E12-6	90686-Z010510-0000	TUBE, FUEL	1
HYT81-E12-7	90007-0630-A1	BOLT	1
HYT81-E12-8	90305-0600-31	NUT	2
HYT81-E12-9	30431-Z010110-0000	JACKET, RUBBER	1

## FIG.13 FLYWHEEL / IMPELLER / STARTER PULLEY / IGNITION COIL ( E13 )



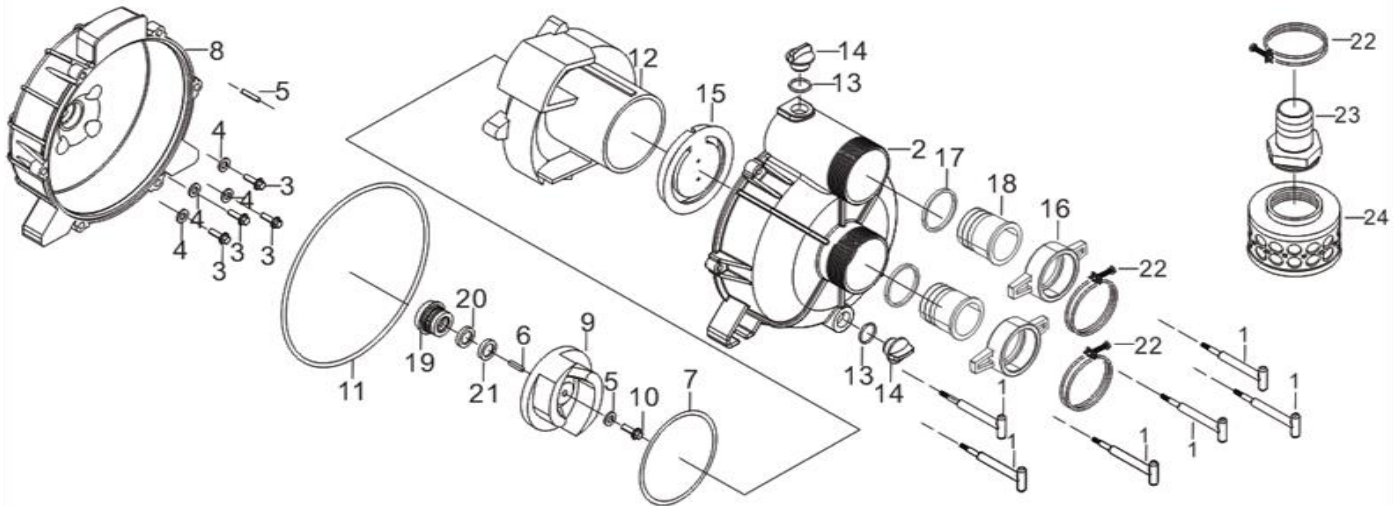
REF.NO.	PART NO	DESCRIPTION	Q'TY
HYT81-E13-1	13501-Z010110-0000	NUT, FLYWHEEL	1
HYT81-E13-2	28002-Z300110-0000	PULLEY,STARTER	1
HYT81-E13-3	19352-Z010310-0000	IMPELLER	1
HYT81-E13-4	13510-Z300110-0000	FLYWHEEL SUBASSEMBLY	1
HYT81-E13-7	90001-0625-01	BOLT	2
HYT81-E13-9	30400-Z440110-0100	COIL, IGNITION	1

## FIG.14 CONTROL ASSY, THROTTLE ( E14 )



REF.NO.	PART NO	DESCRIPTION	Q'TY
HYT81-E14-1	16520-Z440110-0000	CONTROL ASSY, THROTTLE	1
HYT81-E14-11	90001-0610-01	BOLT	2
HYT81-E14-12	16063-Z050120-0000	SPRING, GOVERNOR	1
HYT81-E14-13	16062-Z010110-0000	ROD, GOVERNEOR	1
HYT81-E14-14	16012-Z010110-0000	SPRING, THROTTLE VALVE RETURNING	1
HYT81-E14-15	16072-Z010110-0000	BOLT, GOVERNOR SUPPORT	1
HYT81-E14-16	90305-0600-31	NUT	1
HYT81-E14-17	16070-Z010110-0000	SUPPORT SUBASSEMBLY, GOVERNOR	1

## FIG.15: PUMP BODY COMPONENTS ( E15 )

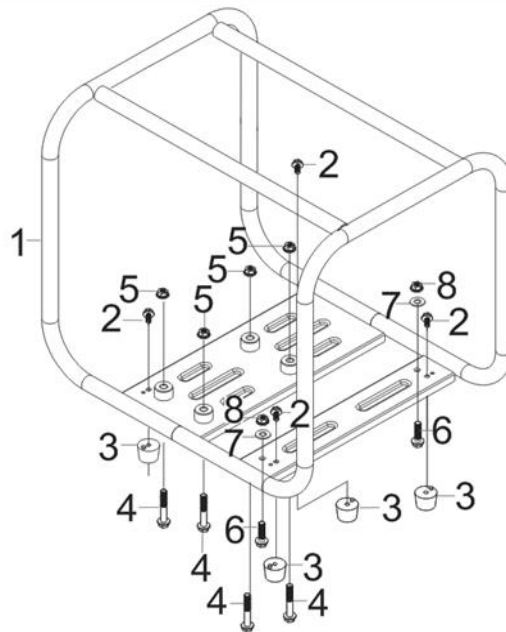


REF.NO.	PART NO	DESCRIPTION	Q'TY
HYT81-E15-1	70123-V090410-0000	BOLT	6
HYT81-E15-2	70105-V090610-0000	PUMP BODY	1
HYT81-E15-3	90001-V070110-01	BOLT	4
HYT81-E15-4	90409-V260110-0000	WASHER	5
HYT81-E15-5	90505-0618-00	PIN	1



HYT81-E15-6	90522-V020110-0000	KEY	1
HYT81-E15-7	70104-V090410-0000	RIGN , WHORL CASE SEALING	1
HYT81-E15-8	70118-V090410-0000	JOINT, WATER PUMP	1
HYT81-E15-9	70102-V090410-0000	IMPELLER, WATER PUMP	1
HYT81-E15-10	90001-V070110-0000	BOLT	1
HYT81-E15-11	70119-V090410-0000	CUSHION, WATER PUMP JOINT	1
HYT81-E15-12	70103-V090410-0000	CASE, WHORL	1
HYT81-E15-13	70122-V260110-0000	WASHER, SCREW PLUG	2
HYT81-E15-14	70107-V260210-0000	PLUG, THREAD	2
HYT81-E15-15	70115-V090410-0000	GASKET , INLET WATER	1
HYT81-E15-16	70111-V270310-0000	JOINT, HOSE	2
HYT81-E15-17	70131-V270110-0000	RING, HOSE JOINT SEAL	2
HYT81-E15-18	70112-V270310-0000	INTERFACE, HOSE	2
HYT81-E15-19	70300-V330110-0000	SEAL ASSY, MECHANISM	1
HYT81-E15-20	70309-V330110-0000	SEAL, PORCELAIN	1
HYT81-E15-21	70125-V260210-0000	WASHER	1
HYT81-E15-22	70400-V270110-0000	HOOP SUBASSEMBLY, HOSE	3
HYT81-E15-23	90752-V090510-0000	JOINT , WATER TUBE	1
HYT81-E15-24	70135-V090210-0000	STRAINER	1
	70100-V090910-0K00	PUMP ASSY, WATER	1

## FIG.16 FRAME ASSY, ENGINE (E16)



REF.NO.	PART NO	DESCRIPTION	Q'TY
HYT81-E16-1	51100-V090310-H7L0	FRAME ASSY, ENGINE	1
HYT81-E16-2	90001-0610-01	BOLT	4
HYT81-E16-3	51014HY450110-0000	SEAT, ENGINE FRAME SHOCK ABSORPTION	4
HYT81-E16-4	90001-0850-01	BOLT	4
HYT81-E16-5	90327-0800-31	NUT	4
HYT81-E16-6	90001-0835-01	BOLT	2
HYT81-E16-7	90406-0800-E1	WASHER	2
HYT81-E16-8	90327-0800-31	NUT	2