



---

**HYUNDAI**  
POWER EQUIPMENT

spare parts catalog  
catálogo de piezas de repuesto

**2012-2013**

---

*ENGINE PARTS* · DESPIECE MOTORES

---

**HY2000Si-HY3000Si**

---



FIG. A

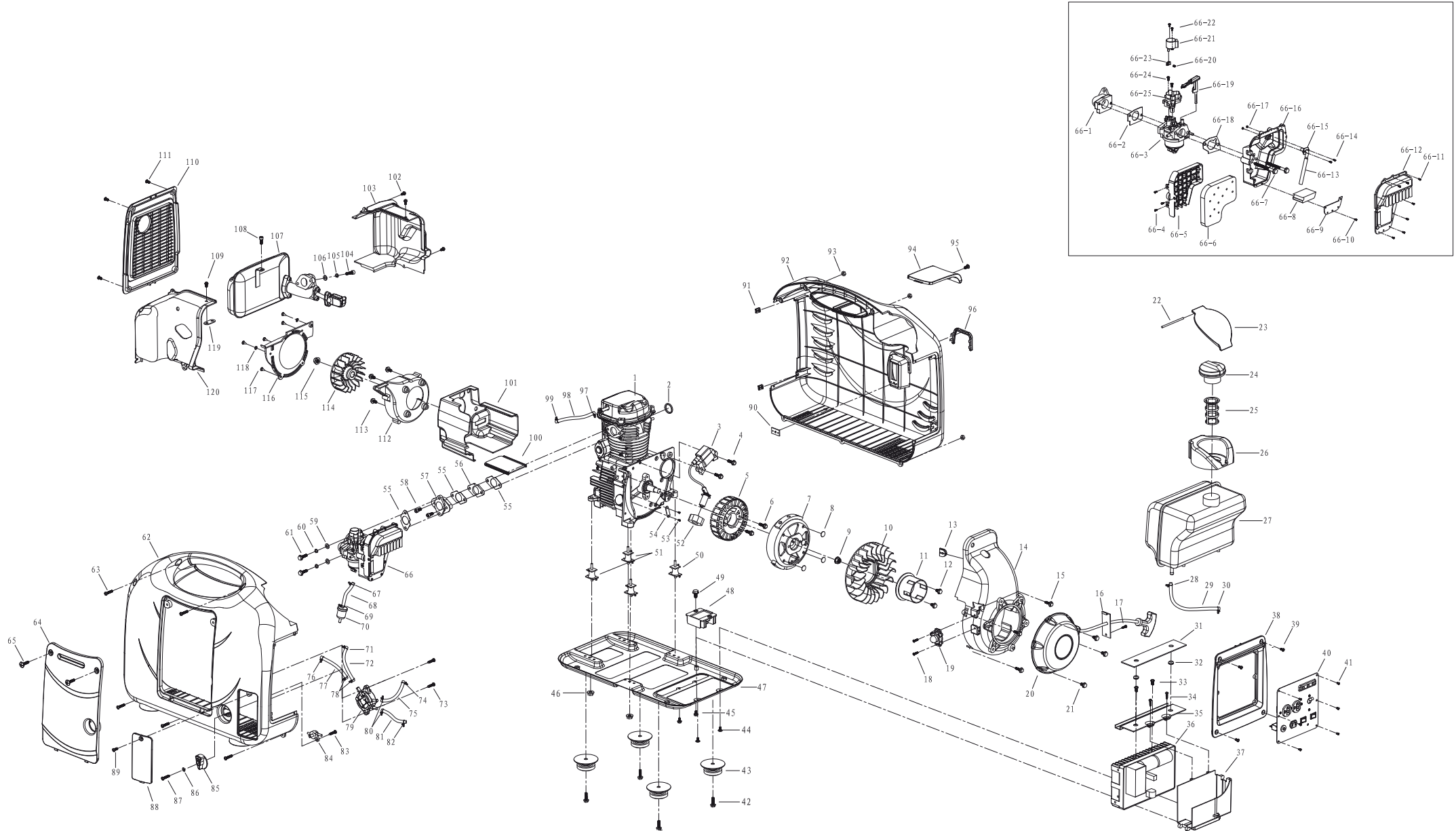
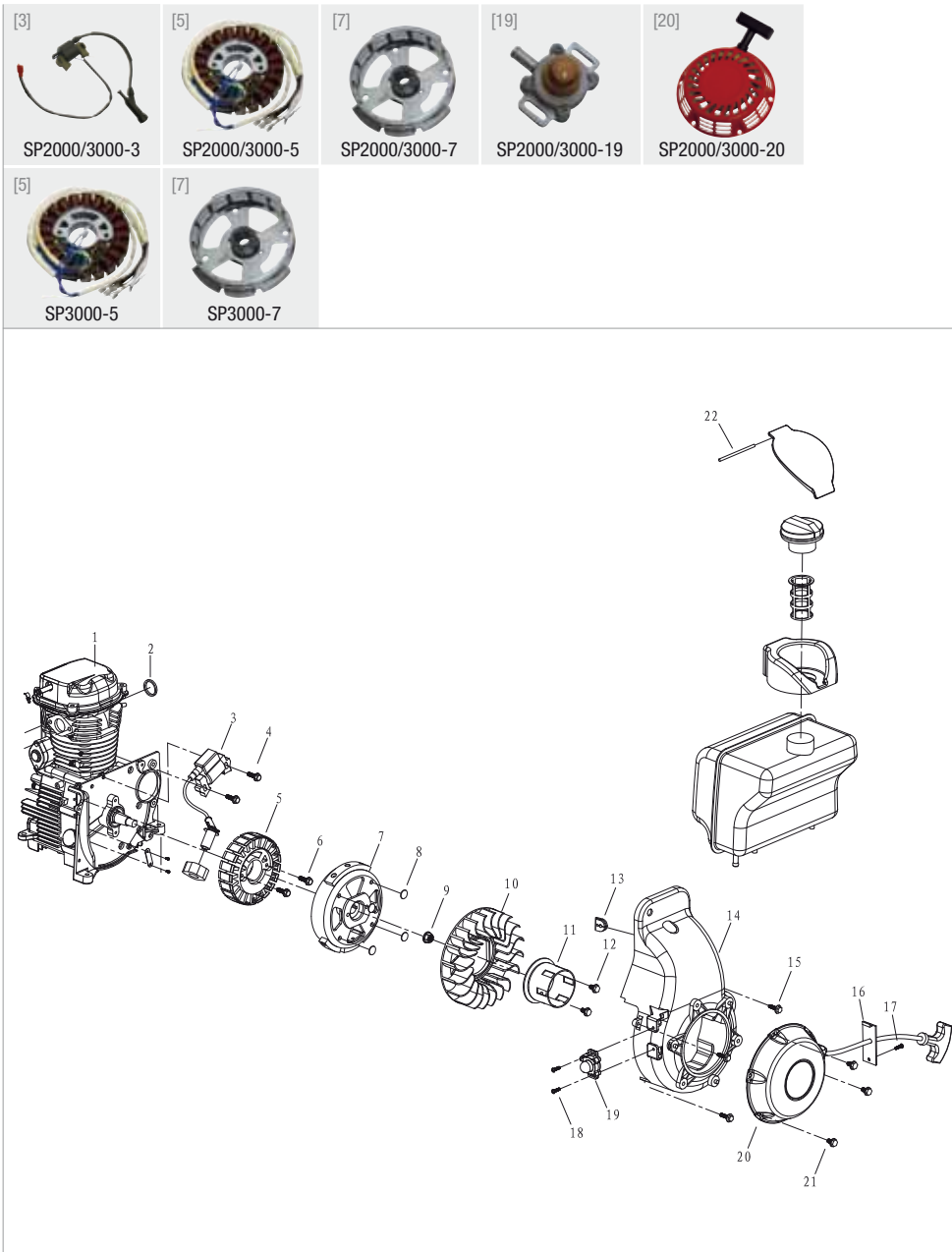
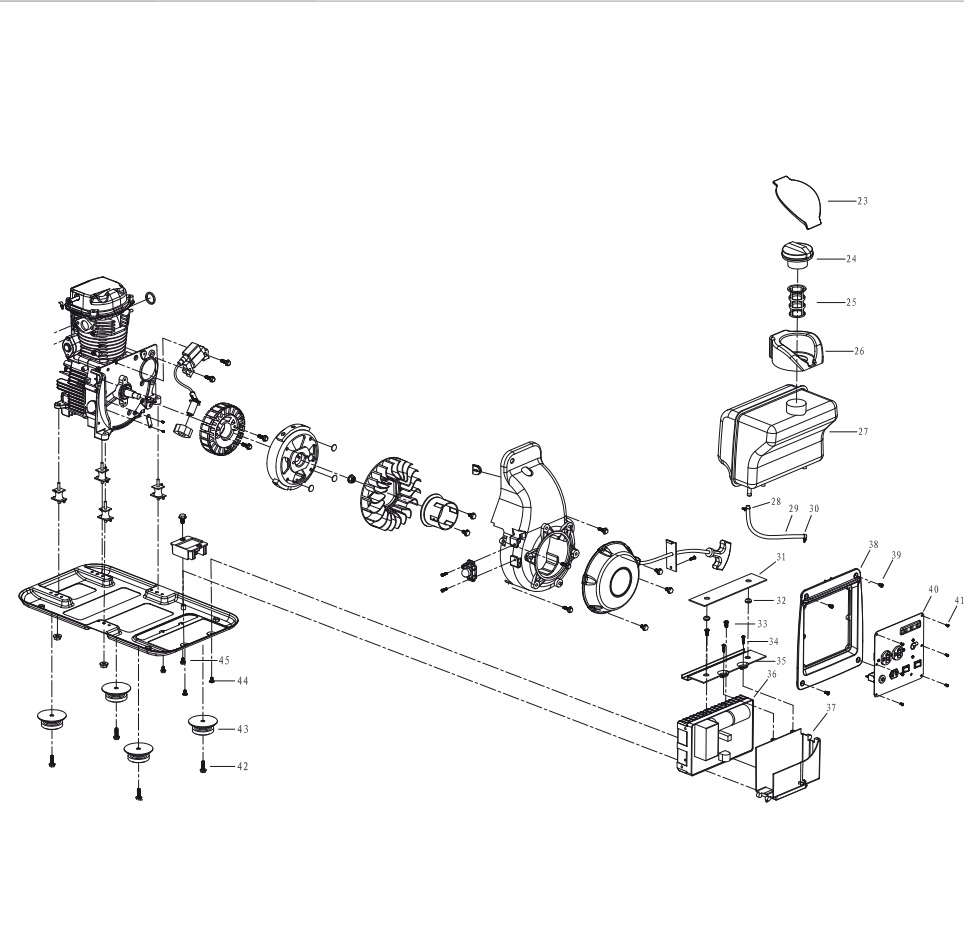


FIG. A



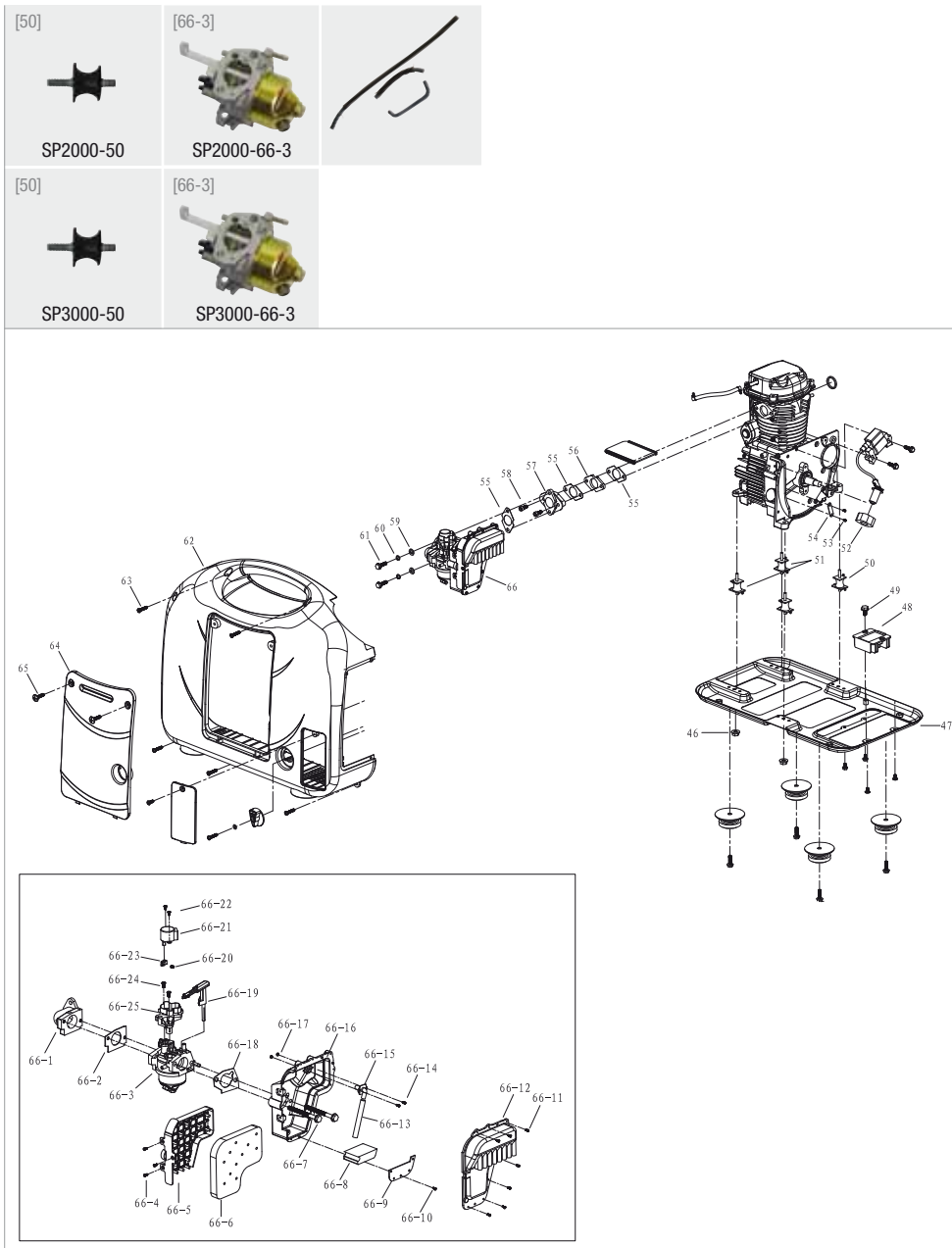
POS.	REF.	DESCRIPTION	DESCRIPCIÓN
1	SP2000-01	152 Engine	MOTOR 152
	SP3000-01	157 Engine	MOTOR 157
2	SP2000/3000-02	Gaslet of muffler	JUNTA ESCAPE
3	SP2000/3000-03	Ignition coil	BONINA BUJÍA
4	SP2000/3000-04	M6x20 Hex flange bolt	Tornillo M6x20
5	SP2000-05	Stator 2kw-230V	Stator 2kw-230V
	SP3000-05	Stator 3kw-230V	STATOR 3kw-230V
6	SP2000/3000-06	M5x30 Hex flange bolt	Tornillo M5x30
7	SP2000-07	ROTOR 2kw-230V	ROTOR 2kw-230V
	SP3000-07	ROTOR 3KW-230V	ROTOR 3KW-230V
8	SP2000/3000-08	Rubber blanket for fan	Tapones rotor
9	SP2000/3000-09	M12x1.25 Hex flange nut	Tuerca M12x1.25
10	SP2000/3000-10	Fan for flywheel	Ventilador alternador
11	SP2000/3000-11	Cluth	Engranaje Arrancador
12	SP2000/3000-12	M6x12 Hex flange bolt	Tornillo M6x12
13	SP2000/3000-13	Rubber sheath for high voltage wire	Goma pasa cable
14	SP2000/3000-14	Fan cover	Protector ventilador
15	SP2000/3000-15	M5x16 Hex flange bolt	Tornillo M5x16
16	SP2000/3000-16	Baffle for recoil starter	Protector cuerda arrancador
17	SP2000/3000-17	Starter Rope	Cuerda arrancador
18	SP2000/3000-18	Screw	Tornillo
19	SP2000/3000-19	Primer Bulb	Cebador
20	SP2000/3000-20	Recoil start assembly (red)	Arrancador completo
21	SP2000/3000-21	M5X12 crosshead screw	Tornillo M5x12
22	SP2000/3000-22	Deposit cap pin	Pasador tapa deposito

FIG. A



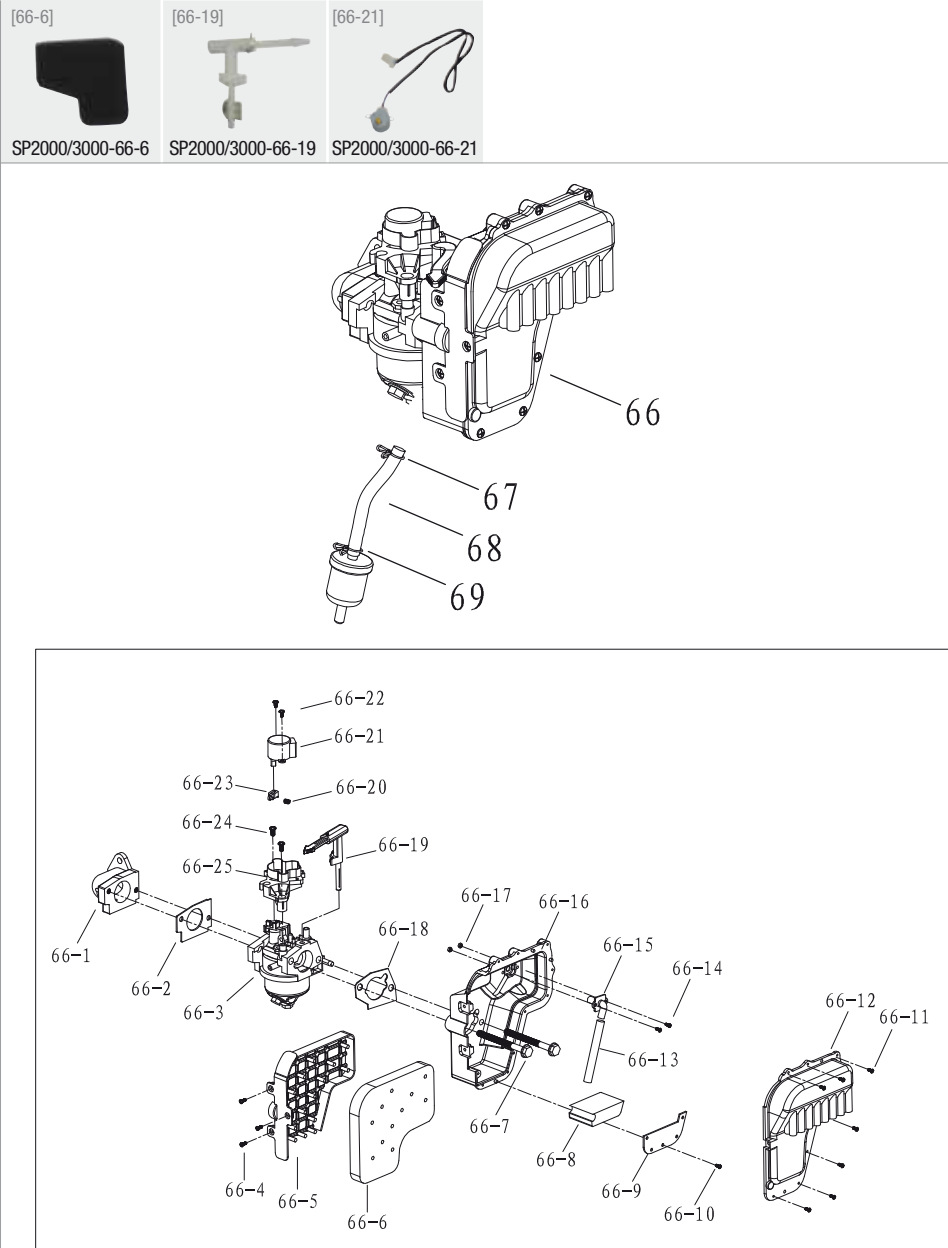
POS.	REF.	DESCRIPTION	DESCRIPCIÓN
23	SP2000/3000-23	Tank cap lid	Tapa deposito
24	SP2000/3000-24	Tank cap	Tapón deposito
25	SP2000/3000-25	Prefilter tank	Pre-filtro deposito
26	SP2000/3000-26	Sheath of fuel tank	Goma superior deposito
27	SP2000/3000-27	Fuel tank (Iron)	Deposito gasolina
28	SP2000/3000-28	10mm stainless steel fastener	Abrazadera 10mm
29	SP2000/3000-29	Outlet hose of fuel tank	Tubo gasolina deposito
30	SP2000/3000-30	7mm stainless steel fastener	Abrazadera 7mm
31	SP2000/3000-31	Rubber gasket for fuel tank	Goma base deposito
32	SP2000/3000-32	Rubber tank	Tope goma deposito
33	SP2000/3000-33	M5X12 crosshead screw	Tornillo M5x12
34	SP2000/3000-34	M4X16 self-tapping screw	Tornillo ST4x16
35	SP2000/3000-35	Fuel tank support	Base deposito
36	SP2000-36	2KW Inverter assembly for 230V	Placa Inverter 2kw
	SP3000-36	3KW Inverter Assembly for 230V	Placa Inverter 3kw
37	SP2000/3000-37	Box of Battery	Caja batería
38	SP2000/3000-38	Cover Of Controlled Panel	Marco panel de control
39	SP2000/3000-39	M5x20 bolt	Tornillo M5x20
40	SP2000-40	controlled Panel	Panel control completo
	SP3000-40	controlled Panel	Panel control completo
41	SP2000/3000-41	M4.2X13 self-tapping screw	Tornillo ST4.2x13
42	SP2000/3000-42	M8x25 Hex flange bolt	Tornillo M8x25
43	SP2000/3000-43	Foot	Patas antivibración
44	SP2000/3000-44	M4X16 self-tapping screw	Tornillo M4x16
45	SP2000/3000-45	M5x12 Hex flange bolt	Tornillo M5x12

FIG. A



POS.	REF.	DESCRIPTION	DESCRIPCIÓN
46	SP2000/3000-46	M6 Hex flange nut	Tuerca M6
47	SP2000/3000-47	Chassis	Chasis generador
48	SP2000/3000-48	Voltage regulator	Rectificador corriente
49	SP2000/3000-49	M6x16 Hex flange bolt	Tornillo M6x16
50	SP2000/3000-50	Absorber (long)	Silent block motor largos
51	SP2000/3000-51	Absorber (short)	Silent block motor cortos
52	SP2000/3000-52	Sponge sheath for ignition coil	Espanja pipeta bujía
53	SP2000/3000-53	M3x8 crosshead screw	Tornillo M3x8
54	SP2000/3000-54	Tension disc for stator	Fijador cable stator
55	SP2000/3000-55	Paper gasket for carburetor 1	Junta carburador 1
56	SP2000/3000-56	Rubber blanket	Separador juntas caucho
57	SP2000/3000-57	Coupling flange for carburetor	Conector carburador bacalita
58	SP2000/3000-58	M6x25 Hex flange bolt	Tornillo M6x25
59	SP2000/3000-59	M6 gasket	Arandela M6
60	SP2000/3000-60	M6 spring cushion	Arandela bloqueo M6
61	SP2000/3000-61	M6x25 Hex flange bolt	Tornillo M6x25
62	SP2000/3000-62	Cover of Generator_Left	Carcasa Izquierda
63	SP2000/3000-63	M5x30 bolt	Tornillo M5x30
64	SP2000/3000-64	Left maintenance cover	Puerta mantenimineto
65	SP2000/3000-65	M6x16 Stainless Steel bolt	Tornillo M6x16
66	SP2000/3000-66	Carburetor assembly whit filter	Carburador más filtro completo
66-1	SP2000/3000-66-1	Connecting bend for carburetor	Conexión 90° carburador
66-2	SP2000/3000-66-2	Paper gasket for carburetor 2	Junta boca carburador 2
66-3	SP2000-66-3	2KW Carburetor (apply to EEC)	Carburador 2kw EEC
66-3	SP3000-66-3	3KW Carburetor (apply to EEC)	Carburador 3kw EEC

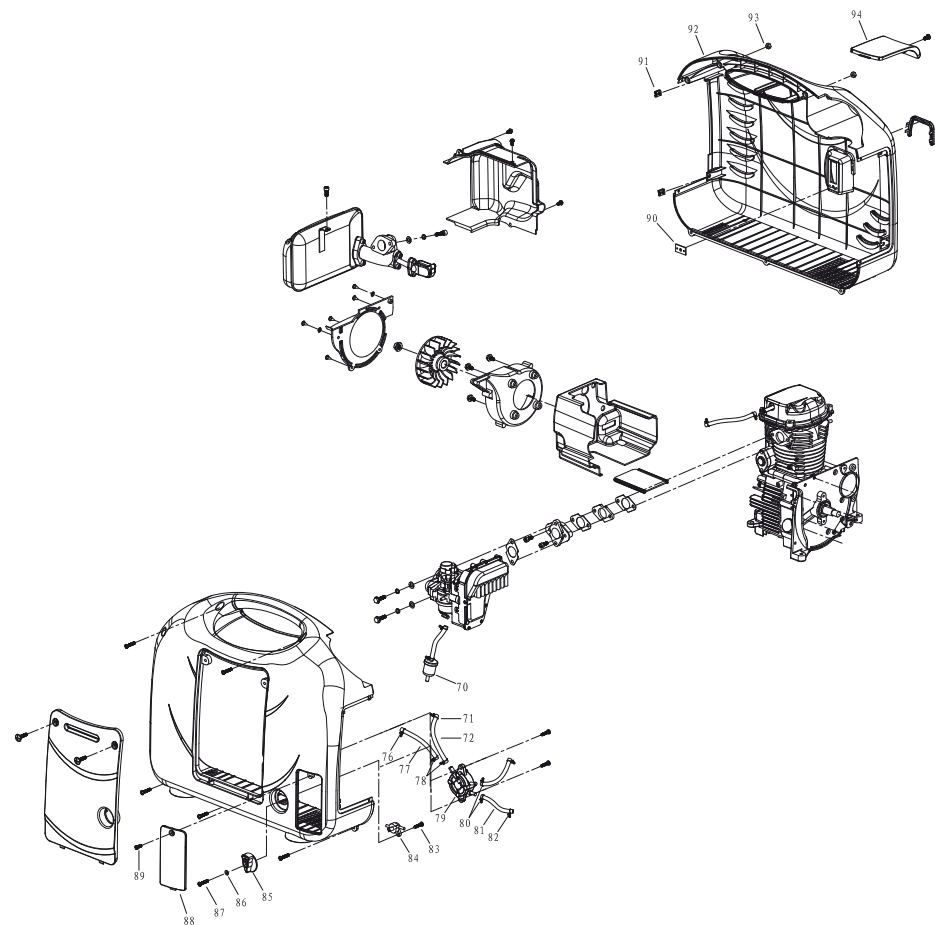
FIG. A



POS.	REF.	DESCRIPTION	DESCRIPCIÓN
66-4	SP2000/3000-66-4	ST4X12 self-tapping screw (black)	Tornillo ST4x12
66-5	SP2000/3000-66-5	Air filter drawer	Base filtro aire
66-6	SP2000/3000-66-6	Air filter	Filtro Aire
66-7	SP2000/3000-66-7	M6x70 Hex flange bolt	Tornillo M6x70
66-8	SP2000/3000-66-8	Oil bearing sponge	Sponja aceite
66-9	SP2000/3000-66-9	Sponge cover	Tapa filtro aceite
66-10	SP2000/3000-66-10	ST3X10 self-tapping screw (black)	Tornillos ST3x10
66-11	SP2000/3000-66-11	ST3.5X12 self-tapping screw (stainless)	Tornillos ST3.5x12
66-12	SP2000/3000-66-12	Air filter cover	Tapa filtro Aire
66-13	SP2000/3000-66-13	Connecting pipe of air filter	Tubo conexión filtro aire
66-14	SP2000/3000-66-14	M3x8 Hex flange bolt (stainless)	Tornillos M3x8
66-15	SP2000/3000-66-15	Connecting bend of air filter	Conector tubo filtro
66-16	SP2000/3000-66-16	AIR FILTER BASE	Base carcasa filtro Aire
66-17	SP2000/3000-66-17	M3 Hex flange nut	Tornillo M3
66-18	SP2000/3000-66-18	Paper gasket for carburetor 3	Junta carburador a filtro 3
66-19	SP2000/3000-66-19	Damper adjuster assembly	Palanca Starter
66-20	SP2000/3000-66-20	spring	Muelle motor carburador
66-21	SP2000/3000-66-21	Step motor	Motor carburador
66-22	SP2000/3000-66-22	M3x8 Hex flange bolt (group)	Tornillo M3x8
66-23	SP2000/3000-66-23	Wedge	Palanca muelle
66-24	SP2000/3000-66-24	M4x12 Hex flange bolt (group)	Tornillo M4x12
66-25	SP2000/3000-66-25	Step motor base	Base motor carburador
67	SP2000/3000-67	8mm stainless steel fastener	Abrazadera 8mm
68	SP2000/3000-68	Inlet hose of carburetor	Tubo gasolina
69	SP2000/3000-69	8mm stainless steel fastener	Abrazadera 8mm



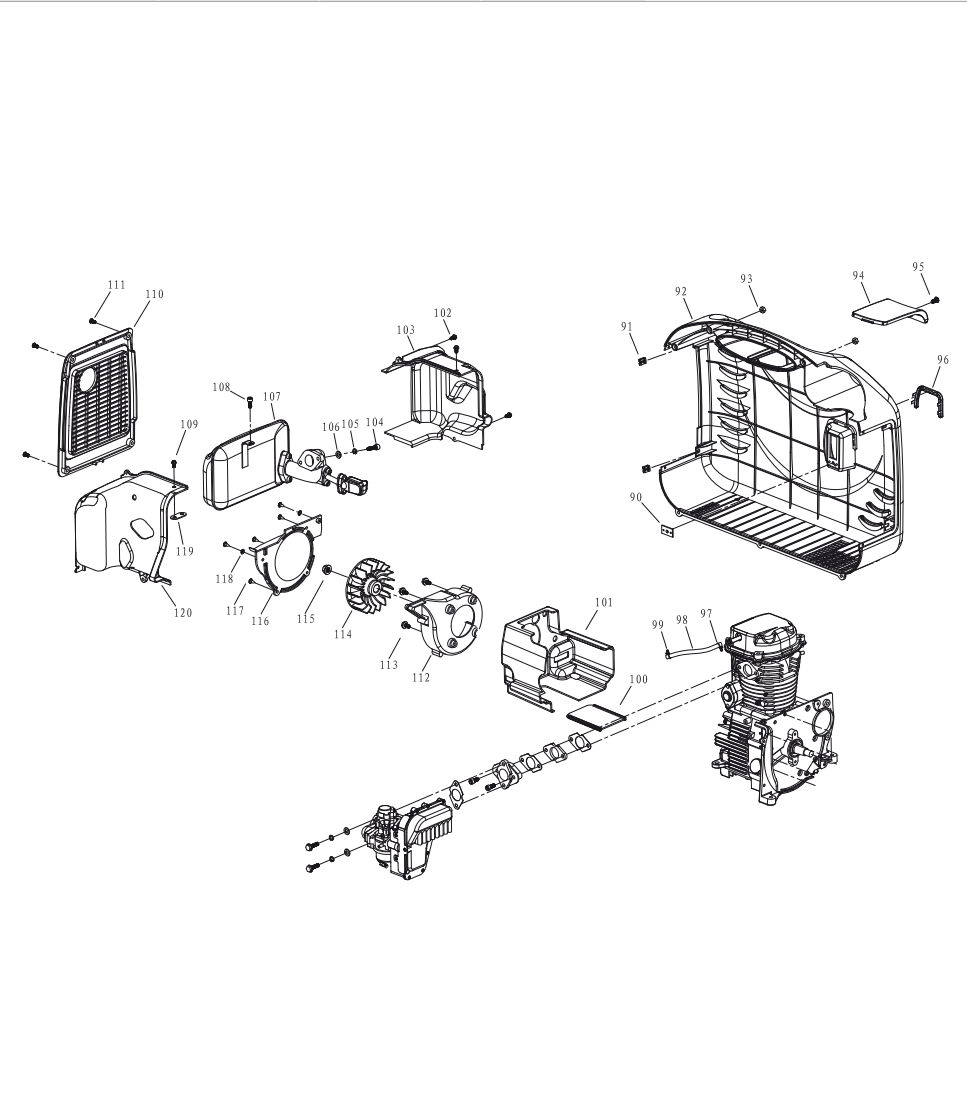
SP2000/3000-70    SP2000/3000-79    SP2000/3000-84



POS.	REF.	DESCRIPTION	DESCRIPCIÓN
70	SP2000/3000-70	Fuel filter	Filtro gasolina
71	SP2000/3000-71	8mm stainless steel fastener	Abrazadera 8mm
72	SP2000/3000-72	Snorkel 1	Tubo gasolina bomba 1
73	SP2000/3000-73	M4.8X16 self-tapping screw (stainless)	Tornillo ST4.8x16
74	SP2000/3000-74	9mm stainless steel fastener	Abrazadera 9mm
75	SP2000/3000-75	The pipe of Petrol Pump 2	Tubo gasolina bomba 2
76	SP2000/3000-76	7mm stainless steel fastener	Abrazadera 7mm
77	SP2000/3000-77	Inlet hose of vacuum pump 3	Tubo gasolina bomba 3
78	SP2000/3000-78	8mm stainless steel fastener	Abrazadera 8mm
79	SP2000/3000-79	Fuel pump	Bomba gasolina
80	SP2000/3000-80	7mm stainless steel fastener	Abrazadera 7mm
81	SP2000/3000-81	Inlet hose of vacuum pump 4	Tubo gasolina bomba 4
82	SP2000/3000-82	8mm stainless steel fastener	Abrazaderas 8mm
83	SP2000/3000-83	M4.8X16 self-tapping screw (stainless)	Tornillo ST4.8x16
84	SP2000/3000-84	Fuel valve	Grifo Gasolina
85	SP2000/3000-85	Fuel valve switch	Llave grifo gasolina
86	SP2000/3000-86	M4 gasket (stainless)	Arandela M4
87	SP2000/3000-87	M4X16 crosshead screw (stainless)	Tornillo M4x16
88	SP2000/3000-88	Maintenance cover of battery	Tapa acceso batería
89	SP2000/3000-89	M4.2X16 self-tapping screw (stainless)	Tornillo ST4.2x16
90	SP2000/3000-90	Nut	Tuerca protector arrancador
91	SP2000/3000-91	Nut M5	Grapas M5
92	SP2000/3000-92	Right case	Carcasa derecha
93	SP2000/3000-93	M5 Hex flange nut	Tuerca M5
94	SP2000/3000-94	Top maintenance cover	Tapa bujía



SP2000/3000-107



POS.	REF.	DESCRIPTION	DESCRIPCIÓN
95	SP2000/3000-95	M5X12 crosshead screw	Tornillo M5x12
96	SP2000/3000-96	Backplate for recoil starter	Protector cuerda
97	SP2000/3000-97	10mm stainless steel fastener	Abrazadera 10mm
98	SP2000/3000-98	Snorkel	Tubo presión
99	SP2000/3000-99	9mm stainless steel fastener	Abrazadera 9mm
100	SP2000/3000-100	Maintenance cover of oil alarm	Tapa sensor aceite
101	SP2000/3000-101	Wind collect cover	Cubierta inferior ventilación
102	SP2000/3000-102	M5x16 Hex flange bolt	Tornillo M5x16
103	SP2000/3000-103	Right fan cover	Cubierta derecha del ventilador
104	SP2000/3000-104	M6x25 Hex flange bolt	Tornillo M6x25
105	SP2000/3000-105	M6 spring cushion	ArandelaM6
106	SP2000/3000-106	M6 gasket(black)	Arandela bloqueo M6
107	SP2000/3000-107	Muffler (without accelerant)	Silenciador escape
108	SP2000/3000-108	M6x30 Hex flange screw	Tornillo M6x30
109	SP2000/3000-109	M5x8 Hex flange bolt	Tornillo M5x8
110	SP2000/3000-110	Air outlet cover	Tapa trasera ventilación
111	SP2000/3000-111	M5X12 crosshead screw	Tornillo M5x12
112	SP2000/3000-112	Fan cover	Cubierta ventilador
113	SP2000/3000-113	M5x16 Hex flange bolt	Tornillo M5x16
114	SP2000/3000-114	Exhaust fan	Ventilador escape
115	SP2000/3000-115	M10x1.25 Hex flange nut	Tuerca M10x1.25
116	SP2000/3000-116	Fan shell	Cierre cubierta ventilador
117	SP2000/3000-117	ST4X12 self-tapping screw	Tornillo ST4x12
118	SP2000/3000-118	M4 gasket	Arandela M4
119	SP2000/3000-119	Case connctcing plate	Grapa
120	SP2000/3000-120	Left fan cover	Cubierta izquierda del ventilador



FIG. B

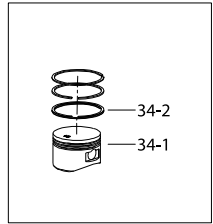
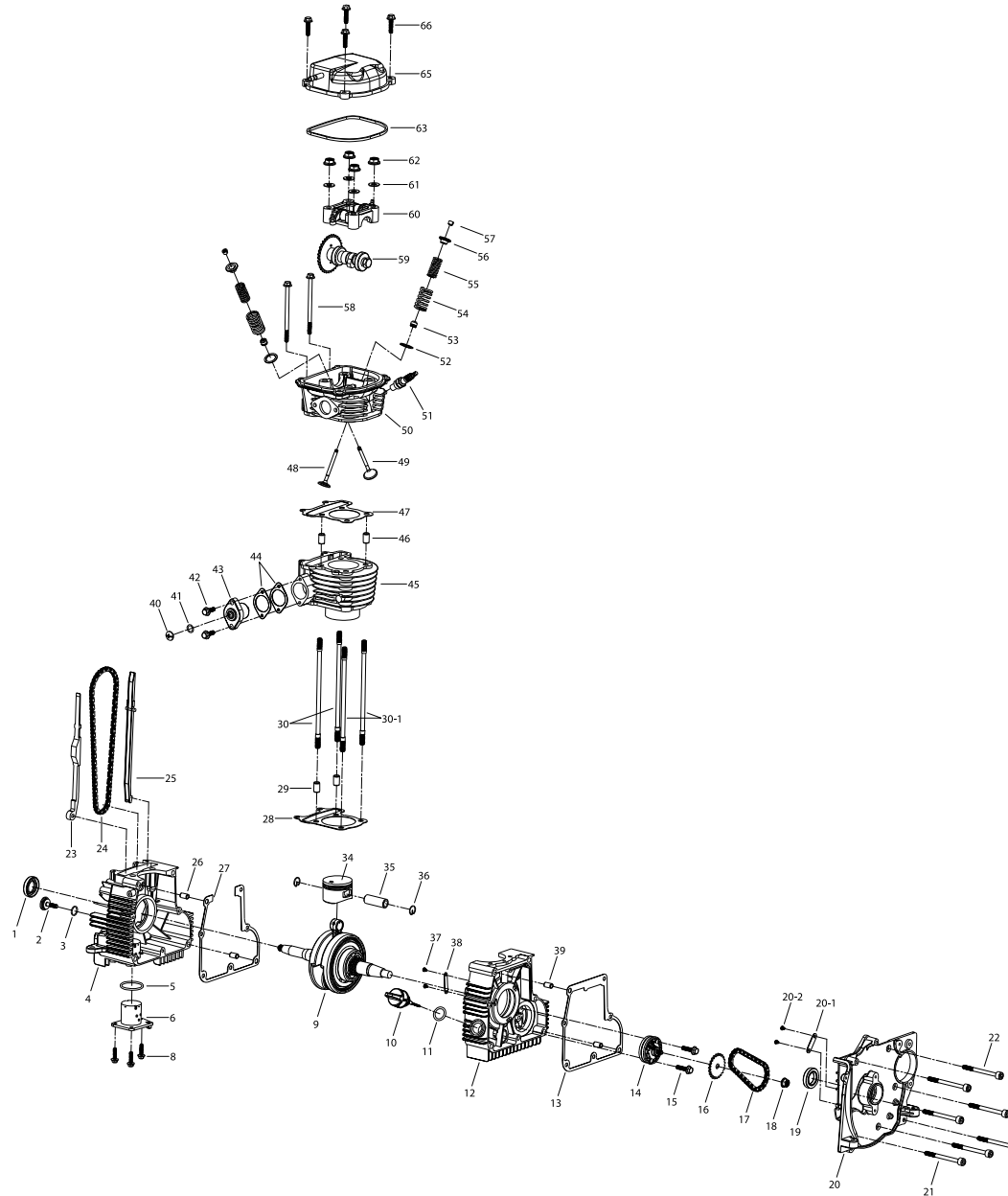
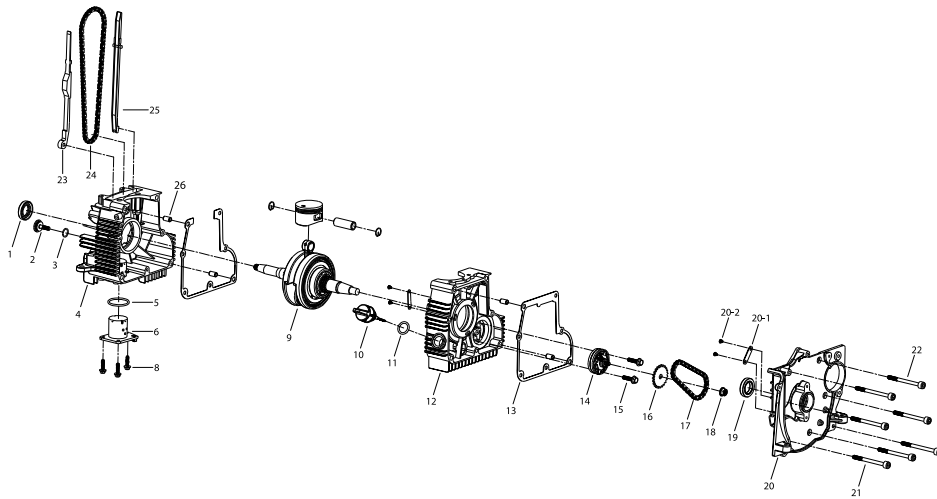


FIG. B

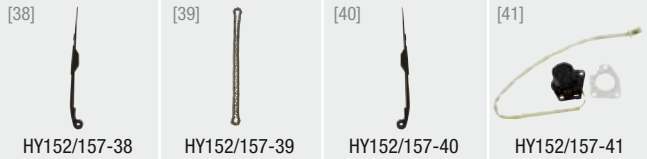


[ FIG. B ]

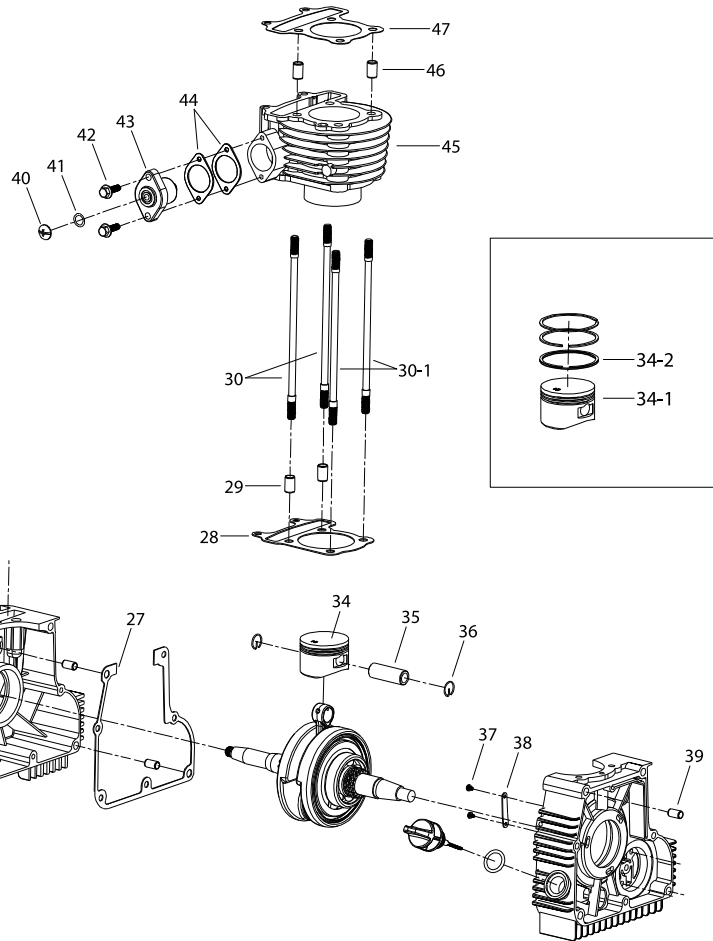


POS.	REF.	DESCRIPTION	DESCRIPCIÓN
1	HY152/157-01	Oil seal	Retén Cigüeñal
2	HY152/157-02	Bolt	Tuerca
3	HY152/157-03	Gasket	Arandela
4	HY152/157-04	Right case engine	Bloque motor izquierdo
5	HY152/157-05	oil sensor gasket	Junta sensor aceite
6	HY152/157-06	Low oil sensor	Sensor aceite
8	HY152/157-08	Screw	Tornillo
9	HY152/157-09	crankshaft assy	Cigüeñal y biela
10	HY152/157-10	oil dipstick	Varilla nivel
11	HY152/157-11	oil dipstick gasket	Junta varilla nivel
12	HY152/157-12	left case engine	Bloque motor derecho
13	HY152/157-13	Gasket case cover	Junta tapa bloque
14	HY152/157-14	oil pump	Bomba aceite
15	HY152/157-15	Screw	Tornillo
16	HY152/157-16	oil pump sprocket wheel	Piñon bomba aceite
17	HY152/157-17	oil pump chain	Cadena bomba aceite
18	HY152/157-18	Nut	Tuerca
19	HY152/157-19	Oil seal	Retén
20	HY152/157-20	Engine cover	Tapa bloque motor
20-1	HY152/157-20-1	Fix cover	Fijador tapa
20-2	HY152/157-20-2	Screw	Tornillo
21	HY152/157-21	Screw	Tornillo
22	HY152/157-22	Screw	Tornillo
23	HY152/157-23	Chain leader	Varilla guia cadena 1
24	HY152/157-24	Chain	Cadena transmisión
25	HY152/157-25	Chain plate pinch	Varilla guia cadena 2
26	HY152/157-26	Guide cap	Casquillo guia

FIG. B

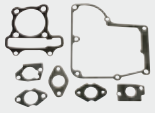


[ FIG. B ]

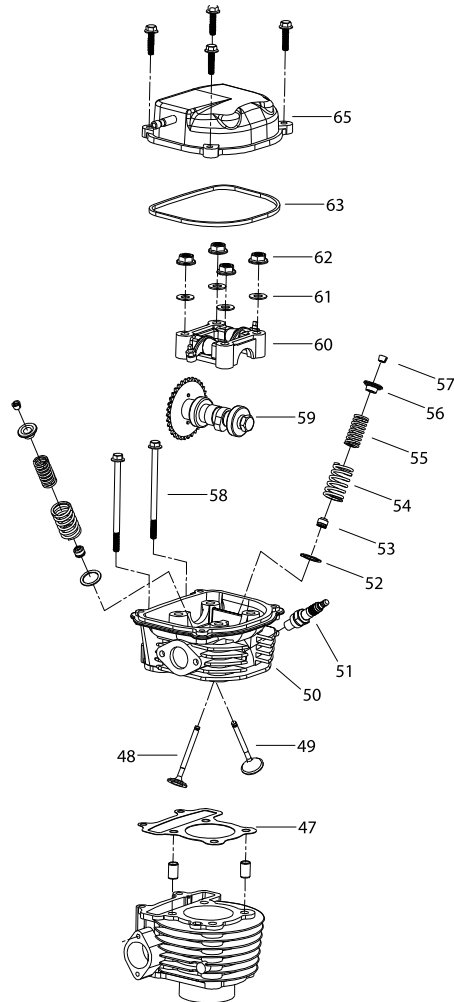


POS.	REF.	DESCRIPTION	DESCRIPCIÓN
27	HY152/157-27	Engine gasket	Junta bloque motor
28	HY152-28	Gasket cylinder 2Kw	Junta inferior cilindro 2kw
28	HY157-28	Gasket cylinder 3Kw	Junta inferior cilindro 3kw
29	HY152/157-29	Guide cap	Casquillo cilindro
30	HY152/157-30	screw with two heads	Tornillo doble
31	HY152/157-31	screw with two heads	Tornillo doble
34	HY152-34	Assy piston 2kw	Pistón completo 2kw
34	HY157-34	Assy piston 3Kw	Pistón completo 3Kw
34-1	HY152-34-1	Piston 2Kw	Pistón 2Kw
34-1	HY157-34-1	Piston 3Kw	Pistón 3Kw
34-2	HY152-34-2	piston ring 2Kw	Juego Aros 2Kw
34-2	HY157-34-2	Piston ring 3Kw	Juego Aros 3Kw
35	HY152/157-35	Piston pin	Burlón Pistón
36	HY152/157-36	circlip	Clip pistón
37	HY152/157-37	Screw	Tornillo
38	HY152/157-38	Fixing block	Fijador bloque
39	HY152/157-39	Guide cap	Casquillo guia tapa
40	HY152/157-40	Tensioning screw	Tornillo ajuste tensor
41	HY152/157-41	Gasket	Arandela
42	HY152/157-42	M6x25 Bolt	Tornillo M6x25
43	HY152/157-43	Chain regulator	Tensor cadena
44	HY152/157-44	Chain tensioner gasket	Juntas tensor cadena
45	HY152-45	Cylinder 2Kw	Cilindro 2KW
45	HY157-45	Cylinder 3Kw	Cilindro 3Kw
46	HY152/157-46	Cylinder cap	Casquillo cilindro
47	HY152-47	Gasket cylinder 2Kw	Junta cilindro 2Kw

FIG. B



[ FIG. B ]



POS.	REF.	 DESCRIPTION	 DESCRIPCIÓN
47	HY157-47	Gasket cylinder 3Kw	Junta cilindro 3Kw
48	HY152-48	Valve exhaust 2Kw	Válvula escape 2Kw
48	HY157-48	Valve exhaust 3Kw	Válvula escape 3Kw
49	HY152-49	Valve intake 2Kw	Válvula admisión 2Kw
49	HY157-49	Valve intake 3Kw	Válvula admisión 3Kw
50	HY152-50	Cylinder head 2Kw	Culata 2Kw
50	HY157-50	Cylinder head 3Kw	Culata 3Kw
51	HY152/157-51	Spark plug A5RTC	Bujía A5RTC
52	HY152/157-52	Base valve spring	Base muelle válvulas
53	HY152/157-53	Valve retainer	Retén válvula
54	HY152/157-54	Spring valve	Muelle exterior válvula
55	HY152/157-55	Spring valve	Muelle interior válvula
56	HY152/157-56	Retainer valve spring	Tope muelle válvula
57	HY152/157-57	Valve head cap	Casquillo cabeza válvula
58	HY152/157-58	M6x80 Bolt	Tornillo culata M6x80
59	HY152/157-59	camshaft assy	Eje balancines
60	HY152/157-60	rocker kickstand Assy	Conjunto balancines
61	HY152/157-61	Gasket	Arandelas
62	HY152/157-62	M10 nut	Tuerca M10
63	HY152/157-63	Cylinder head cover gasket	Junta tapa válvulas
64	HY152/157-64	Cylinder head cover	Tapa válvulas
65	HY152/157-65	Bolt M6x30	Tornillo M6x30