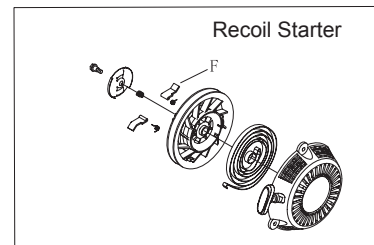
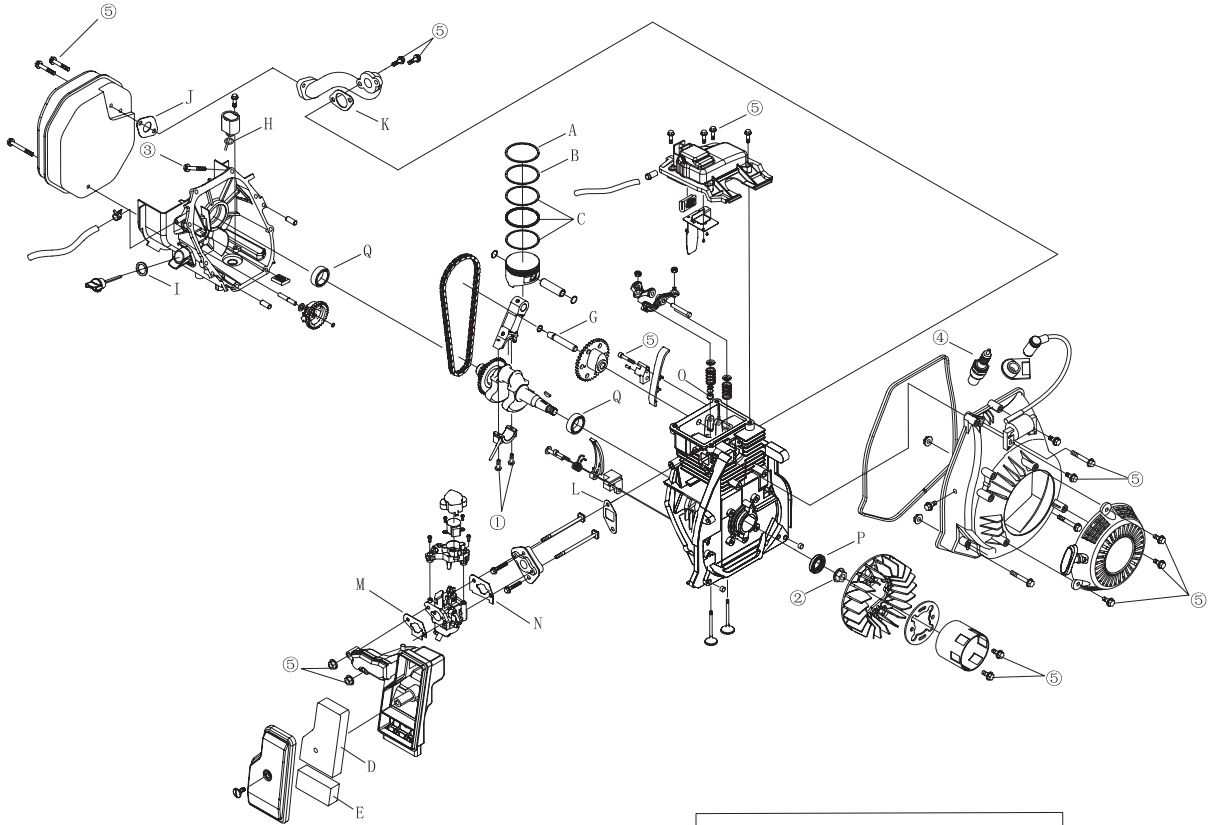


# ASSEMBLY AND PARTS DRAWING

## KG158



### Easy Wearing Parts

No.	Part No.	Description	Qty.
A	KG105-04001	The 1st Air Ring	1
B	KG105-04002	The 2nd Air Ring	1
C	KG105-04100	Oil Ring Parts	1
D	KG105-07003	Fine Filter Element	1
E	KG105-07004	Rough Filter Element	1
F	KG240-12008	Pallet	2

### Gasket

No.	Part No.	Description	Qty.
I	KG240-01016	Oil Ruler Gasket	1
J	KG105-08002	Muffler Gasket	1
K	KG105-01021	Exhaust Pipe Gasket	1
L	KG105-01018	Inlet Pipe Gasket	1
M	KG55-10003	Carburator Gasket	1
N	KG55-10004	Carburator Gasket A	1

### Bearing

No.	Part No.	Description	Qty.
Q	GB/T276-1994	Rolling Bearing 6204	2

### O-Seal Ring

No.	Part No.	Description	Qty.
G	KG105AGTi-06014	O-Seal Ring 6X2	1
H	KG105-14201	O-Seal Ring (11.7X2.5)	1

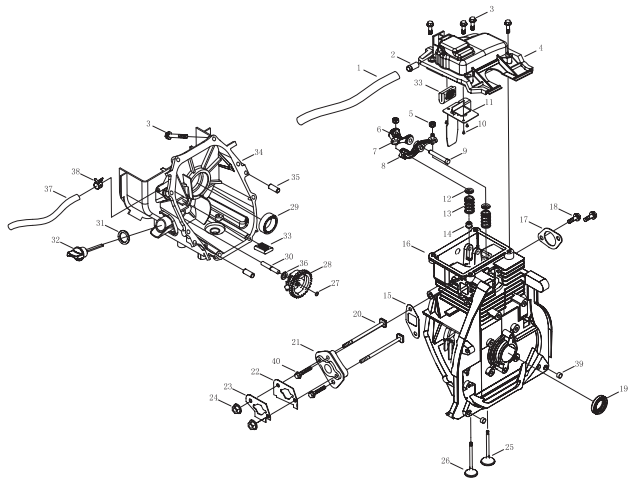
### Oil Seal

No.	Part No.	Description	Qty.
O	KG105-01022	Oil Seal of Inlet Valve Pipe	1
P	KG105-01004	Oil Seal 32X20X6	1

### Tighten Torque for Main Bolts and Nuts

Unit: N.m

No.	Description	Torque
①	Connection Rod Bolt	8-10
②	Flywheel Nut	70-80
③	Crankcase Cover Bolt	8-10
④	Spark Plug	12-14
⑤	Standard M6 Bolt (Nut)	8-10



### Cylinder Block Assembly (KG105AGTi-01000)

No.	Part No.	Description	Qty.
1	KG105AGTi-01036	Vent pipe	1
2	KG105AGTi-01025	Pipe tip	1
3	GB/T5789-2000	Hexagonal flange bolt M6X25	12
4	KG105AGTi-01011	Cylinder cover	1
5	KG105-01005	Valve clearance adjusting nut	2
6	KG105-01006	Valve clearance adjusting screw	2
7	KG105AGTi-01401	Intake valve rocker arm	1
8	KG105AGTi-01501	Exhaust valve rocker arm	1
9	KG105AGTi-01007	Rocker arm shaft	1
10	GB/T818-2000	Plus screw M3X5	3
11	KG105AGTi-01200	Respirator cover welder	1
12	KG55-01026	Valve spring base	2
13	KG105-01027	Valve spring	2
14	KG105-01022	Intake valve conducting pipe seal	1
15	KG105-01018	Inlet pipe gasket	1
16	KG105AGTi-01100	Cylinder mechanism parts	1
17	KG105-01021	Exhaust pipe gasket	1
18	GB/T5789-2000	Hexagonal flange bolt M6X20	2
19	KG105-01004	Oil seal (32X20X6)	1
20	KG105-01019	Carburetor bolt	2

No.	Part No.	Description	Qty.
21	KG105-01017	Carburetor insulation block	1
22	KG55-10004	Carburetor gasket A	1
23	KG55-10003	Carburetor gasket	1
24	GB/T6177.1-2000	Hexagonal flange nut M5	2
25	KG105-01024	Exhaust valve	1
26	KG105-01023	Inlet valve	1
27	KG160-11009	Retainer	1
28	KG105AGTi-01038	Oilgear	1
29	GB/T276-1994	Rolling bearing 6204	1
30	KG105-01039a	Oilgear shaft	1
31	KG240-01016	Oil dipstick washer	1
32	KG55-01031	Oil dipstick	1
33	KG55-01042	Oil Gas Separation Net	2
34	KG105AGTi-01001	Crankcase box cover	1
35	KG105-01003a	Crankcase box cover location pin	2
36	KG160-11013	Speed restriction gear washer	1
37	KG105AGTi-01034	Negative pressure pipe	1
38	QC/620-1999	A-type ring hoop 8-12	1
39	KG105-01041	Gasket packing	2
40	GB/T16674.1-2004	Hexagonal flange bolt M6X25	2

### Distribution and Decompression Mechanism Assembly (KG105AGTi-06000)

No.	Part No.	Description	Qty.
1	KG105AGTi-06014	O-ring seal(6x2)	1
2	KG105AGTi-06013	Drive shaft	1
3	GB/T70.1-2000	Screw M6X25	2
4	KG55-01004	Location pin of crankcase cover	1
5	KG105-06012	Clip block	1
6	KG105-06003	Chain pallet	1
7	KG105-06002	Rolling chain	1
8	KG105-06001	Chain clamp plate	1
9	KG105-06011	Bearing plate	1
10	KG105-06008a	Strain spring	1
11	KG105-06009	Strain spring pin shaft	1
12	KG105AGTi-06100	Cam timing drive chain	1

### Inlet System (KG105AGTi-07000)

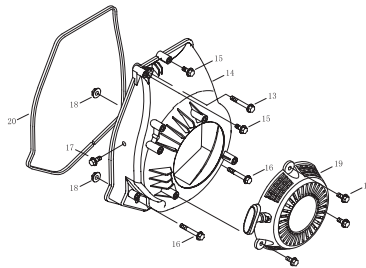
No.	Part No.	Description	Qty.
1	KG105AGTi-07100	Air cleaner case assembly	1
2	KG105-07003	Refined air cleaner element	1
3	KG105-07004	Rough air cleaner element	1
4	KG105-07001	Air cleaner cover	1
5	KG105-07002	Fasten screw	1
6	KG105-07005	Seal gasket	1

### Exhaust System (KG105-08000)

No.	Part No.	Description	Qty.
1	GB/T5789-2000	Hexagonal Flange Bolt M6X75	2
2	KG105-08100b	Welding Part of Muffler	1
3	KG105-08002	Muffler Gasket	1
4	KG105-08001	Exhaust Pipe	1
5	KG105-08200	Spark Catcher	1
6	GB/T5789-2000	Hexagonal Flange Bolt M6X80	1

### Piston Connection Rod Assembly (KG105-04000)

No.	Part No.	Description	Qty.
1	KG105-04001	First air ring	1
2	KG105-04002	Second air ring	1
3	KG105-04100	Oil ring parts	1
4	KG105-04003	Piston	1
5	KG135L-04004	Piston pin	1
6	KG135L-04005	Retainer	2
7	KG105-04201	Connecting rod body	1
8	KG105-04202	Connecting rodcover	1
9	KG55-04203	Connecting rod bolt	2



### Recoil Starter and Air Conduct Cover Assembly (KG105-12000)

No.	Part No.	Description	Qty.
1	KG105-12202	Starting Handle Cover	1
2	KG240-12006	Tighten Bolt	1
3	KG240-12005	Pallet Guide Plate	1
4	KG240-12004	Friction Spring	1
5	KG240-12008	Pallet	2
6	KG240-12007	Pallet Spring	2
7	KG105-12203	Starter Reel Shaft	1
8	KG160-12003	Recoil Starter Spring	1
9	KG105-12210	Starter Outer Shell Part	1
10	KG160-12009	Starting Pulling Rope	1
11	KG105-12201	Starting Handle	1
12	GB/T5789-2000	Hexagonal Flange Bolt M6X16	3
13	GB/T5789-2000	Hexagonal Flange Bolt M6X45	1
14	KG105-12100	Air Conduct Cover Part	1
15	GB/T5789-2000	Hexagonal Flange Bolt M5X16	2
16	GB/T5789-2000	Hexagonal Flange Bolt M6X55	2
17	GB/T5789-2000	Hexagonal Flange Bolt M5X12	1
18	GB/6177.1-2000	Hexagonal Flange Nut M6	2
19	KG105-12200	Recoil Starter Part	1
20	KG105-12001	Seal Parts	1

### Crankshaft Assembly (KG105-05000a)

No.	Part No.	Description	Qty.
1	GB/T276-1994	Roller Bearing 6204	1
2	KG105-05100	Crankshaft	1
3	KG55-05003	Key 3X4.9X16	1
4	KG105-05008	Rotor Nut	1
5	KG105-05005	Impeller	1
6	KG105-05006	Impeller Pressure Plate	1
7	KG105-05007b	Starting Claw Disc	1
8	GB/T16674.1-2004	Hexagonal Flange Bolt M6X12	2

### Ignition System (KG105AGTi-14000)

No.	Part No.	Description	Qty.
1	KG105-14100	Ignition Coil	1
2	KG105AGTi-14101	Seal Sheath	1
3	QC/T430-1999	Spark Plug UR5/A7RTC	1
4	KG105-14201	O-Seal Ring (11.7X2.5)	1
5	KG105-14200	Oil Alarm	1
6	GB/T5789-2000	Hexagonal Flange Bolt M6X12	1

### Carburetor Assembly (KG105-10000)

No.	Part No.	Description	Qty.
1	KG55-10002	Motor Bracket Cover	1
2	GB/T818-2000	Plus Screw M3X5	2
3	GB/T818-2000	Plus Screw M4X10	2
4	KG55-10001	Motor Bracket	1
5	24BYJ-24	Stepping Motor	1
6	P151-000	Carburetor Parts	1
7	P151-016	Choke Valve Handle	1
8	P151-015/P151-015a	Main Metering Jet	1

