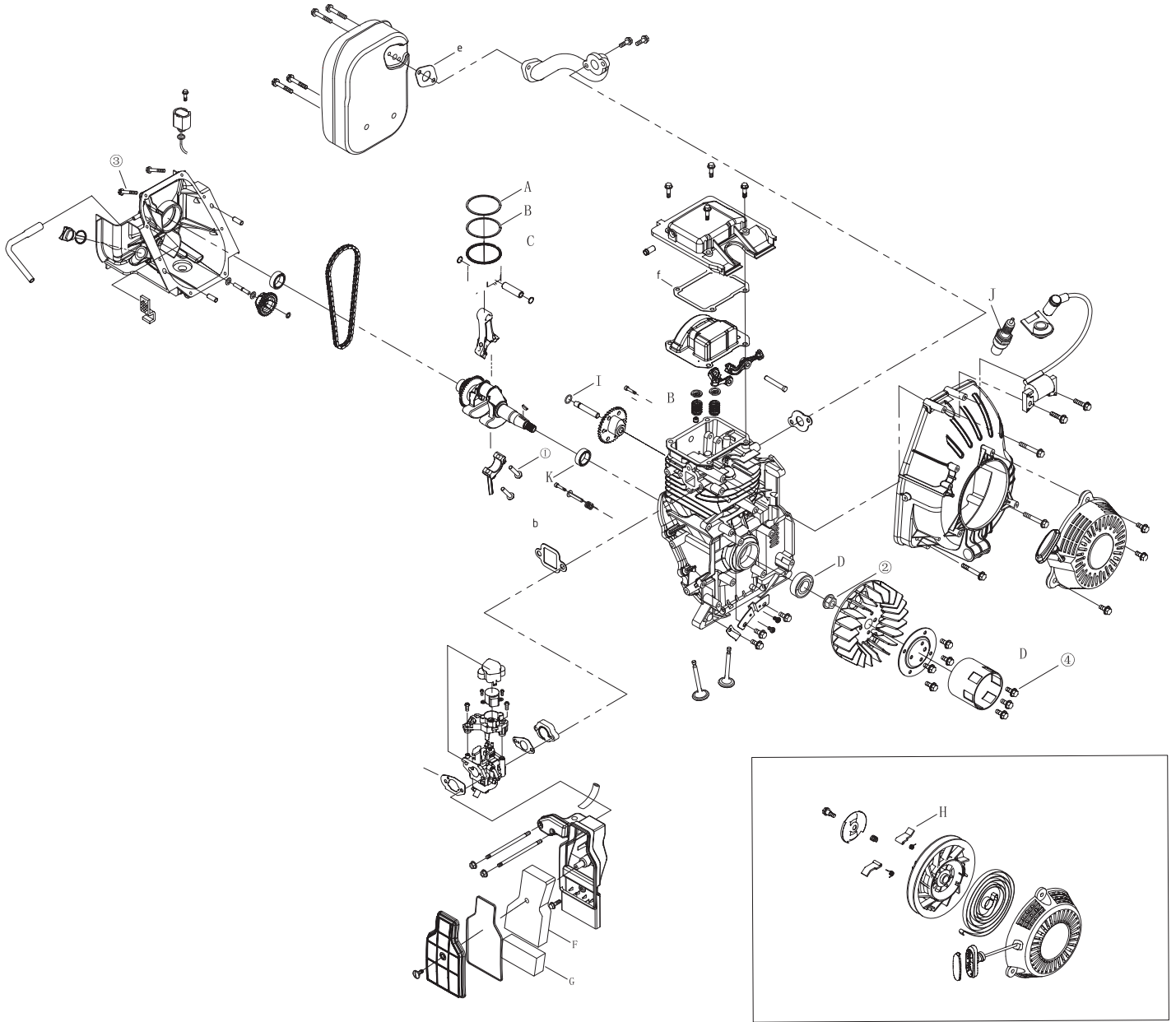


ASSEMBLY AND PARTS DRAWING

KG166



Easy Wearing Parts

No.	Part No.	Description	Qty.
A	KG171-04001	The 1st Air Ring	1
B	KG171-04002	The 2nd Air Ring	1
C	KG171-04003	Oil Ring Parts	1
D	KG160-01017	Oil Seal	1
E	KG160-01012	Inlet Valve Pipe Seal	1
F	KG171GTi-07103	Fine Filter Element	1
G	KG171GTi-07104	Rough Filter Element	1
H	KG240-12008	Pallet	2
I	KG105AGTi-06014	O-Seal Ring	1
J	QC/T430-1999	Spark Plug WR7DC	1

Gasket

No.	Part No.	Description	Qty.
a	KG240-01016	Oil Ruler Gasket	1
b	KG171-01011	Inlet Pipe Gasket	1
c	KG171-01013	Carburator Insulation Block Gasket	1
d	KG171-07003	Air Filter Gasket A	1
e	KG171GTi-08002	Muffler Gasket	1
f	KG171AGTi-01021	Respirator Plate Gasket	1

Bearing

No.	Part No.	Description	Qty.
K	GB/T276-1994	Rolling Bearing 6205	2

Tighten Torque for Main Bolts and Nuts

Unit: N.m

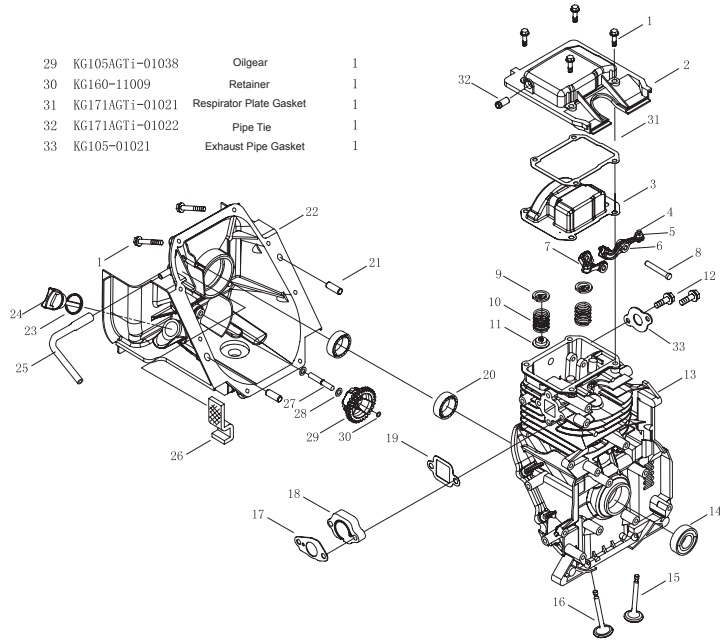
No.	Description	Torque
①	Connection Rod Bolt	14-16
②	Flywheel Nut	70-80
③	Crankcase Cover Bolt	10-12
④	Standard M6 Bolt (Nut)	8-10

Oil Seal

No.	Part No.	Description	Qty.
D	KG160-01017	Oil Seal of Inlet Valve Pipe	1
E	KG160-01012	Oil Seal 32X20X6	1

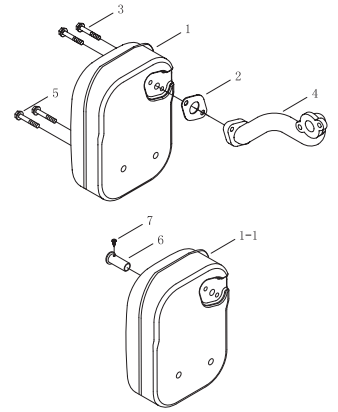
Cylinder Block Assembly (KG171AGTI-01000)

No.	Part No.	Description	Qty.
1	GB/T5789-2000	Hexagonal flange bolt M6X25	12
2	KG171AGTI-01018	Cylinder cover	1
3	KG171AGTI-01200	Respirator Parts	1
4	KG105-01006	Valve clearance adjusting screw	2
5	KG105-01005	Valve clearance adjusting nut	2
6	KG171AGTI-01301	Exhaust valve rocker arm	1
7	KG171AGTI-01401	Intake valve rocker arm	1
8	KG105AGTI-01007	Rocker arm shaft	1
9	KG160-02001	Inlet Valve Spring Seat	2
10	KG160-02006	Valve spring	2
11	KG160-02012	Intake valve conducting pipe seal	1
12	GB/T5789-2000	Hexagonal flange bolt M6X20	2
13	KG171AGTI-01100	Cylinder mechanism parts	1
14	KG160-01017	Oil seal (41.25X25X7)	1
15	KG171-01003	Exhaust valve	1
16	KG160-02004	Inlet valve	1
17	KG171-01013	Carburetor insulation block gasket	1
18	KG171GTi-01012	Carburetor insulation block	1
19	KG171-01011	Inlet port gasket	1
20	GB/T276-1994	Rolling bearing 6205	2
21	KG105-01003	Crankcase box cover location pin	2
22	KG171AGTI-01001	Crankcase box cover	1
23	KG240-01016	Oil dipstick washer	1
24	KG171-01017	Oil dipstick	1
25	KG171GTi-01019a	Negative pressure pipe	1
26	KG55-01042	Oil Gas Separation Net	1
27	KG105-01039a	Oilgear shaft	1
28	KG160-11013	Speed restriction gear washer	2



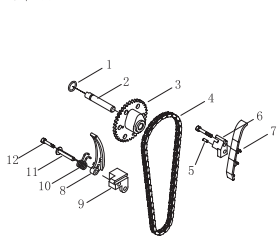
Exhaust System (KG171GTi-08000)

No.	Part No.	Description	Qty.
1	KG171GTi-08100	Welding Part of Muffler	1
1-1	KG171GTi-08100a	Muffler	1
2	KG171GTi-08002	Muffler Gasket	1
3	GB/T5789-2000	Hexagonal Flange Bolt M6X80	2
4	KG171GTi-08001a	Exhaust Pipe	1
5	GB/T5789-2000	Hexagonal Flange Bolt M6X80	2
6	KG171GTi-08190	Spark Catcher	1
7	GB/T846-1985	Plus Screw ST3.5X7	1



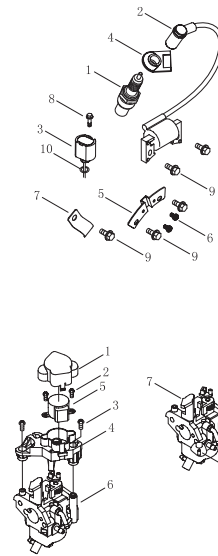
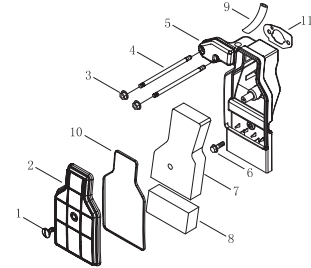
Distribution and Decompression Mechanism Assembly (KG171AGTI-06000)

No.	Part No.	Description	Qty.
1	KG105AGTI-06014	O-ring seal(6x2)	1
2	KG171AGTI-06013	Drive shaft	1
3	KG171AGTI-06100	Cam timing drive chain	1
4	KG171-06002	Rolling chain	1
5	KG55-01004	Location pin of crankcase cover	1
6	KG105-06012	Clip block	1
7	KG171-06003	Chain pallet	1
8	KG171-06001	Chain clamp plate	1
9	KG171-06011	Bearing plate	1
10	KG105-06008a	Strain spring	1
11	KG105-06009	Strain spring pin shaft	1
12	GB/T70.1-2000	Screw M6X25	2



Inlet System (KG171AGTI-07000)

No.	Part No.	Description	Qty.
1	KG171GTi-07102	Fasten screw	1
2	KG171GTi-07101	Air cleaner cover	1
3	GB/T6177.1-2000	Hexagonal flange nut M6	2
4	KG171GTi-07002a	Tighten stud of inlet port	2
5	KG171GTi-07110	Air cleaner case assembly	1
6	GB/T5789-2000	Hexagonal flange bolt M5X16	1
7	KG171GTi-07103	Refined air cleaner element	1
8	KG171GTi-07104	Rough air cleaner element	1
9	KG171AGTI-07001	Ventilation pipe	1
10	KG171GTi-07105	Seal gasket	1
11	KG171-07003	Air cleaner gasket	1

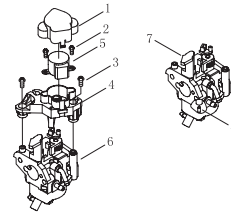


Ignition System (KG171AGTI-14000)

No.	Part No.	Description	Qty.
1	QC/T430-1999	Spark Plug WR7DC	1
2	KG105-14100	Ignition Coil	1
3	KG171GTi-14200	Oil Alarm	1
4	KG105AGTI-14101	Seal Sheath	1
5	KG171GTi-14002	Installation Plate of Ignition Trigger	1
6	GB/T818-2000	Plus Screw M4X8	2
7	KG171GTi-14003	Motor Wire Pressure Plate	1
8	GB/T5789-2000	Hexagonal Flange Bolt M6X12	1
9	GB/T5789-2000	Hexagonal Flange Bolt M6X16	5
10	KG105-14201	O-Seal Ring (11.7X2.5)	1

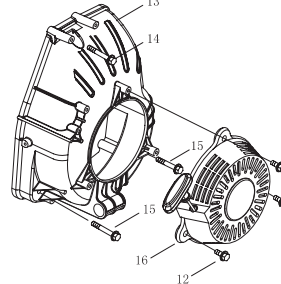
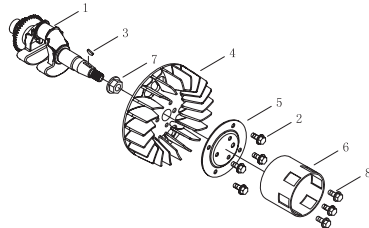
Carburetor Assembly (KG171GTi-10000)

No.	Part No.	Description	Qty.
1	KG55-10002	Motor Bracket Cover	1
2	GB/T818-2000	Plus Screw M3X5	2
3	GB/T818-2000	Plus Screw M4X10	2
4	KG55-10001	Motor Bracket	1
5	24BYJ-24	Stepping Motor	1
6	P20-000	Carburetor Parts	1
7	P20-028	Choke Valve Handle	1
8	P20-009/P20-009a	Main Metering Jet	1



Crankshaft Assembly (KG171-05000a)

No.	Part No.	Description	Qty.
1	KG171GTi-05100	Crankshaft	1
2	GB/T5789-2000	Hexagonal Flange Bolt M6X16	4
3	KG160-05007	Key	1
4	KG3300Ti-05001	Fan	1
5	KG171GTi-05006	Claw Disc Bracket	1
6	KG160-05005a	Starting Claw Disc	1
7	KG160-05004	Flywheel Nut	1
8	GB/T5789-2000	Hexagonal Flange Bolt M6X12	3



Recoil Starter and Air Conduit Cover Assembly (KG171GTi-12000)

No.	Part No.	Description	Qty.
1	KG171-12110	Starter Outer Shell Part	1
2	KG240-12006	Tighten Bolt	1
3	KG240-12005	Pallet Guide Plate	1
4	KG240-12004	Friction Spring	1
5	KG240-12008	Pallet	2
6	KG240-12007	Pallet Spring	2
7	KG160-12002a	Starter Reel Shaft	1
8	KG160-12003	Recoil Starter Spring	1
9	KG105-12202	Starting Handle Cover	1
10	KG105-12201	Starting Handle	1
11	KG160-12009	Starting Pulling Rope	1
12	GB/T5789-2000	Hexagonal Flange Bolt M6X16	3
13	KG3000Ti-04001	Air Conduit Cover Part	1
14	GB/T5789-2000	Hexagonal Flange Bolt M6X45	1
15	GB/T5789-2000	Hexagonal Flange Bolt M6X55	2
16	KG171-12100	Recoil Starter Part	1

Piston Connection Rod Assembly (KG171-04000)

No.	Part No.	Description	Qty.
1	KG171-04003	Oil ring parts	1
2	KG171-04002	First air ring	1
3	KG171-04001	Second air ring	1
4	KG171-04004	Piston	1
5	KG135L-04004	Piston pin	1
6	KG135L-04005	Retainer	2
7	KG171-04101	Connecting rod body	1
8	KG171-04102	Connecting rod cover	1
9	KG160-04203	Connecting rod bolt	2

