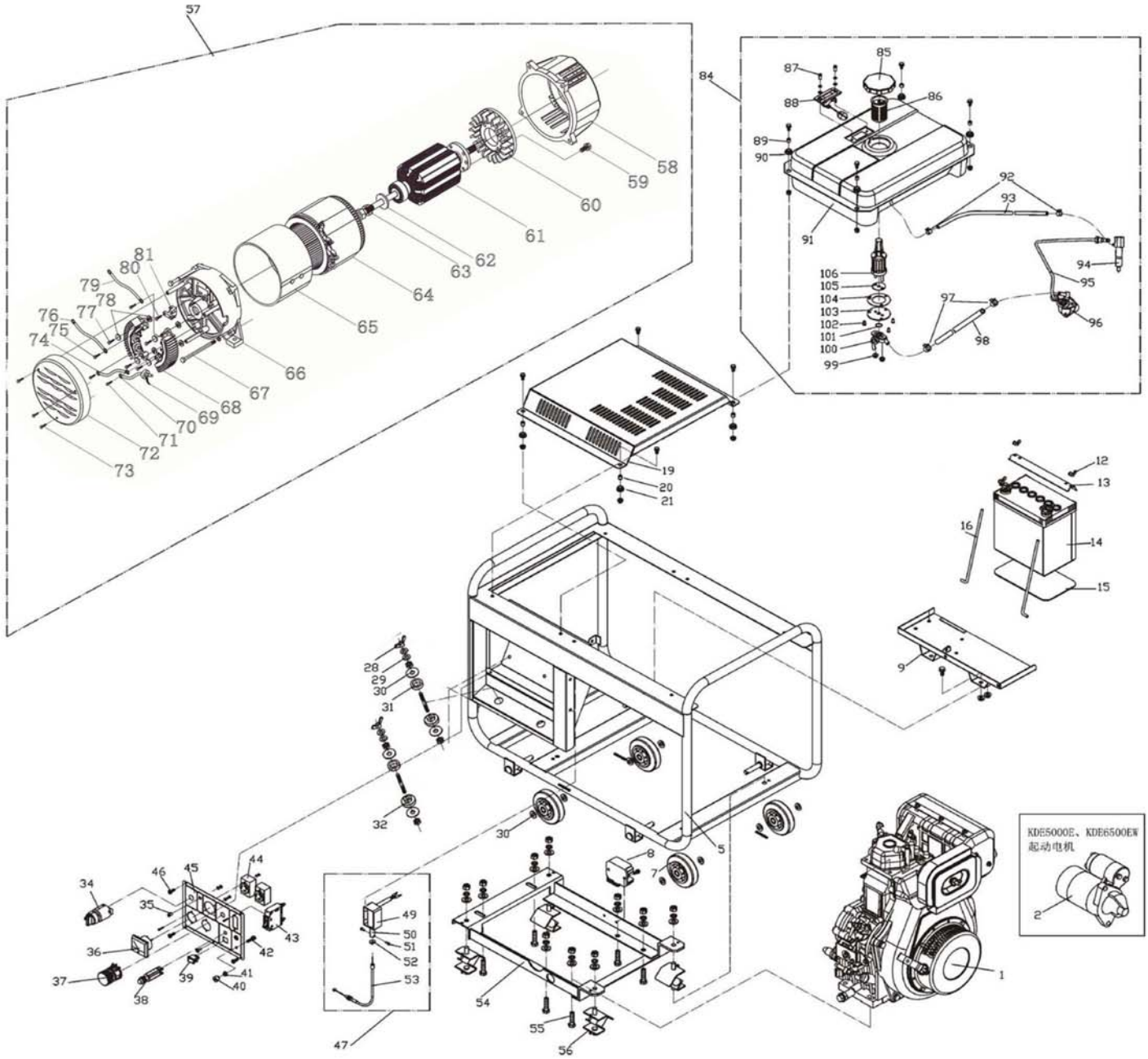


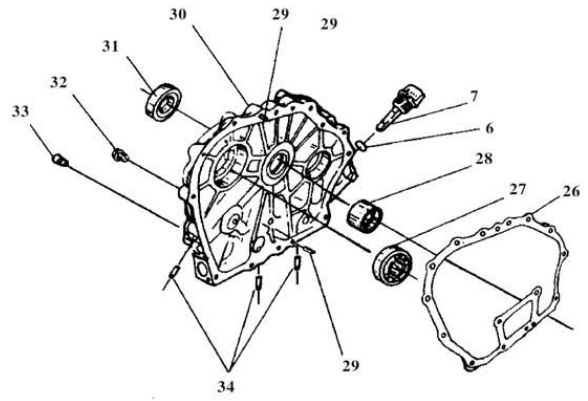
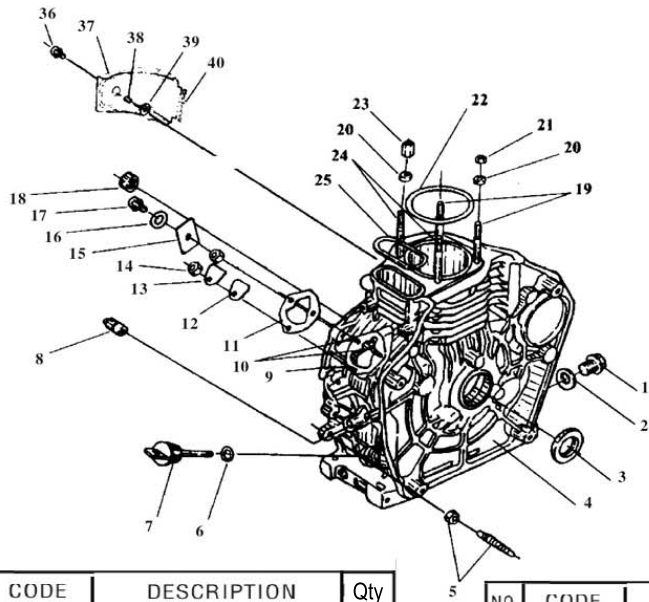
Model DW180E



No.	Part.No	Description	Qty.	No.	Part.No	Description	Qty.	No.	Part.No	Description	Qty.	No.	Part.No	Description	Qty.
1	KM186FG-00000	Air-cooled diesel	1	28	GB/T62-1988	Wing nut	2	55	GB/T5783-2000	Bolt M10×40	6	82			
2	KM186F-15100	Starting motor	1	29	GB/T95-2000	Washer (1)	4	56	5GF-LDE-03700	Cushion	4	83			
3				30	GB/T95-2000	Washer (2)	12	57	KTW204	Alternator assembly	1	84	KDE6500EW-30000	Fuel tank assembly	1
4				31	KDE6500EW-09004	Insulating cushion (1)	2	58	KT204-00002A	Front cover of alternator	1	85	5GF-LDE-07200	Fuel tank cap unit	1
5	KDE6500EW-03100	Housing weldment assembly	1	32	KDE6500EW-09005	Insulating cushion (2)	2	59	GB5789-2006	Bolt M5*10	3	86	KM186F-10004	Fuel filter screen	1
6				33			2	60	KT204-01004	Fan of alternator	4	87	GB/T819.1-2000	Fuel return pipe hoop	2
7	5GF-LDE-03600	Truckle	4	34	JK427	Starting key	1	61	KTW204-01000	Rotor assembly	1	88	KDE5000X-32000	Oil mark unit	1
8	CDQ-36	Adjusting regulator	1	35	CLAD	Oil pressure alarm	1	62	GB97.1	Washer Φ10	1	89	KDE5000X-30005	Bushing	4
9	KDE6500EW-03200	Splint weldment	1	36	MV52.5 0-300V	Voltage meter	1	63	KTW204-00004	Pull-through shaft bolt M10×278	1	90	KDE5000X-30004	Cushion	4
10				37	WX111-150A±5%	Adjusting switch of welder and current	1	64	KTW204-02000	Stator assembly	1	91	KDE5000X-31000	Fuel tank weldment	1
11				38	AD11-16/24-6GD	Welder indicating light	1	65	KTW204-00006	Protected plate of alternator	1	92	KM186F-10013	Fuel filter pipe hoop	2
12	GB/T62-1988	Wing nut	2	39	RF1004	Welding selective current switch	1	66	KT204-00001A	Rear cover	1	93	KDE6500EW-300002	Fuel return pipe	1
13	KDE5000T-03003	Accumulator pressure plate	1	40	GB-806-88	Grounding screw cap M6	1	67	KT204-00003	Bolt M6×140	1	94	KM186F-13000	Nozzle	1
14	36AH	Accumulator 12V	1	41	GB/T6177-2000	Nut M6	1	68	SU204-04000	Monopole Diode	1	95	KM186F-10500	High-pressure fuel pipe	1
15	KDE3300X-00002a	Accumulator washer	1	42	JB4110-85	Bolt M6×20	1	69	SU204-04001	Mutual inductor	2	96	KM186F-12000	Fuel pump	1
16	KDE6500EW-03004	Accumulator pull rod	2	43	D50/1620 16A	Breaker	1	70	SU204-04002	Wiring	1	97	KM186F-30011	Fuel filter pipe hoop	2
17				44	250V-26A	Honda single-phase receptacle	2	71	GB5789-2006	Bolt M5*10	4	98	KDE6500EW-11001	Fuel filter pipe	1
18				45	KDE6500EW-13110H	Honda control panel	1	72	KDE6500EW-03020	Air guide plate weldment	1	99	GB/T6177-2000	Nut M6	2
19	KDE6500EW-08001	Decorate plate of coping	1	46	GB/T818-2000	Screw M6×16	4	73	GB5789-2006	Bolt M5*10	1	100	KM186F-10400	Fuel tank switch assembly	1
20	KDE5000X-30005	Bushing	4	47	KDE3500X-40000a	Electromagnet assembly	1	74	SU204-04003	Wiring	4	101	GB/T3452.1-1992	O-ring	1
21	KDE5000X-30004	Cushion	4	48			4	75	GB5789-2006	Bolt M5*10	1	102	GB/T819.1-2000	Screw M5×8	3
22				49	DCT-12-C	Electromagnet	1	76	SU204-04004	Wiring	1	103	KDE5000X-31006	Seal plate	1
23				50	DCT-12-C	Iron-core	1	77	GB5789-2006	Bolt M5*16	1	104	KDE5000X-31007	Seal washer	1
24				51	GB/T818-2000	Screw M5×18	2	78	GB97.1	Washer Φ 5	8	105	KM186F-10007	Seal washer	1
25				52	KDE3500X-40000a	Electromagnet accumulator	1	79	SU204-04005	Wiring	1	106	KM186F-10300	Element assembly	1
26				53	KDE3500X-41000a	Flexible shaft unit	1	80	GB5789-2006	Bolt M5*20	1	107			
27				54	KDE6500EW-03400	Housing base weldment assembly	1	81	D104	Carbon brush	2	108			

1 CYLINDER BLOCK ASSEMBLY

SU186FA



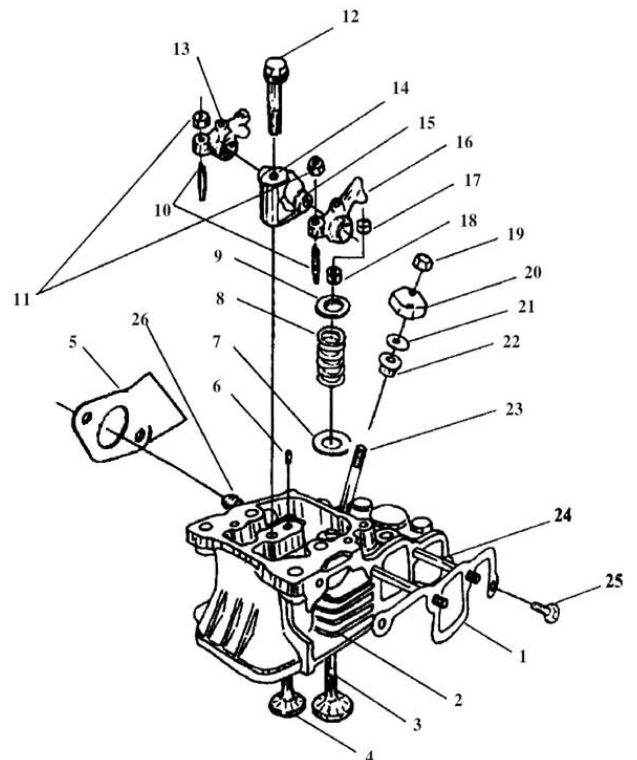
NO.	CODE	DESCRIPTION	Qty
1	7001017	Drain Plug	1
2	7001100	Oil Plug Seal Assem	1
3	9701351	Oil Seal SG30*45*8 SG35*50*10	1
4	8601001	Cylinder Block	1
5	8611200	Fuel Controller Assem	1
6	9702024	O-Ring24*2.4	2
7	7801002	Oil Filler Cap	2
8	9802008	Needle Bearing7941/8	2
9	7001012	Stud Plate(Short)	1
10	7001011	Stud Plate(Long)	2
11	7012001	Fuel Injection Pump Gasket	By necessity

NO.	CODE	DESCRIPTION	Qty
12	7012003	Seal Gasket	1
13	7012002	Seal Plate	1
14	9901061	Nut M6	3
15	7001009	Retainer	1
16	9903080	Washer8	1
17	9902081	Bolt M8*12	1
18	9802015	Needle Bearing37941/15	1
19	8601003	Cylinder Head Stud(Short)	2
20	8601007	Cylinder Head Washer	4
21	8601005	Cylinder Head Nut(Short)	2
22	8601013	Cylinder Head Gasket	1
23	8601006	Cylinder Head Nut(Long)	2

NO.	CODE	DESCRIPTION	Qty
24	8601004	Cylinder Head Stud(Long)	2
25	8601008	Ring	1
26	8601015	Crank Case Gasket	1
27	9801207	Ball Bearing D205 D206 D207	1
28	8601014	Main Bearing	1
29	9905081	Pin8*12	2
30	8601016	Crank Case Cover	1
31	9701351	Oil Seal SG25*42*10 SG30*45*10 SG35*50*10	1
32	9902083	Bolt M8*33.5	16
33	7001019	Plug	1
34	7001021	Plunger8	3
35		BoltM6*25	
36		BoltM6*14	1
37	8601018	Air Gover	1
38	7801502	Air Gover Collar	1
39	7801601	Shock Absorber	1
40	7801603	Shock Absorber Seat	1

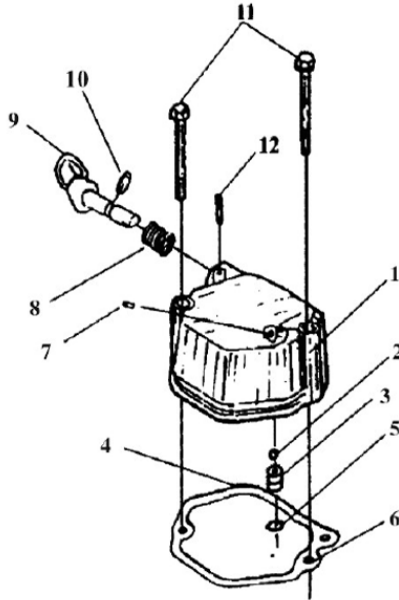
2 CYLINDER HEAD ASSEMBLY

NO.	CODE	DESCRIPTION	Qty
1	8602014	Air intake Gasket	1
2	8602200	Cylinder Head	1
3	8602003	Intake Valve	1
4	8602004	exhaust valve	1
5	8602015	Silencer Gasket	1
6	9905041	Pin4*8	1
7	8602007	Valve Spring Washer	2
8	8602005	Valve Spring	2
9	8602002	Spring Retainer	2
10	7002105	Valve Screw	2
11	9901060	Nut M6	2
12	8602106	Rocker Arm Bolt	1
13	8602103	Exhaust Valve Rocker Arm	1
14	8602102	Rocker Arm Support	1
15	8602101	Rocker Arm Shaft	1
16	8602104	Intake Valve Rocker Arm	1
17	8602016	Valve Adjusting Plate	2
18	8602001	Cotter	4
19	9901061	Nut M6	2
20	7002009	Nozzle Retainer	1
21	7002018	Spacer Washer	1
22	7002011	Spacer	1
23	9909062	Stud AM6*50	2
24	9909064	Stud AM6*55 AM6*75	2
25	9902070	Bolt M6*25	3
26	9909081	Stud AM8*20	2



3 CYLINDER HEAD BONNET ASSEMBLY

SU186



NO.	CODE	DESCRIPTION	Qty
1	8603001	Cylinder Head Bonnet	1
2	7003201	Ball	1
3	7003202	Breather Assem	1
4	7003203	Pin	1
5	9702012	O-Ring12*1.9	1
6	8603003	Bonnet Gasket	1
7	7001021	Plunger8*10	1
8	7003004	Decompression Spring	1
9	7003100	Decompression Shaft Assem	1
10	9702010	O-Ring10*1.9	1
11	9902075	Bolt	2
		M6*55	M6*70
12	9905316	Pin3*16	1

4 PISTON & CONNECTING ROD ASSEMBLY

NO.	CODE	DESCRIPTION	QTY	
1	8604100	Oil Ring Assem	1	
2	8604101	First Gas Ring	1	
3	8604102	Second Gas Ring	1	
4	8604103	Piston	1	
5	8604104	Piston Pin	1	
6	9906023	Washer	1	
		19	21	23
7	8604201	Connecting Rod Body	1	
8	8604203	Rod Nut	2	
9	8604205	Rod Bolt Nut	2	
10	9905310	Pin3*10	2	
11	8604202	Crank Pin Box	1	
12	8604204	Rod Bolt Washer	2	
13	8604205	Crank Pin Bearing	2	

5 CRANK SHAFT & FLYWHEEL ASSEMBLY

NO.	CODE	DESCRIPTION	Qty	
1	9801203	Ball Bearing	2	
		202	203	
2	8605007	Balancer Shaft	1	
3	9904051	Key5*7	2	
4	8605006	Balancer Gear	1	
5	8605004	Crank Shaft Timing Gear	1	
6	8605201	Crank Shaft	1	
7	7005202	Plunger6	1	
8	9904052	Key5*12	1	
8-1	9904053	Key5*14	1	
9	9904061	Key	1	
		5*45	6*50	
10	8605101	Fly wheel	1	
11	8605102	Fly Wheel Gear	1	
12	8605003	Fly Wheel Nut Washer	1	
13	8605002	Fly Wheel Nut	1	
14	8605001	Starter Pulley	1	
15	9902062	Bolt M6*12	4	
16	9801308	Ball Bearing	1	
		6306	6307	6308
17	8605009	Balancer Gear	1	

6 CAMSHAFT ASSEMBLY

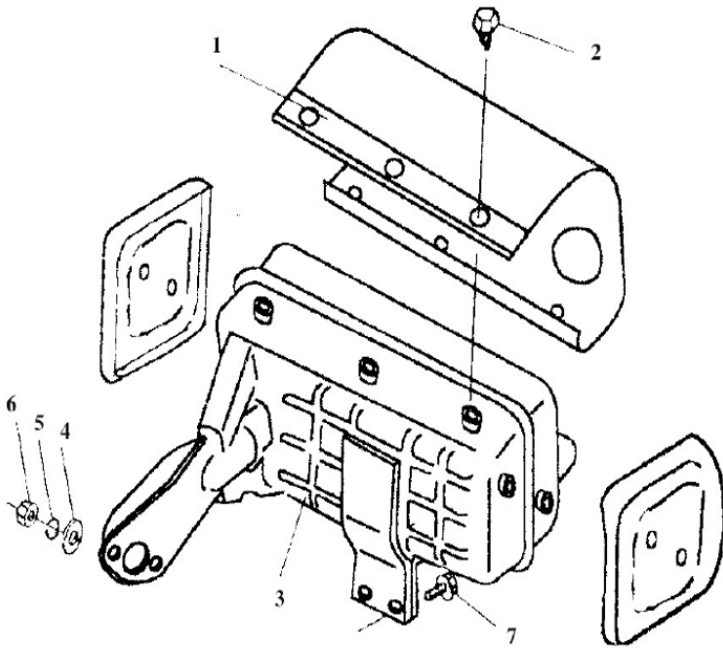
NO.	CODE	DESCRIPTION	QTY	
1	8606100	Valve Rod Assem	2	
2	8606003	Valve Tappet	2	
3	8606002	Camshaft Timing Gear	1	
4	9904053	Key	1	
		5*14	4*12	5*14
5	8606001	Camshaft	1	

7 AIR CLEANER ASSEMBLY

NO.	CODE	DESCRIPTION	QTY
1	8607001	Air Cleaner Gasket	1
2	8607401	Intake Pipe	1
3	8607300	Air Cleaner Bottom Case Assem	1
4	8607303	Shock Absorber Washer II	1
5	7007402	Air Cleaner Element Bolt	1
6	9901061	Nut6	3
7	8607100	Air Cleaner Element Assem	1
8	8607101	Air Cleaner Element Shock Absorber	1
9	8607203	Shock Absorber Washer I	1
10	8607201	Ring	1
11	8607211	Air Cleaner Shock Absorber	1
12	8607107	NutM6	1
		12	
13	9903080	Washer	1
		8	
14	8607200	Air Cleaner Cover Assem	1

8 SILENCER ASSEMBLY

SU186

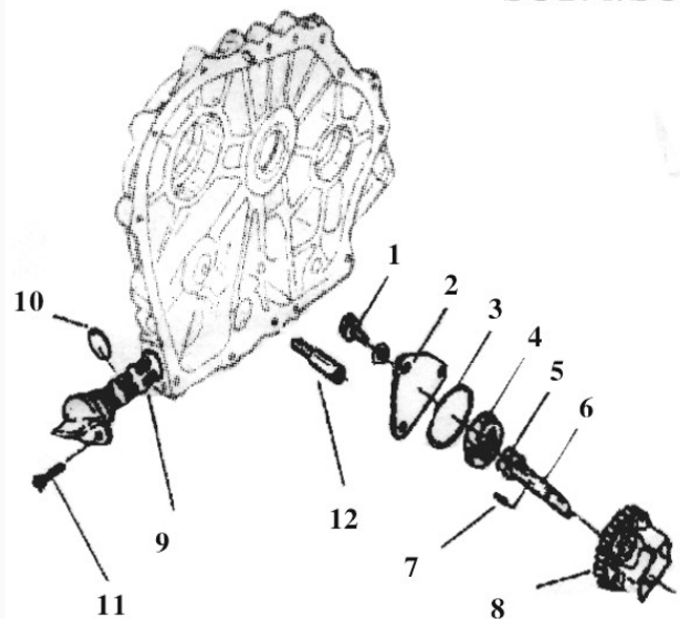


NO.	CODE	DESCRIPTION	Qty
1	8608100	Case Assem	1
2	9902061	Bolt M6*8	10
3	8608200	Silencer Welded Assem	1
4	9903080	Washer8	2
5	9903081	Washer8	2
6	9901080	Nut M8	2
7	9902081	Bolt M8*12	2

9 LUBE OIL SYSTEM

NO.	CODE	DESCRIPTION	Qty
1	9902061	Bolt M6*8	3
2	7009003	Oil Pump Cover	1
3	9702345	O-Ring34.5*1.8	1
4	7009103	Outer Rotator	1
5	700901	Inner Rotator	1
6	869102	Oil Pump shaft	1
7	9905031	Pin3*18	1
8	7809004	Oil Pump Gear	1
9	7809200	Oil filter Assem	1
10	9702025	O-Ring25*2.4	1
11	9902064	Bolt M6*14	1
12	7809005	Intake Pipe	1

SU178/SU186

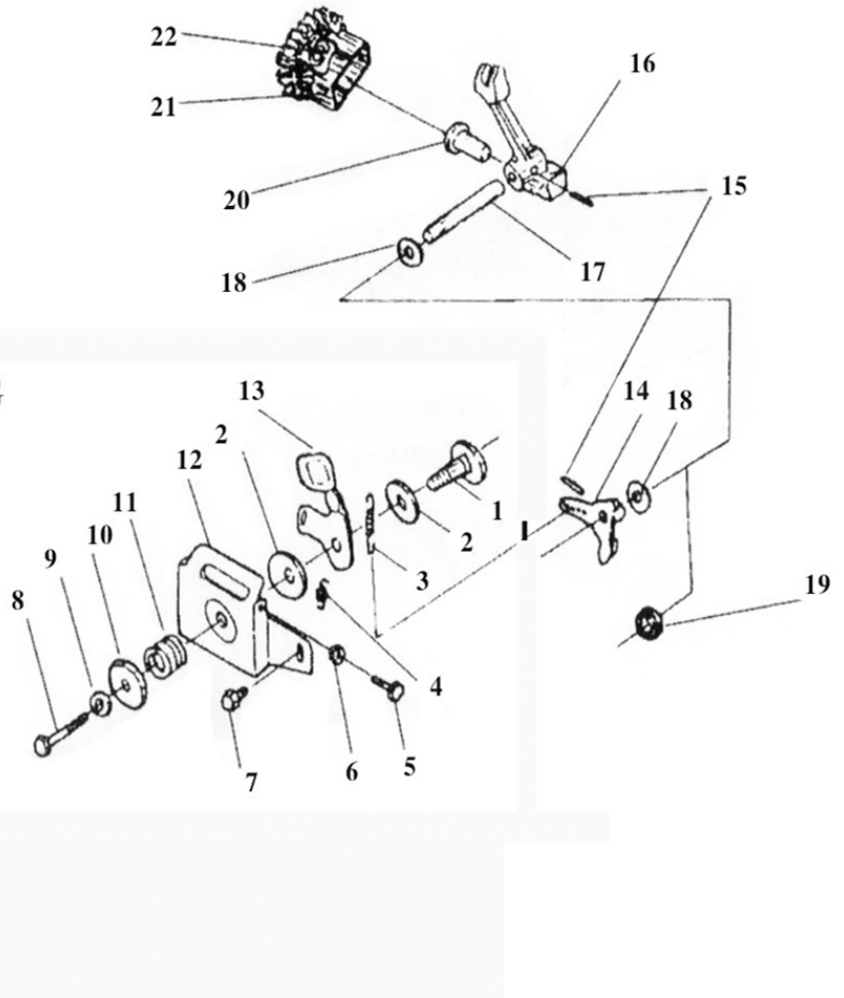


10 GOVERNOR & CONTROL SYSTEM

SU170/SU178/SU186

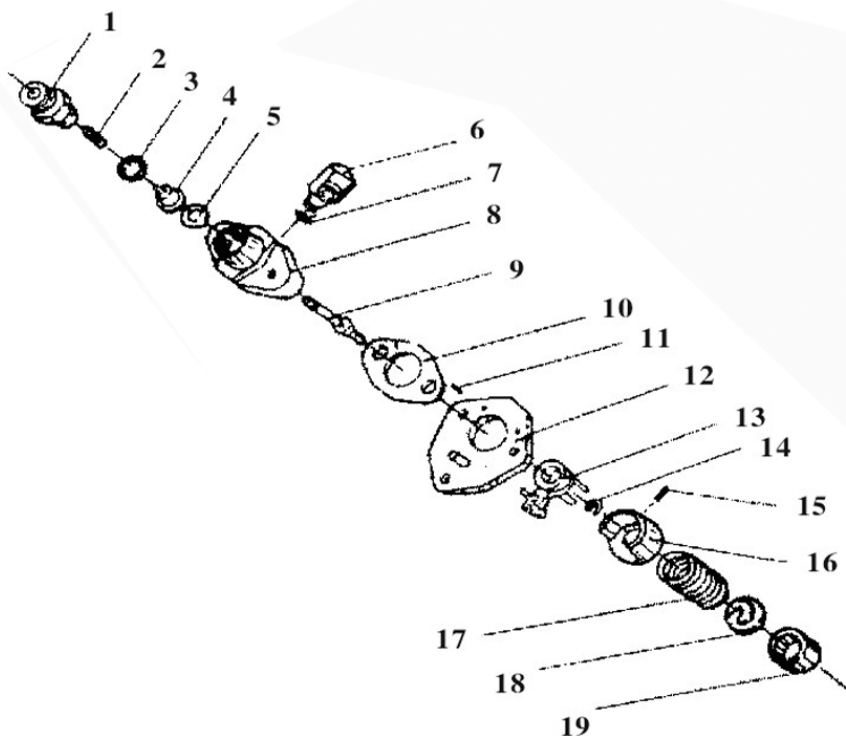
NO.	CODE	DESCRIPTION	Qty
1	7011401	Control Handle Shaft	1
2	7011402	Governor Handle Shaft Washer	2
3	7011006	Governor spring	1
4	7011005	Return Spring 1 I	1
5	7011406	High speed Limit Screw	1
6	9901060	Nut M6	1
7	9902064	Bolt M6*14	1
8	9902069	Bolt M6*20	1
9	9901010	Nut M10*1.25	1
10	7011407	Bowl-Shape Cover	1
11	7011405	Spring	1
12	7011404	Handle Bracket	1
13	7011403	Control Handle	1
14	7011110	Governor Lever Welded Part	1
15	9700322	Pin3*22	2
16	8611601	Lever Fork	1
17	7011102	Lever Shaft	1
18	7011003	Governor Lever Washer	3
19	7011008	Seal8 × 14 × 2.5	1
20	7011004	Tappet	1
21	7011001	Fly Block	2
22	7011002	Fly Block Pin	2

FG



11 FUFL INJECTION PUMP ASSEMBLY

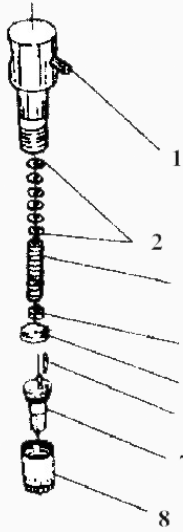
SU170/SU178/SU186



NO.	CODE	DESCRIPTION	Qty
1	7012006	Delivery Holder	1
2	7012008	Delivery Spring	1
3	7012009	Delivery Gasket	1
4	7012201	Delivery Valve	1
5	7012202	Delivery Seat	1
6	7012400	Joint	1
7	7012005	O-Ring	1
8	8612101	F.I.pmp Body	1
9	8612100	Plunger	1
10	7012013	Shim Set	
11	9905206	Pin2*6	2
12	7012011	Packing	1
13	7012300	Control lever Assem	1
14	7012004	Snap Ring	1
15	9905308	Pin3*8	1
16	7012012	Spring Seat	2
17	7012016	F.I.Pump Spring	1
18	7012015	Spring Seat	1
19	7012014	Tappet	1

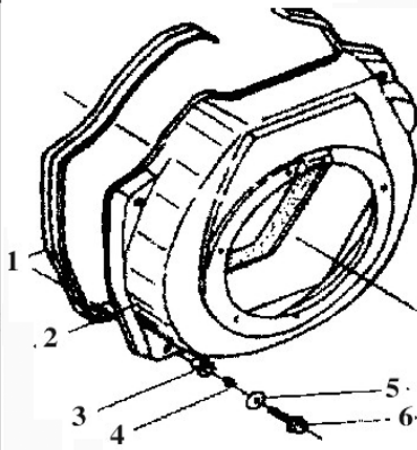
12 FUEL NOZZLE ASSEMBLY

SU170/SU178/SU186



NO.	CODE	DESCRIPTION	Qty
1	7013200	Nozzle Holder Assem	1
2	7013007	Shim Pack	When Necessary
3	7013006	Nozzle Spring	1
4	7013005	Spring Retainer	1
5	7013003	Stop Plate	1
6	7013004	Pin	2
7	8613100	Nozzle Valve	1
8	7013002	Nozzle Case Nut	1

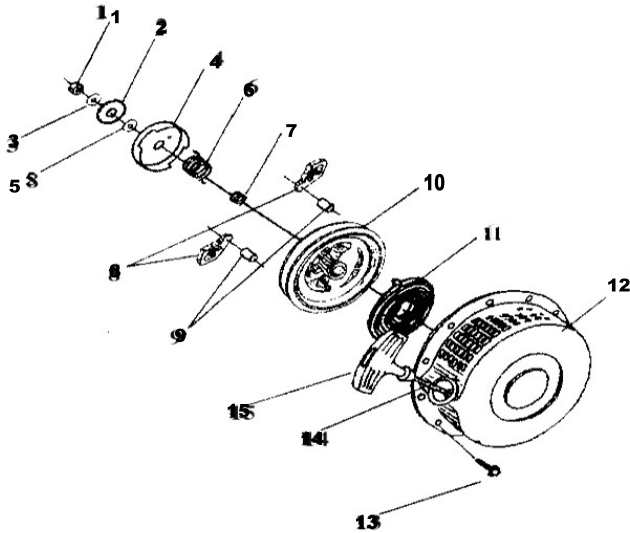
SU186



NO.	CODE	DESCRIPTION	Qty
1	8617003	Shock Absorber Seat	1
2	8617100	Fan Case Welded Assem	1
3	7017002	Shock Absorber	4
4	7017003	Collar	4
5	9903063	Washer6	4
6	9902070	Bolt M6*22	4

13 RECOIL STARTER ASSEMBLY

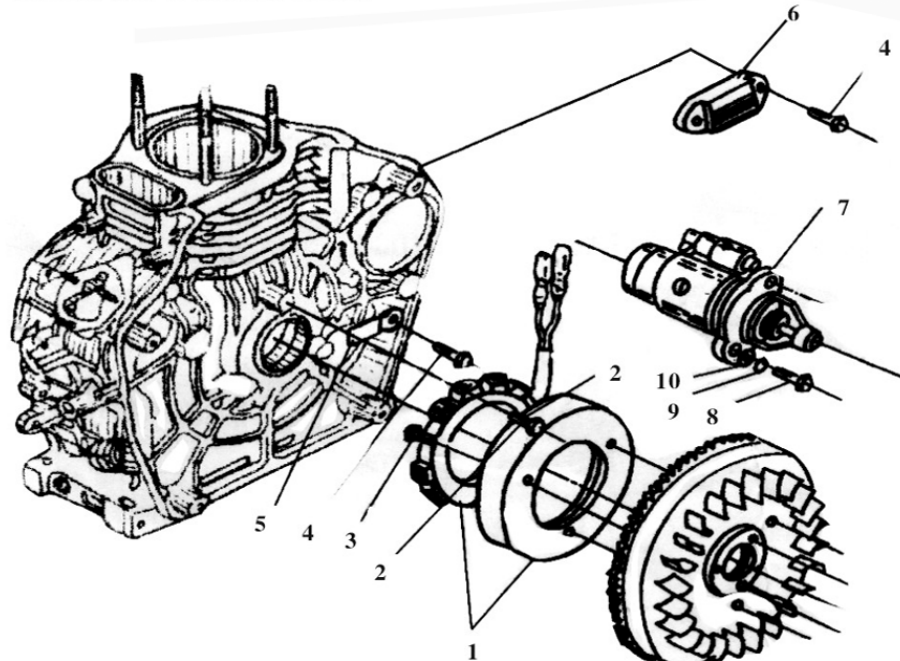
SU186



NO.	CODE	DESCRIPTION	Qty
1	9901081	Nut M6	1
2	7014006	Friction Plate	1
3	7014003	Friction Washer	1
4	7014004	Ratchet Plate	1
5	9903060	Washer6	1
6	7014005	Return Spring	1
7	7014002	Push Spring	1
8	7014001	Ratchet	2
9	9905082	Pin8*18	2
10	8614012	Reel	1
11	8614009	Spiral Spring	1
12	8614100	Case Assem	1
13	9902061	Bolt M6*8	4
14	8614008	Starter Rope	1
15	7814007	Starter Handle	1

15 STARTER & GENERATOR ASSEMBLY

SU170/SU178/SU186



NO.	CODE	DESCRIPTION	Qty
1	7016100	Fly Wheel Generator	1
2	9902067	Bolt M6*20	3
3	9902063	Screw M6*12	3
4	9902062	Bolt M6*12	3
5	7016003	Clamp	1
6	7016004	Regulator	1
7	7016005	Starting motor	1
8	9902103	Bolt M10*35	2
9	9903100	Washer10	2
10	9903101	Washer10	2