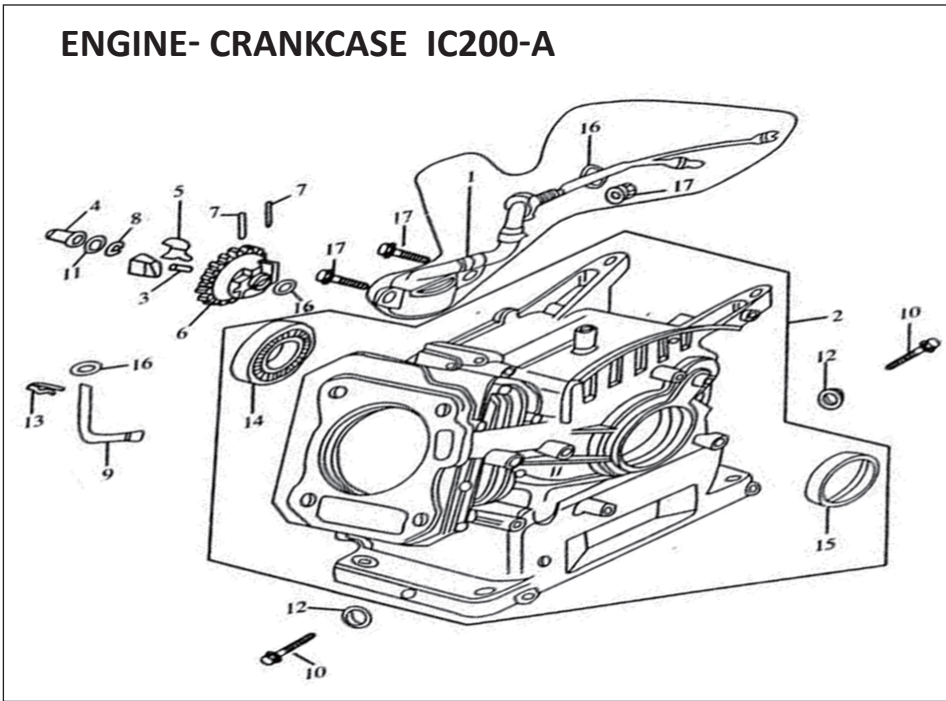


Exploded parts list

GASOLINE GENERATOR

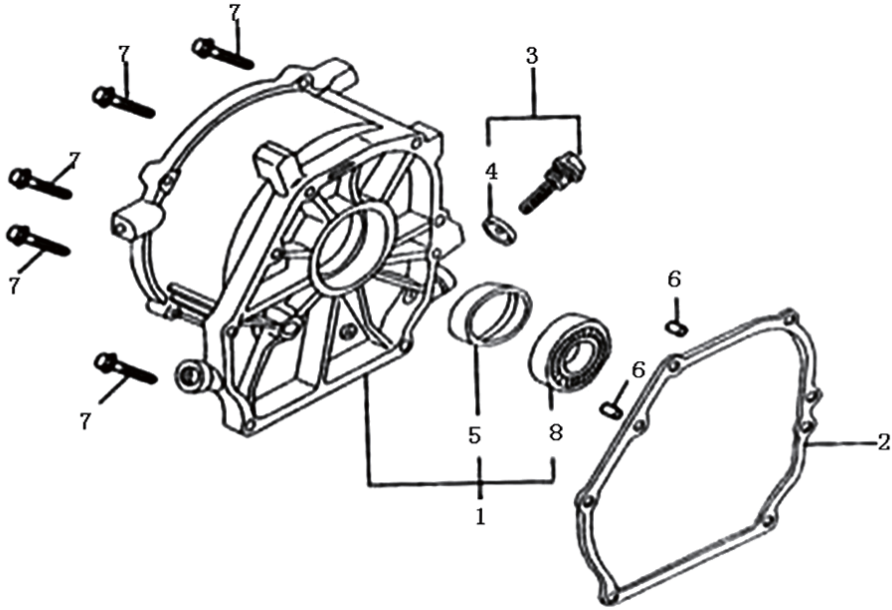
IC200 Engine - HY2500/3100 (L/LE/LE-3)

ENGINE- CRANKCASE IC200-A



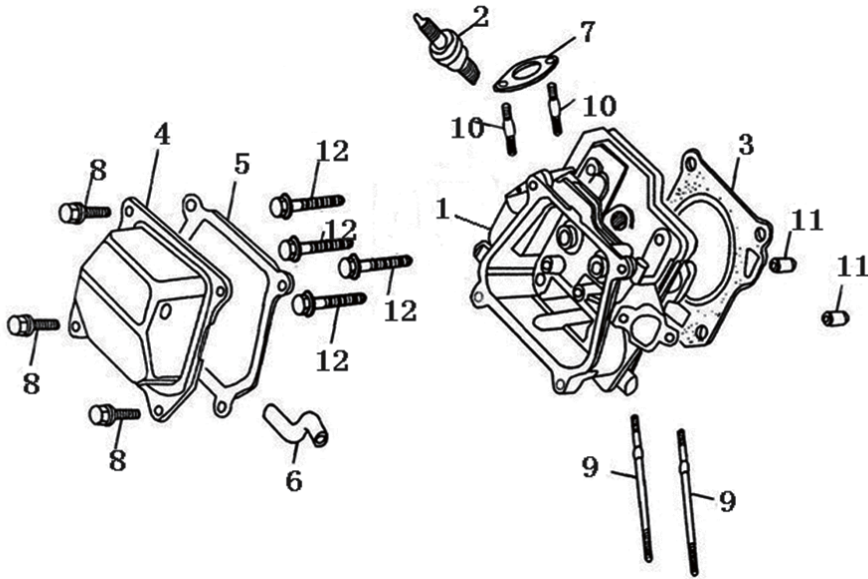
POS	REF	DESCRIPTION	配件	QTY	Remark
1	IC200-A01	Oil lever switch assy	机油传感器	1	
2	IC200-A02	Crankcase	曲轴箱体	1	
2-1	IC200-A02-1	Crankcase	曲轴箱体 (电启动)	1	
3	IC200-A03	Governor shaft	调速轴	1	
4	IC200-A04	Governor slider	调速滑块	1	
5	IC200-A05	Governor weight	调速飞块	2	
6	IC200-A06	Crankcase	调速齿	1	
7	IC200-A07	Governor weight pin	飞块销	2	
8	IC200-A08	Governor holder clip	调速轴卡圈	1	
9	IC200-A09	Governor arm shaft	调速摆杆	1	
10	IC200-A10	Drain oil bolt M10*15*1.25	放油螺栓M10*15*1.25	2	
11	IC200-A11	Governor washer	调速滑套垫片	1	
12	IC200-A12	Drain oil bolt washer φ10×φ16×1.5	放油螺栓垫片 φ10×φ16×1.5	2	
13	IC200-A13	Lock pin 1*5.7	调速摆杆卡簧1*5.7	1	
14	IC200-A14	Radial ball bearing 6205	轴承6205	1	
15	IC200-A15	Oil seal φ25*41.25*6	油封 φ25*41.25*6	1	
16	IC200-A16	Governor shaft washer φ6*φ12*1.5	调速摆杆垫片 φ6*φ12*1.5	1	
17	IC200-A17	Flange bolt M6*16	法兰螺栓M6*16	2	

ENGINE- CRANKCASE COVER IC200-B



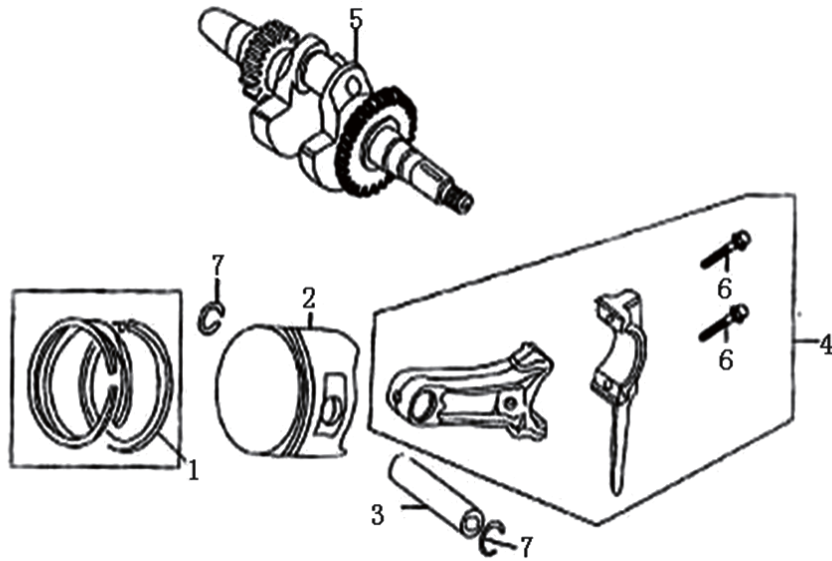
POS	REF	DESCRIPTION	配件	QTY	Remark
1	IC200-B01	Crankcase cover assy	曲轴箱盖	1	
2	IC200-B02	Crankcase cover packing	曲轴箱密封垫	1	
3	IC200-B03	Oil filter cap	机油尺组件	1	
4	IC200-B04	Oil filter cap packing	机油尺密封圈	1	
5	IC200-B05	Oil seal $\phi 25 \times 41.25 \times 6$	油封 $\phi 25 \times 41.25 \times 6$	1	
6	IC200-B06	Dowel pin $\phi 8 \times 12$	定位销 $\phi 8 \times 12$	2	
7	IC200-B07	Flange bolt M8*35	法兰螺栓M8*35	7	
8	IC200-B08	Radial ball bearing 6205	轴承 6205	1	

ENGINE- CYLINDER HEAD IC200-C



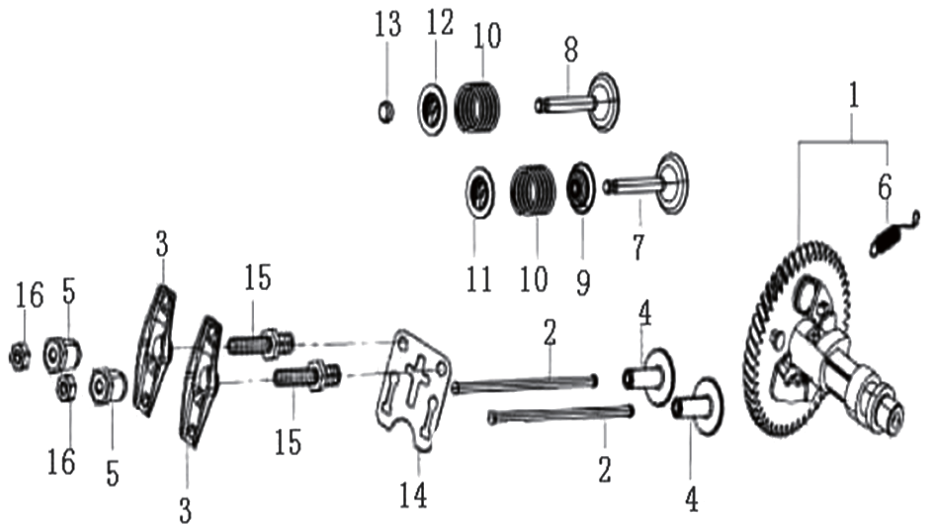
POS	REF	DESCRIPTION	配件	QTY	Remark
1	IC200-C01	Cylinder head comp	气缸头组件	1	
2	IC200-C02	Spark plug	火花塞	1	
3	IC200-C03	Gasket,cylinder head	气缸头密封垫	1	
4	IC200-C04	Cylinder head cover	缸头盖	1	
5	IC200-C05	Gasket,cylinder head cover	缸头盖密封垫	1	
6	IC200-C06	Tube	通气管	1	
7	IC200-C07	Muffler gasket	排气口密封垫	1	
8	IC200-C08	Flange bolt 6x12	法兰螺栓6×12	4	
9	IC200-C09	Bolt AM6x113	单机空滤双头螺栓AM6×113	2	
9-1	IC200-C09-1	Bolt AM6x90	机组空滤双头螺栓AM6×90	2	
10	IC200-C10	Bolt AM8x35	双头螺栓AM8×35	2	
11	IC200-C11	Dowel pinφ10x16	定位销φ10×16	2	
12	IC200-C12	Flange bolt M8x55	螺栓M8×55	4	

ENGINE - CRANKSHAFT, CONNECTING ROD IC200-D



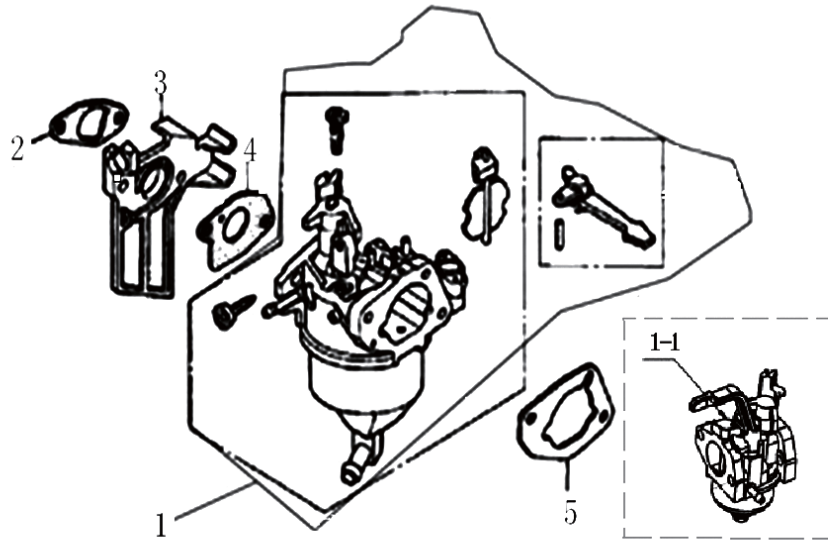
POS	REF	DESCRIPTION	配件	QTY	Remark
1	IC200-D01	Ring comp	活塞环组件	1	
2	IC200-D02	Piston	活塞	1	
3	IC200-D03	Piston pin	活塞销	1	
4	IC200-D04	Connecting rod assy	连杆	1	
5	IC200-D05	Crankshaft comp168FB-V	曲轴168FB-V	1	
6	IC200-D06	Connecting rod bolt M7*32	连杆螺栓	2	
7	IC200-D07	Piston pin clip	活塞销挡圈	2	

**ENGINE- IC200 VALVE, ROCKER ARM,
CAMSHAFT ASSY IC200-E**



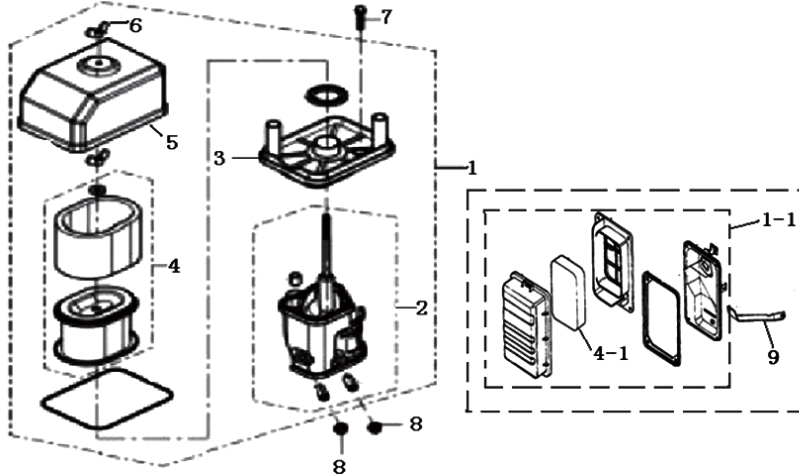
POS	REF	DESCRIPTION	配件	QTY	Remark
1	IC200-E01	Camshaft assy	凸轮轴	1	
2	IC200-E02	Push rod	推杆	2	
3	IC200-E03	Valve rocker arm	摇臂	2	
4	IC200-E04	Valve lifter	挺柱	2	
5	IC200-E05	Pivot rocker arm	气门调节螺母	2	
6	IC200-E06	Weight return spring	减压弹簧	1	
7	IC200-E07	Intake valve	进气门	1	
8	IC200-E08	Exhaust valve	排气门	1	
9	IC200-E09	Seat, valve spring	挡油罩	1	
10	IC200-E10	Valve spring	气门弹簧	2	
11	IC200-E11	Intake valve spring retainer	进气门弹簧座	1	
12	IC200-E12	Exhaust valve spring retainer	排气门弹簧座	1	
13	IC200-E13	Valve rotator	排气门弹簧垫块	1	
14	IC200-E14	PLATE SUBASSEMBLY, LIFTER STOPPER	挺杆限位板组合	1	
15	IC200-E15	Adjusting bolt, valve	气门摇臂双头螺栓	2	
16	IC200-E16	Pivot adjusting nut	气门锁紧螺母	2	

ENGINE- CARBURETOR ASSY IC200-F



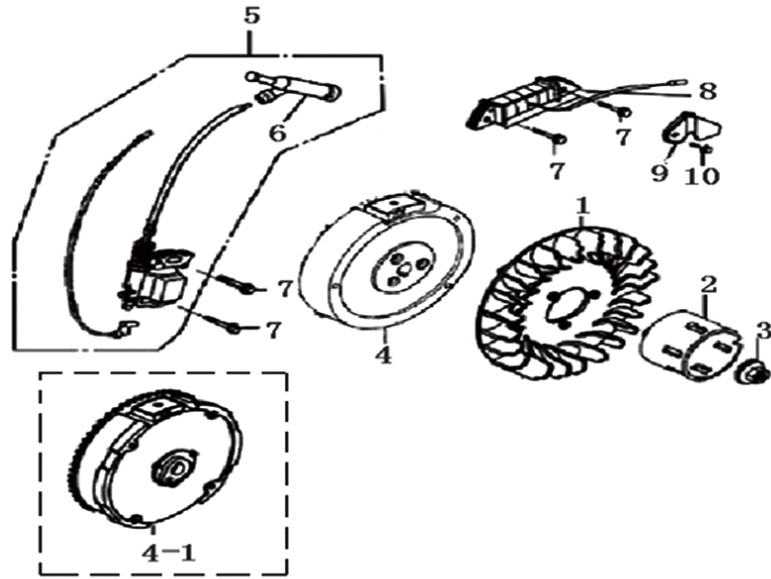
POS	REF	DESCRIPTION	配件	QTY	Remark
1	IC200-F01	Carburetor ASSY	单机型化油器总成	1	
1-1	IC200-F01-1	Carburetor ASSY	机组型化油器总成	1	
2	IC200-F02	Packing, insulator	进气口密封垫	1	
3	IC200-F03	Insulator, carburetor	化油器隔热板	1	
4	IC200-F04	Packing, carburetor	化油器密封垫	1	
5	IC200-F05	Packing air cleaner	空滤器密封垫	1	

ENGINE- AIR CLEANER ASSY IC200-G



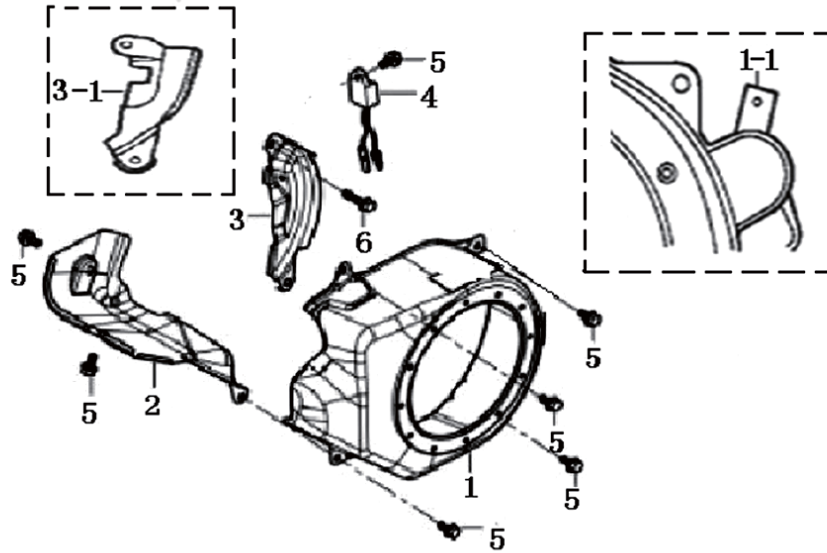
POS	REF	DESCRIPTION	配件	QTY	Remark
1	IC200-G01	Air cleaner ASSY	单机空气滤清器总成	1	
1-1	IC200-G01-1	Air cleaner ASSY	机组空气滤清器总成	1	
2	IC200-G02	Case comp, air cleaner	空滤器座	1	
3	IC200-G03	Separator, air cleaner	空滤器下盒盖	1	
4	IC200-G04	Element, air cleaner	单机空滤器滤芯	1	
4-1	IC200-G04-1	Element, air cleaner	机组空滤器滤芯	1	
5	IC200-G05	Cover, air cleaner	空滤器上盒盖	1	
6	IC200-G06	Nut, M6	蝶形螺母	1	
7	IC200-G07	Flange bolt M6×16	法兰螺栓M6 × 16	1	
8	IC200-G08	Nut, M6	法兰螺母M6	2	
9	IC200-G09	Empty filter stents	机组空滤器支架	1	

ENGINE- IGNITION COIL , FLYWHEEL IC200-H



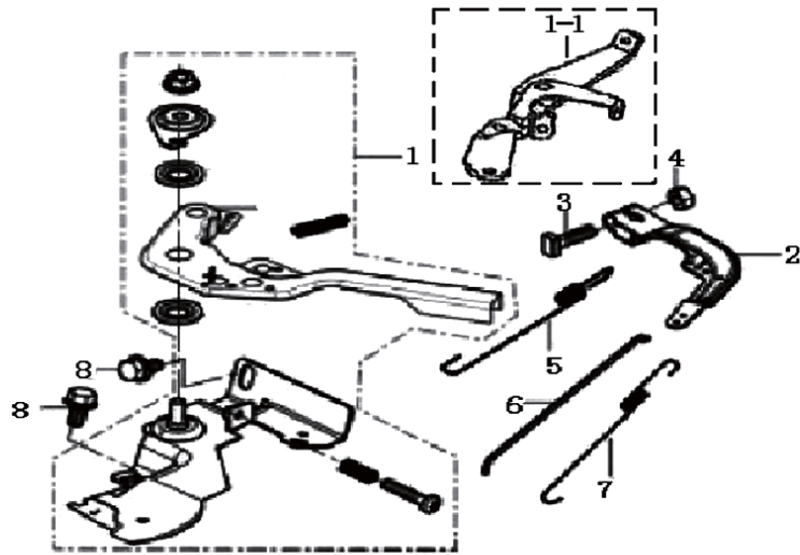
POS	REF	DESCRIPTION	配件	QTY	Remark
1	IC200-H01	Flywheel fan	飞轮风扇	1	
2	IC200-H02	Starting cup	启动杯	1	
3	IC200-H03	Nut M14	螺母M14	1	
4	IC200-H04	Flywheel	飞轮	1	
4-1	IC200-H04-1	Flywheel	电启动飞轮	1	
5	IC200-H05	Ignition coil assembly	点火线圈总成	1	
6	IC200-H06	Spark plug cap	火花塞帽	1	
7	IC200-H07	Flange bolt M6x25	法兰螺栓M6×25	4	
8	IC200-H08	Charging coil	充电线圈	1	
9	IC200-H09	Linking piece	线束压板	1	
10	IC200-H10	Flange bolt M6x8	法兰螺栓M6×8	1	

ENGINE- FAN COVER IC200-I



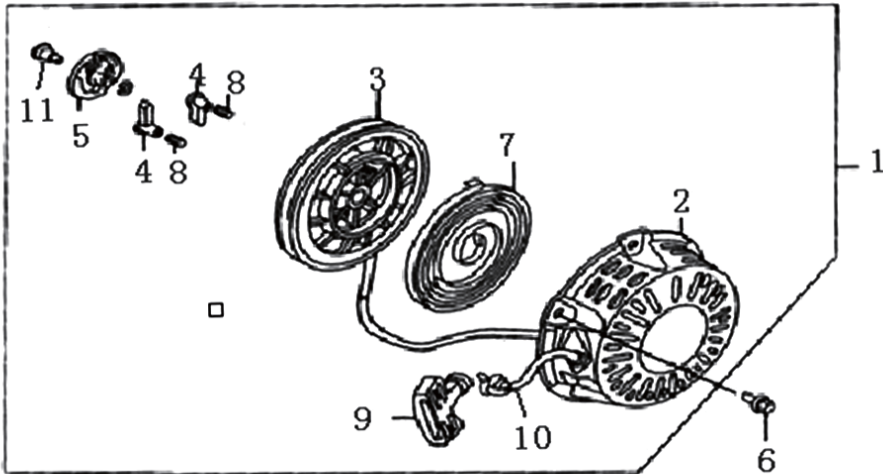
POS	REF	DESCRIPTION	配件	QTY	Remark
1	IC200-I01	Fan, cover comp	风扇罩	1	
1-1	IC200-I01-1	Fan, cover comp	电启动风扇罩	1	
2	IC200-I02	Shroud comp	气缸头导风罩	1	
3	IC200-I03	Plate, side	下风罩	1	
3-1	IC200-I03-1	Plate, side	电启动下风罩	1	
4	IC200-I04	Diode	单向导通器	1	
5	IC200-I05	Flange bolt M6×12	法兰螺栓M6 × 12	7	
6	IC200-I06	Flange bolt M6×16	法兰螺栓M6 × 16	1	

ENGINE - SPEED GOVERNOR IC200-J

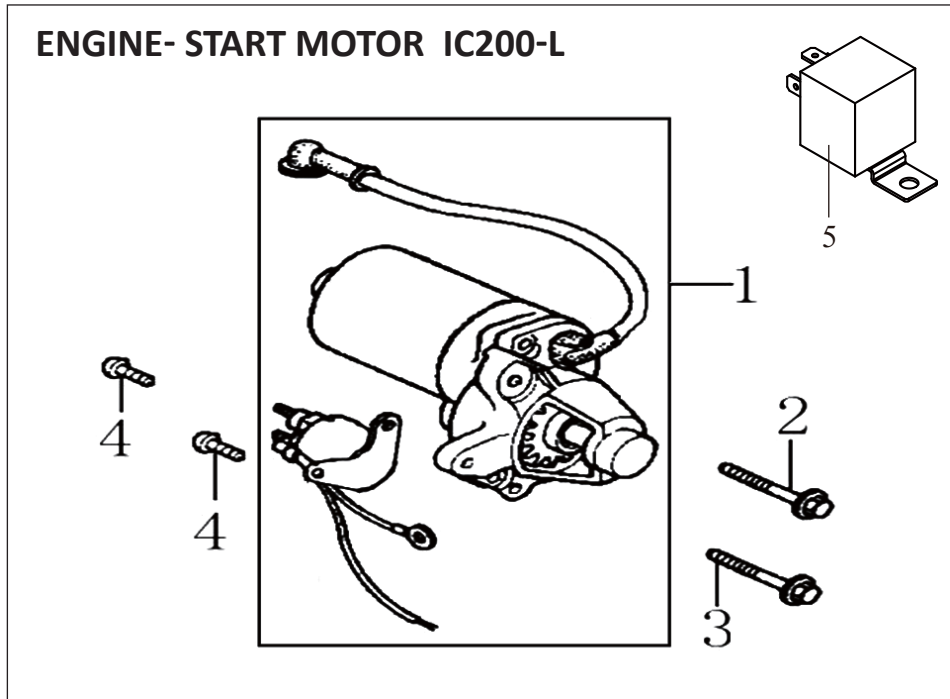


POS	REF	DESCRIPTION	配件	QTY	Remark
1	IC200-J01	Control assy	单机调速架组件	1	
1-1	IC200-J01-1	Control assy	机组调速架组件	1	
2	IC200-J02	Governor arm	调速臂	1	
3	IC200-J03	Square head screw M6×21	方头螺栓 M6 × 21	1	
4	IC200-J04	Nut, M6	法兰螺母 M6	1	
5	IC200-J05	Governor spring	调速弹簧	1	
6	IC200-J06	Governor rod	调速拉杆	1	
7	IC200-J07	Throttle return spring	微调弹簧	1	
8	IC200-J08	Flange bolt M6*12	法兰螺栓 M6*12	2	

ENGINE- HAND PLATE IC200-K

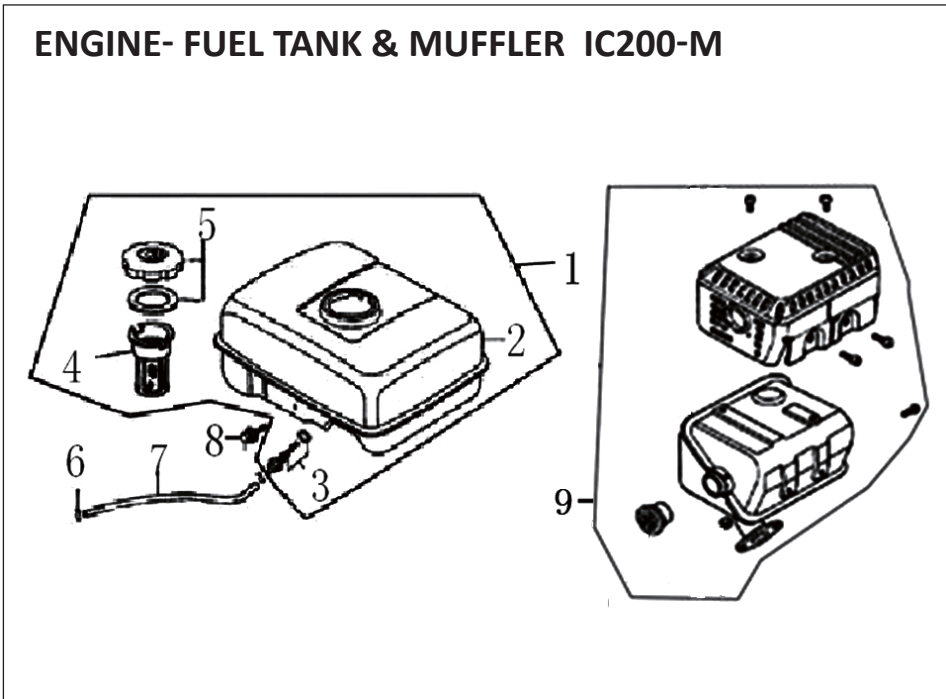


POS	REF	DESCRIPTION	配件	QTY	Remark
1	IC200-K01	Recoil starter assy	启动器总成	1	
2	IC200-K02	Recoil starter case comp	启动器外罩	1	
3	IC200-K03	Recoil starter reel	启动器卷轮	1	
4	IC200-K04	Starter ratchet	棘爪	2	
5	IC200-K05	Ratchet guide	棘爪导盘	1	
6	IC200-K06	Flange bolt M6*8	法兰螺栓	3	
7	IC200-K07	Recoil starter spring	启动回位簧	1	
8	IC200-K08	Return spring	摩擦弹簧	2	
9	IC200-K09	Recoil starter knob	启动器拉手	1	
10	IC200-K10	Recoil starter rope	启动器拉绳	1	
11	IC200-K11	Setting screw	轴位螺钉	1	



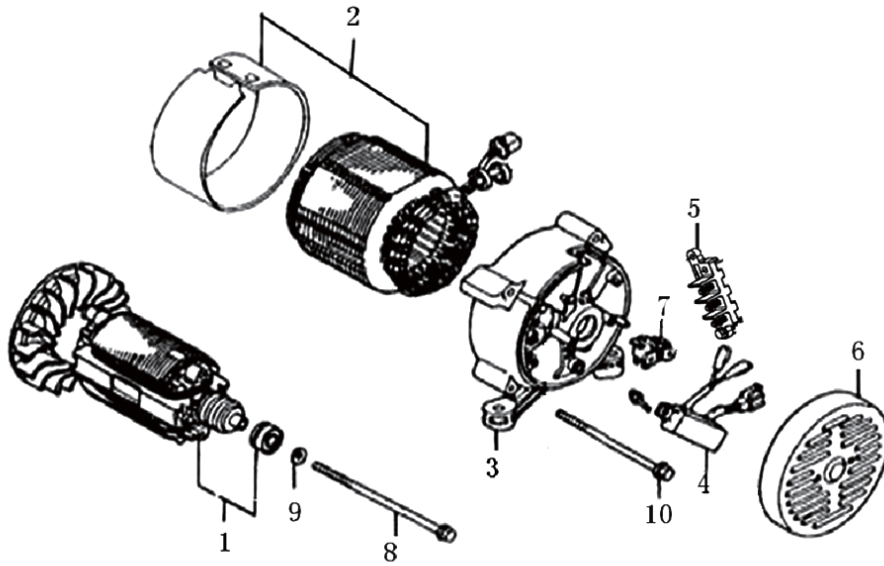
POS	REF	DESCRIPTION	配件	QTY	Remark
1	IC200-L01	Starting motor	启动电机总成	1	
2	IC200-L02	Flange bolt M6×35	法兰螺栓M6 × 35	1	
3	IC200-L03	Flange bolt M6×25	法兰螺栓M6 × 25	1	
4	IC200-L04	Flange bolt M5×12	法兰螺栓M5 × 12	2	
5	IC200-L05	Start relay	起动继电器	1	

ENGINE- FUEL TANK & MUFFLER IC200-M

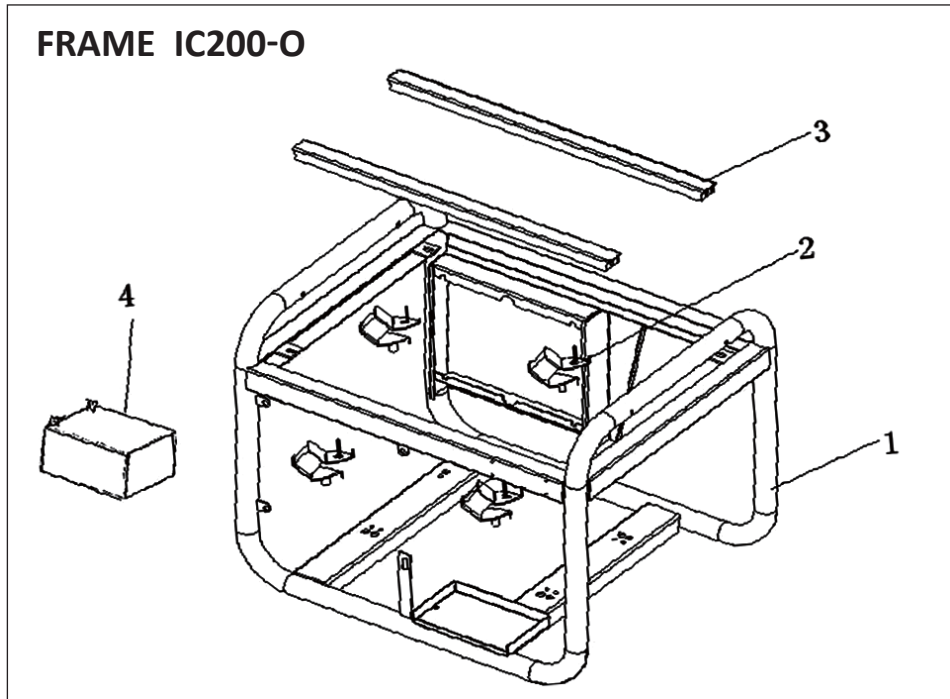


POS	REF	DESCRIPTION	配件	QTY	Remark
1	IC200-M01	Fuel Tank ASSY	油箱总成	1	
2	IC200-M02	Tank fuel	油箱体	1	
3	IC200-M03	Joint, fuel tank	出油嘴	1	
4	IC200-M04	Filter, fuel	滤网	1	
5	IC200-M05	Fuel filler cap	油箱盖	1	
6	IC200-M06	Clip, tube	油管夹	2	
7	IC200-M07	Tube, fuel $\phi 4 \times \phi 8 \times 150$	油管 $\phi 4 \times \phi 8 \times 150$	1	
8	IC200-M08	Flange bolt M6 \times 25	法兰螺栓 M6 \times 25	1	
9	IC200-M09	Muffler ASSY	消声器总成	1	

ALTERNATOR IC200-N

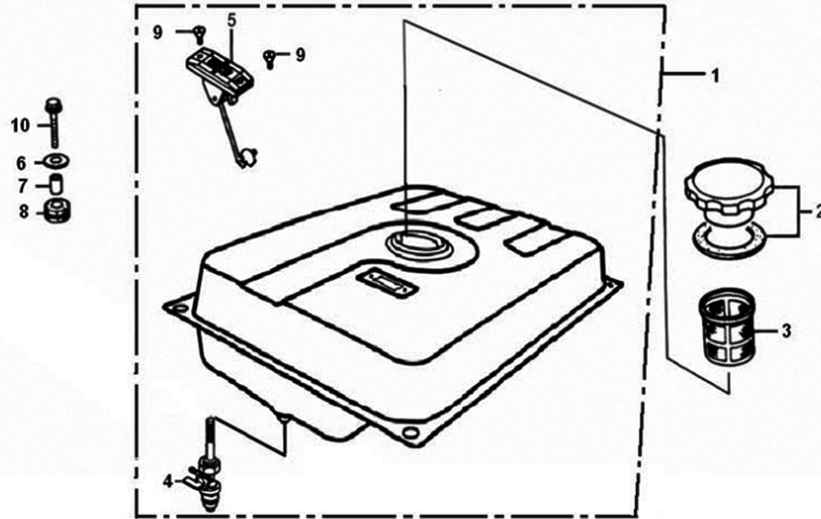


POS	REF	DESCRIPTION	配件	QTY	Remark
1	IC200-N01	2KW Rotor	汽油机2KW转子	1	
1-1	IC200-N01-1	2.5KW Rotor	汽油机2.5KW转子	1	
2	IC200-N02	2KW Stator	汽油机2KW定子	1	
2-1	IC200-N02-1	2.5KW Stator	汽油机3KW定子	1	
3	IC200-N03	2-2.5KW Rear cover	2-2.5KW后端盖	1	
4	IC200-N04	2-2.5KW AVR (1-phase)	2-2.5KW AVR (单相)	1	
5	IC200-N05	Terminal plate (1-phase)	单相接线板	1	
6	IC200-N06	2-2.5KW End cover	2-2.5KW风罩	1	
7	IC200-N07	2-2.5KW Brush kit	2-2.5KW碳刷	1	
8	IC200-N08	Bolt M8×1×180	螺栓M8 × 1 × 180	1	
8-1	IC200-N08-1	Bolt M8×1×205	螺栓M8 × 1 × 205	1	
9	IC200-N09	Washer M8	垫圈M8	1	
10	IC200-N10	Bolt M6×130	螺栓M6 × 130	4	
10-1	IC200-N10-1	Bolt M6×155	螺栓M6 × 155	4	

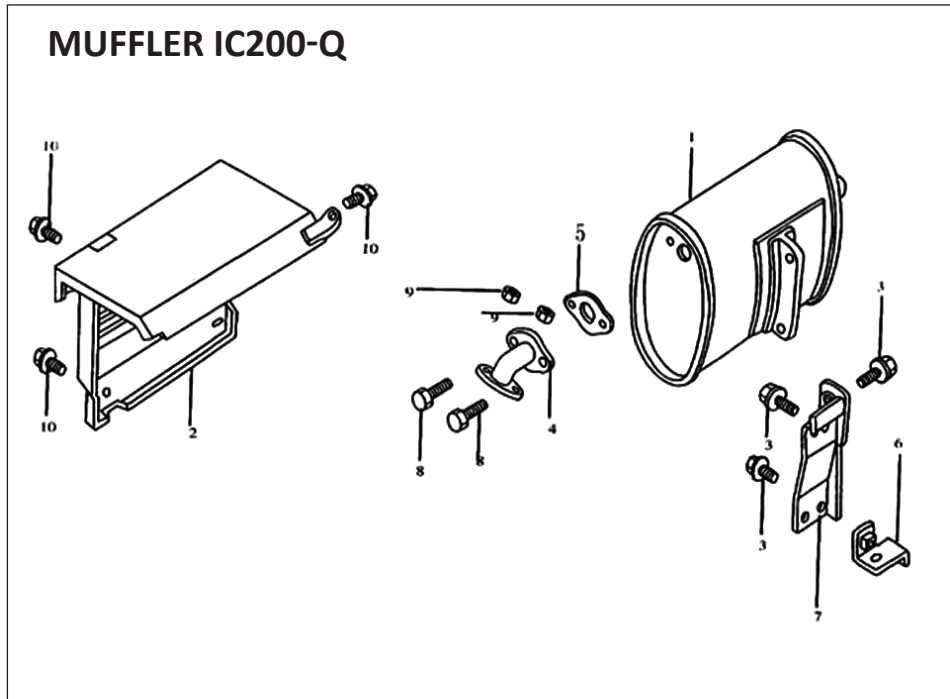


POS	REF	DESCRIPTION	配件	QTY	Remark
1	IC200-O01	2/2.5KVA(L) Frame	2/2.5KVA手起动机架总成	1	
1-1	IC200-O01-1	2/2.5KVA(LE) Frame	2/2.5KVA电启动机架总成	1	
2	IC200-O02	Absorber-2kw open type	2KW减震垫	4	
3	IC200-O03	2/2.5KVA Upper support	2/2.5KVA横梁	2	
4	IC200-O04	14Ah Battery	14AH电瓶	1	

FUEL TANK IC200-P

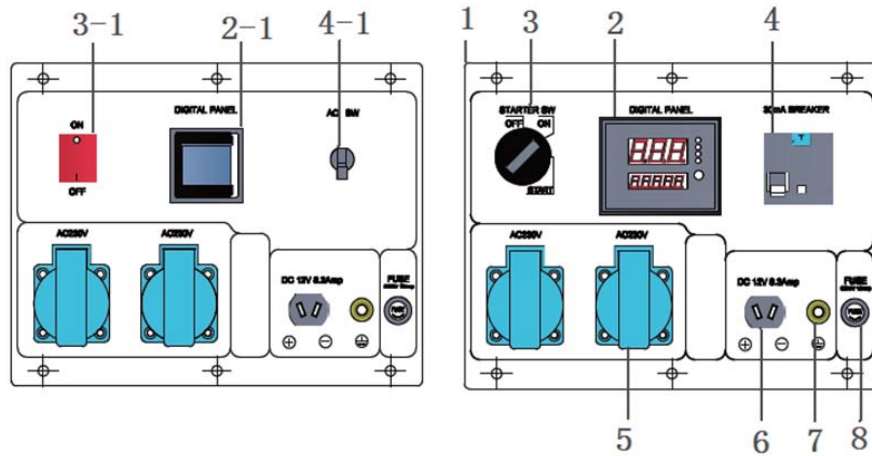


POS	REF	DESCRIPTION	配件	QTY	Remark
1	IC200-P01	2.5KW Fuel tank	2.5KW汽油机油箱	1	
2	IC200-P02	Fuel tank cap	油箱盖	1	
3	IC200-P03	Fuel filter cup	燃油滤网	1	
4	IC200-P04	Fuel cock (outer thread)	油开关(外螺纹)	1	
5	IC200-P05	Fuel level indicator	油标部件	1	
6	IC200-P06	Flat washer $\phi 6 \times \phi 25 \times 2$	平垫 $\phi 6 \times \phi 25 \times 2$	4	
7	IC200-P07	Tank absorber bush	油箱衬套	4	
8	IC200-P08	Tank absorber	油箱减震垫	4	
9	IC200-P09	Screws M5x12	十字槽沉头螺钉M5 x 12	2	
10	IC200-P10	Flange bolt M6x25	法兰螺栓M6 x 25	4	



POS	REF	DESCRIPTION	配件	QTY	Remark
1	IC200-Q01	Muffler	2KW消声器	1	
2	IC200-Q02	Muffler cover	2KW消声器外罩	1	
3	IC200-Q03	Bolt M8*14	螺栓M8*14	3	
4	IC200-Q04	Muffler pipe	2KW消声器弯管	1	
5	IC200-Q05	Muffler gasket	2KW消声器密封垫	1	
6	IC200-Q06	Muffler connector 1	2KW消声器连接块	1	
7	IC200-Q07	Muffler connector 2	2KW消声器固定块	1	
8	IC200-Q08	Flange bolt M8*16	螺栓M8*16	2	
9	IC200-Q09	Nut M8	螺母 M8	2	
10	IC200-Q10	Flange bolt M6*12	螺栓 M6*12	5	

CONTROL PANEL IC200-R



POS	REF	DESCRIPTION	配件	QTY	Remark
1	IC200-R01	Panel plate	面板	1	
2	IC200-R02	LED5 display	LED5数显表	1	
2-1	IC200-R02-1	LED3 display	LED3数显表	1	
2-2	IC200-R02-2	Voltage meter	电压表	1	
3	IC200-R03	Start lock	电门锁	1	
3-1	IC200-R03-1		船型开关	1	
4	IC200-R04	Leakage breaker 1P+N	1P+N漏电开关	1	
4-1	IC200-R04-1	Black breaker 1P	1P黑色过载开关	1	
4-2	IC200-R04-2	Black breaker 2P	2P黑色过载开关	1	
5	IC200-R05	Europe socket 16A	德插16A	1	
5-1	IC200-R05-1	Black Australia socket 15A	黑色澳插15A	1	
5-2	IC200-R05-2	Black Argentina socket 15A	阿根廷插15A	1	
5-3	IC200-R05-3	IP67 Australia socket 15A	防水澳插15A	1	
6	IC200-R06	V type 12V/DC connector	12V V型插座	1	
6-1	IC200-R06-1	T-type 12V/DC connector	12V T型插座	1	
6-2	IC200-R06-2	V type 12V/DC terminals(Both of red and black)	12V接线柱红黑	1	
7	IC200-R07	Grounding nut	接地螺母	1	
8	IC200-R08	Fuse kit	保险丝座	1	
9	IC200-R09	Rectifier 12V	整流桥12V	1	
10	IC200-R10	Hours timer	计时器	1	
11	IC200-R11	Button switch	钮子开关	1	

