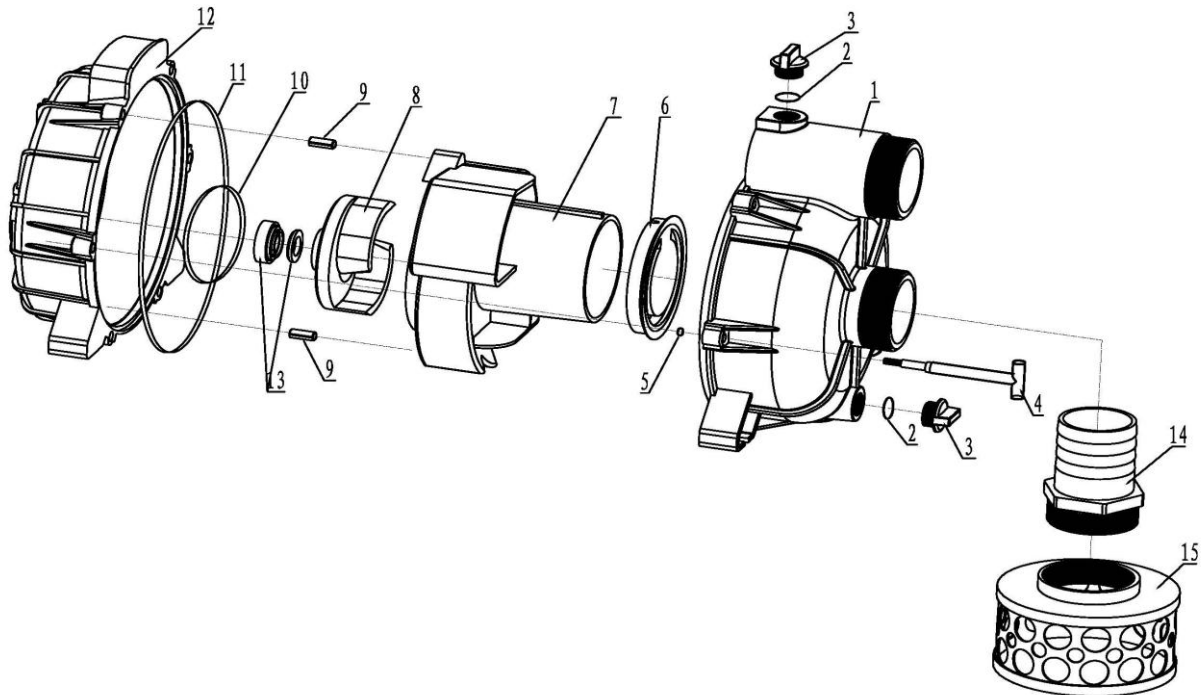


Pump



HYUNDAI HYT 80



Pos	Code	Part	Pos	Code	Part
1	HY80-1	Starter comp, recoil	64	HY80-64	Spring, throttle return
2	HY80-2	Engine switch	65	HY80-65	Rod, governor
3	HY80-3	Fan, cover comp	66	HY80-66	Nut, M6
4	HY80-4	Shroud comp	67	HY80-67	Case comp, air cleaner
5	HY80-5	Flange nut M14	68	HY80-68	Separator, air cleaner
6	HY80-6	Pulley, starter	69	HY80-69	Element, air cleaner
7	HY80-7	Fan, cooling	70	HY80-70	Cover, air cleaner
8	HY80-8	Flywheel comp	71	HY80-71	Nut, M6
9	HY80-9	Plate, side	72	HY80-72	Clip, tube
10	HY80-10	Diode	73	HY80-73	Tube, fuel
11	HY80-11	Flange bolt M6×12	74	HY80-74	Rubber, supporter
12	HY80-12	Coil assy. ignition	75	HY80-75	Flange bolt M6×25
13	HY80-13	Flange bolt M6×25	76	HY80-76	Joint, fuel tank
14	HY80-14	Bolt, drain lug	77	HY80-77	Tank fuel
15	HY80-15	Washer, drain lug	78	HY80-78	Fuel filler cap
16	HY80-16	Oil seal, 25×41.25×6	79	HY80-79	Filter, fuel
17	HY80-17	Crank case assy.	80	HY80-80	Screw, tapping M5×8
18	HY80-18	Carburetor assy.	81	HY80-81	Protector, muffler
19	HY80-19	Packing, carburetor	82	HY80-82	Muffler
20	HY80-20	Insulator, carburetor	83	HY80-83	Arrester, spark
21	HY80-21	Packing, insulator	84	HY80-84	Nut, M8
22	HY80-22	Lever comp, choke	85	HY80-85	Casket EX. Pipe
23	HY80-23	Packing air cleaner	86	HY80-86	Crankshaft comp
24	HY80-24	Bolt head, 6×112	87	HY80-87	Flange bolt M6×8
25	HY80-25	Head comp, cylinder	88	HY80-88	Drum wheel
26	HY80-26	Pin, dowel, 10×16	89	HY80-89	Muffler ASSY
27	HY80-27	Casket, cylinder head	90	HY80-90	Air cleaner ASSY
28	HY80-28	Plug, spark	91	HY80-91	Cover, Crankcase
29	HY80-29	Bolt head, M8×32	92	HY80-92	Square head screw
30	HY80-30	Flange bolt M8×60	93	HY80-93	Carburetor ASSY
31	HY80-31	Exhaust piper	94	HY80-94	Fuel Tank ASSY
32	HY80-32	Cover comp, head	Pump		
33	HY80-33	Breather	Pos	Code	Part
34	HY80-34	Arm, valve rocker assy.	1	HYT80-1	Pump cover
35	HY80-35	Plate, push rod guide	2	HYT80-2	18x2.65 O- ring
36	HY80-36	Rod, push	3	HYT80-3	Whorl Plug
37	HY80-37	Lifter, valve	4	HYT80-4	T type screw
38	HY80-38	Camshaft assy.	5	HYT80-5	5x2.65 O-ring
39	HY80-39	Valve, EX.	6	HYT80-6	Check valve
40	HY80-40	Valve, IN.	7	HYT80-7	Diffuser
41	HY80-41	Seat, valve spring	8	HYT80-8	Impeller
42	HY80-42	Spring, valve	9	HYT80-9	Springiness column pin
43	HY80-43	Retainer, EX. Valve spring	10	HYT80-10	125x2.65 O-ring
44	HY80-44	Retainer, IN. Valve spring	11	HYT80-11	260x5 O-ring
45	HY80-45	Rotator, valve	12	HYT80-12	Pump cover
46	HY80-46	Connecting rod assy.	13	HYT80-13	Mechanical seal
47	HY80-47	Clip, piston pin	14	HYT80-14	Hexangular Hose joint
48	HY80-48	Pin, piston	15	HYT80-15	Strainer
49	HY80-49	Piston			
50	HY80-50	Ping set, piston			
51	HY80-51	Cap, oil hole			
52	HY80-52	Flange bolt M8×32			
53	HY80-53	Cover assy. crankcase			
54	HY80-54	Pin, dowel, 8×14			
55	HY80-55	Cap assy. oil filler			
56	HY80-56	Packing, case cover			
57	HY80-57	Governor assy.			
58	HY80-58	Shaft, governor assy.			
59	HY80-59	Radial ball bearing (6025)			
60	HY80-60	Switch assy. oil level			
61	HY80-61	Control assy.			
62	HY80-62	Spring, governor			
63	HY80-63	Arm, governor			