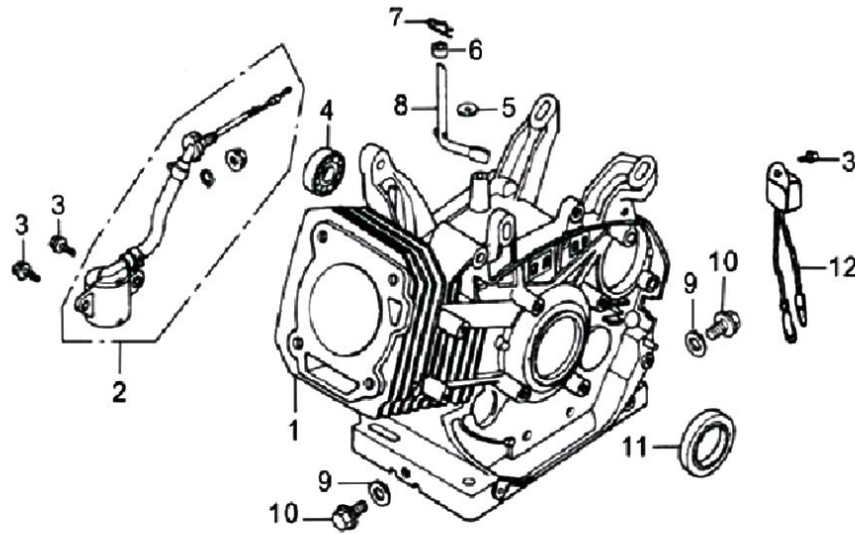


Exploded parts list

GASOLINE GENERATOR

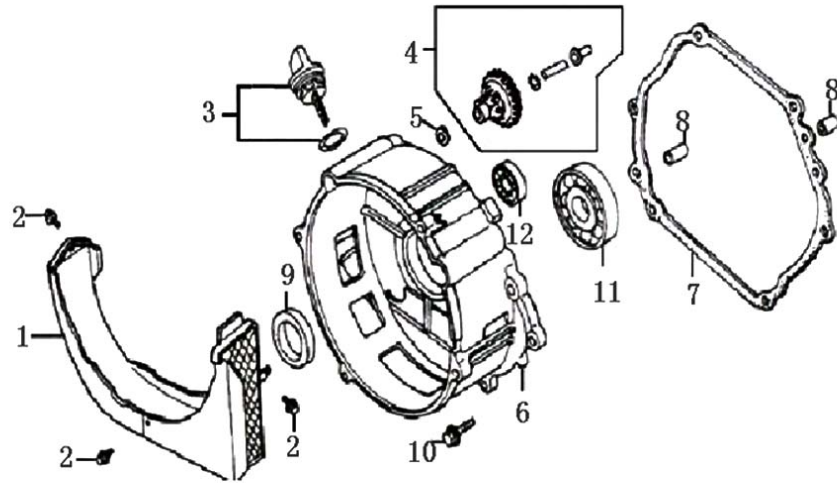
IC425 Engine - HY9000L/LE/LE-3

ENGINE- CRANKCASE IC425-A



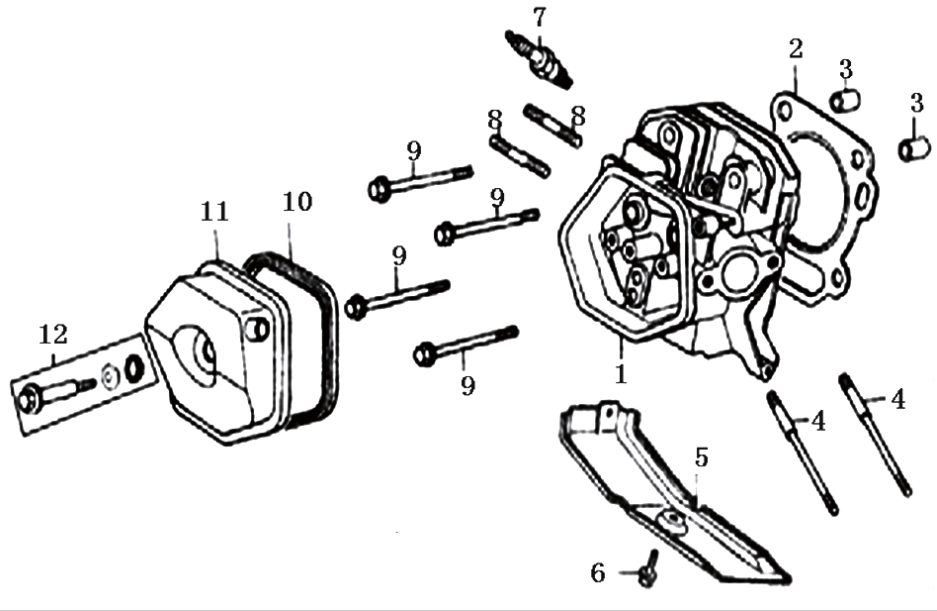
POS	REF	DESCRIPTION	配件	QTY	Remark
1	IC425-A01	Crankcase 190F	曲轴箱体190F	1	
1-1	IC425-A01-1	Crankcase 190FD	曲轴箱体190FD电启动	1	
2	IC425-A02	Oil lever switch assy	机油传感器188F190F通用	1	
3	IC425-A03	Flange boltM6×12	法兰螺栓M6 × 12	3	
4	IC425-A04	Radial ball bearing 6202	轴承6202	1	
5	IC425-A05	Spacer, Governer arm shaft	垫圈 φ 8 × φ 16 × 1.2	1	
6	IC425-A06	Oil seal 8×14×4	油封8 × 14 × 4	1	
7	IC425-A07	lock pin	摆杆锁夹	1	
8	IC425-A08	Governor arm shaft	调速摆杆	1	
9	IC425-A09	Drain oil bolt washer	放油螺栓垫片12 × 20 × 2	2	
10	IC425-A10	Drain oil bolt M12×1.5×15	放油螺栓M12 × 1.5 × 15	2	
11	IC425-A11	Oil seal φ35×φ52×8	油封 φ 35 × φ 52 × 8	1	
12	IC425-A12	Diode	单向导通器	1	

ENGINE- CRANKCASE COVER IC425-B



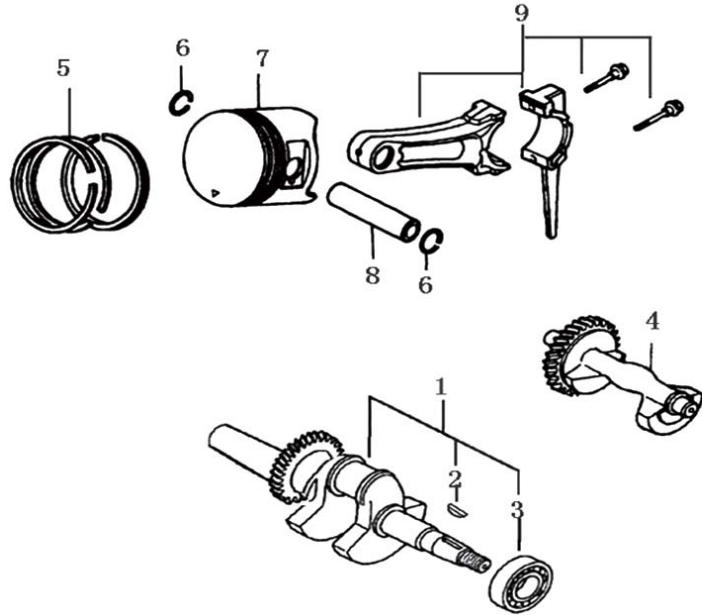
POS	REF	DESCRIPTION	配件	QTY	Remark
1	IC425-B01	Cover dust	电机风罩	1	
2	IC425-B02	Flange bolt M5*8	法兰螺栓M5*8	3	
3	IC425-B03	Oil filter cap	机油尺组件	1	
4	IC425-B04	Governor assy	调速齿轮部件	1	
5	IC425-B05	Washer plainφ6*φ12*1.5	平垫 φ6* φ12*1.5	1	
6	IC425-B06	Crankcase cover assy	曲轴箱盖	1	
7	IC425-B07	Crankcase cover packing	曲轴箱密封垫	1	
8	IC425-B08	Dowel pinφ8*14	定位销 φ8*14	2	
9	IC425-B09	Oil seal35×52×7	油封35×52×7	1	
10	IC425-B10	Flange bolt M8*40	法兰螺栓M8*40	7	
11	IC425-B11	Radial ball bearing 6207	轴承 6207	1	
12	IC425-B12	Radial ball bearing 6202	轴承 6202	1	

ENGINE- CYLINDER HEAD IC425-C



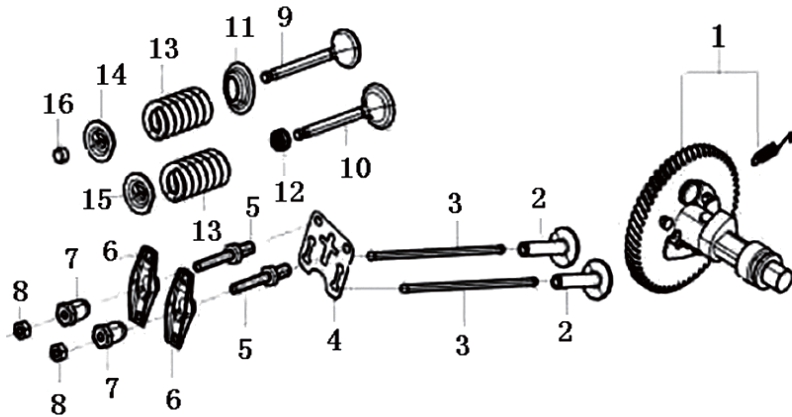
POS	REF	DESCRIPTION	配件	QTY	Remark
1	IC425-C01	Cylinder head comp190F	气缸头总成190F	1	
2	IC425-C02	Cylinder head gasket190F	气缸头密封垫190F	1	
3	IC425-C03	Dowel pinφ12*20	定位销 φ 12*20	2	
4	IC425-C04	Stud bolt M6-8*135	进气门双头螺栓M6-8*135	2	
4-1	IC425-C04-1	Stud bolt M6-8*110	进气门双头螺栓M6-8*110	2	
5	IC425-C05	Air-leading cover	气缸头导风罩	1	
6	IC425-C06	Flange bolt M6*12	法兰螺栓M6*12	1	
7	IC425-C07	Spark plug	火花塞	1	
8	IC425-C08	Stud bolt AM8*45	单机双头螺栓AM8*45	2	
8-1	IC425-C08-1	Stud bolt AM8*35	机组双头螺栓AM8*35	2	
9	IC425-C09	Stud bolt M10*80	气缸头螺栓M10*80	4	
10	IC425-C10	Head cover packing	气缸盖密封垫	1	
11	IC425-C11	Cylinder cover comp	气缸盖组件	1	
12	IC425-C12	Non standard bolt M6*61	非标组合螺栓M6*61	1	

ENGINE - CRANKSHAFT, CONNECTING ROD IC425-D



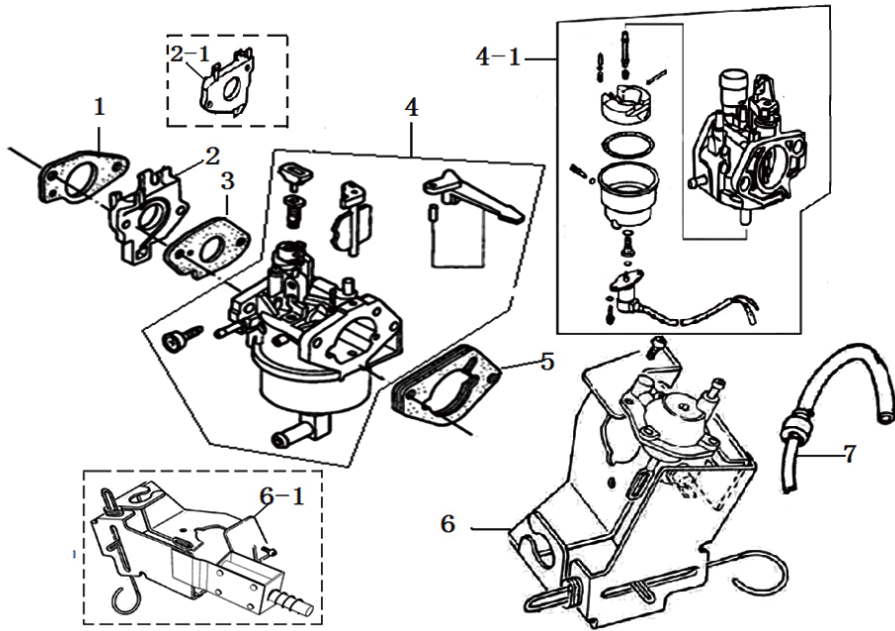
POS	REF	DESCRIPTION	配件	QTY	Remark
1	IC425-D01	Crankshaft comp 190F-V	曲轴190F-V	1	
2	IC425-D02	Half-circle key	半圆键	1	
3	IC425-D03	Bearing 6207	轴承6207	1	
4	IC425-D04	Balancer shaft	平衡轴	1	
5	IC425-D05	Ring comp190F	活塞环组件190F	1	
6	IC425-D06	Piston pin clip	活塞销挡圈	2	
7	IC425-D07	Piston190F	活塞190F	1	
8	IC425-D08	Piston pin190F	活塞销190F	1	
9	IC425-D09	Connecting rod assy 190F	连杆190F	1	

**ENGINE- IC425 VALVE, ROCKER ARM,
CAMSHAFT ASSY IC425-E**



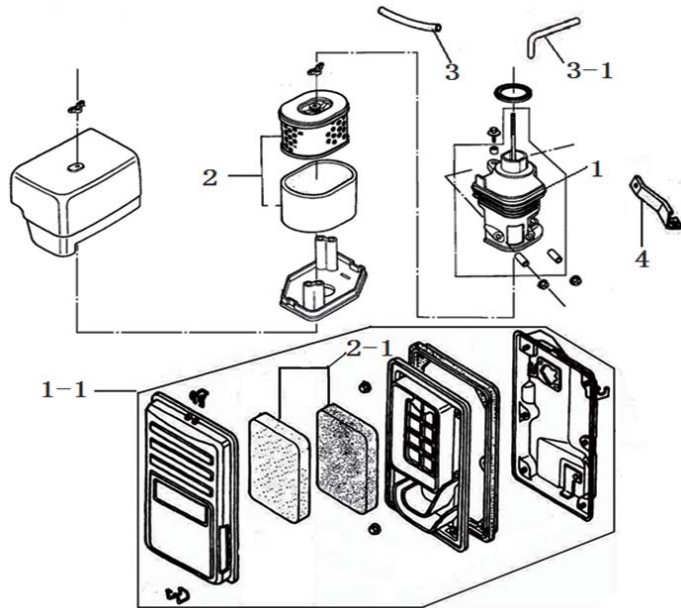
POS	REF	DESCRIPTION	配件	QTY	Remark
1	IC425-E01	Camshaft assy190F	凸轮轴190F	1	
2	IC425-E02	Valve lifter	挺柱	2	
3	IC425-E03	Push rod	推杆	2	
4	IC425-E04	Push rod guid, plate	推杆导架组合	1	
5	IC425-E05	Adjusting bolt, valve	气门摇臂双头螺栓	2	
6	IC425-E06	Valve rocker arm	摇臂	2	
7	IC425-E07	Adjusting bolt, valve clearance	气门调节螺母	2	
8	IC425-E08	Solider bolt, valve	气门锁紧螺母	2	
9	IC425-E09	Exhaust valve190F	排气门190F	1	
10	IC425-E10	Intake valve190F	进气门190F	1	
11	IC425-E11	Retainer (downside) Exhaust Valve spring	排气门弹簧调整座	1	
12	IC425-E12	Seat, valve spring	挡油罩	1	
13	IC425-E13	Valve spring	气门弹簧	2	
14	IC425-E14	Exhaust valve spring retainer	排气门弹簧座	1	
15	IC425-E15	Intake valve spring retainer	进气门弹簧座	1	
16	IC425-E16	Valve rotator	排气门弹簧垫块	1	

ENGINE- CARBURETOR ASSY IC425-F



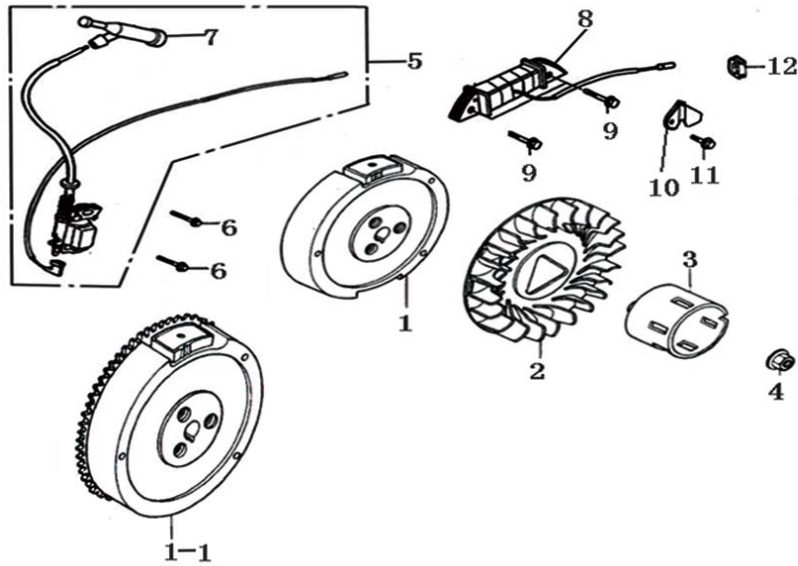
POS	REF	DESCRIPTION	配件	QTY	Remark
1	IC425-F01	Packing, insulator	进气口密封垫	1	
2	IC425-F02	Insulator, carburetor	单机化油器隔热板	1	
2-1	IC425-F02-1	Insulator, carburetor	机组化油器隔热板	1	
3	IC425-F03	Packing, carburetor	化油器密封垫	1	
4	IC425-F04	Carburetor ASSY190F	单机型化油器总成190F	1	
4-1	IC425-F04-1	Carburetor ASSY190F	机组型化油器总成190F	1	
5	IC425-F05	Packing air cleaner	空滤器密封垫	1	
6	IC425-F06	Resistance air damper control assembly	阻风门控制总成	1	
6-1	IC425-F06-1	Resistance air damper control assembly	自动阻风门控制总成	1	
7	IC425-F07	One-way valve components	单向阀组件	1	

ENGINE- AIR CLEANER ASSY IC425-G



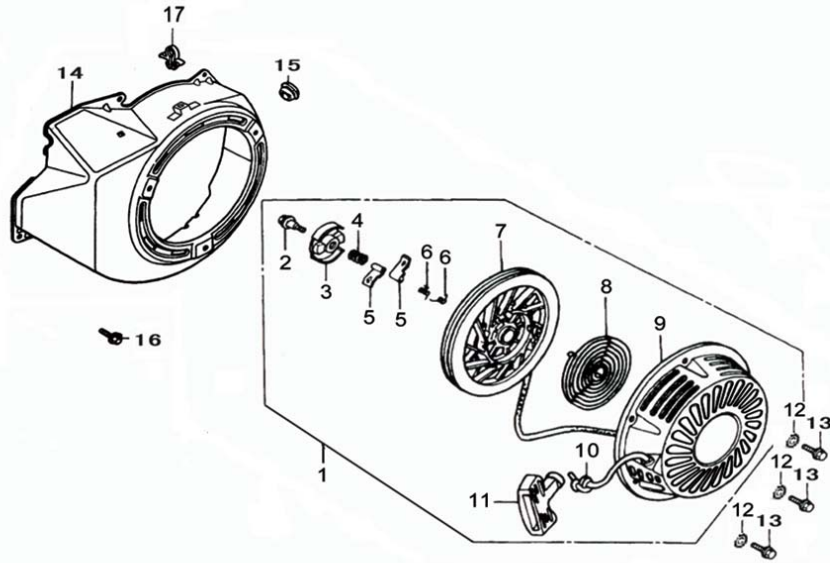
POS	REF	DESCRIPTION	配件	QTY	Remark
1	IC425-G01	Air cleaner ASSY	单机空气滤清器总成	1	
1-1	IC425-G01-1	Air cleaner ASSY	机组空气滤清器总成	1	
2	IC425-G02	Element, air cleaner	单机空滤器滤芯	1	
2-1	IC425-G02-1	Element, air cleaner	机组空滤器滤芯	1	
3	IC425-G03	Breather	单机通气管	1	
3-1	IC425-G03-1	Breather	机组通气管	1	
4	IC425-G04	Empty filter stents	机组空滤器支架	1	

ENGINE- IGNITION COIL , FLYWHEEL IC425-H



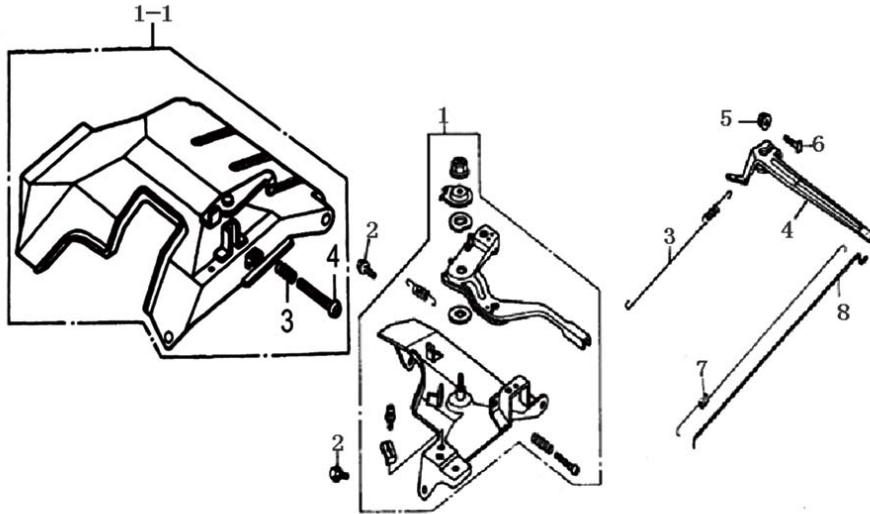
POS	REF	DESCRIPTION	配件	QTY	Remark
1	IC425-H01	Flywheel	手启动飞轮	1	
1-1	IC425-H01-1	Flywheel	电启动飞轮	1	
2	IC425-H02	Flywheel fan	飞轮风扇	1	
3	IC425-H03	Starting cup	启动杯	1	
4	IC425-H04	NutM16×1.5	螺母M16 × 1.5	1	
5	IC425-H05	Ignition coil assembly	点火线圈总成	1	
6	IC425-H06	Flange bolt M6×25	法兰螺栓M6 × 25	2	
7	IC425-H07	Spark plug cap	火花塞帽	1	
8	IC425-H08	Charging coil	充电线圈部件	1	
9	IC425-H09	Flange bolt M6×30	法兰螺栓M6 × 30	2	
10	IC425-H10	Linking piece	线束压板	1	
11	IC425-H11	Flange bolt M6×12	法兰螺栓M6 × 12	1	
12	IC425-H12	Positioning line card	定位线卡	1	

ENGINE- FAN COVER IC425-I



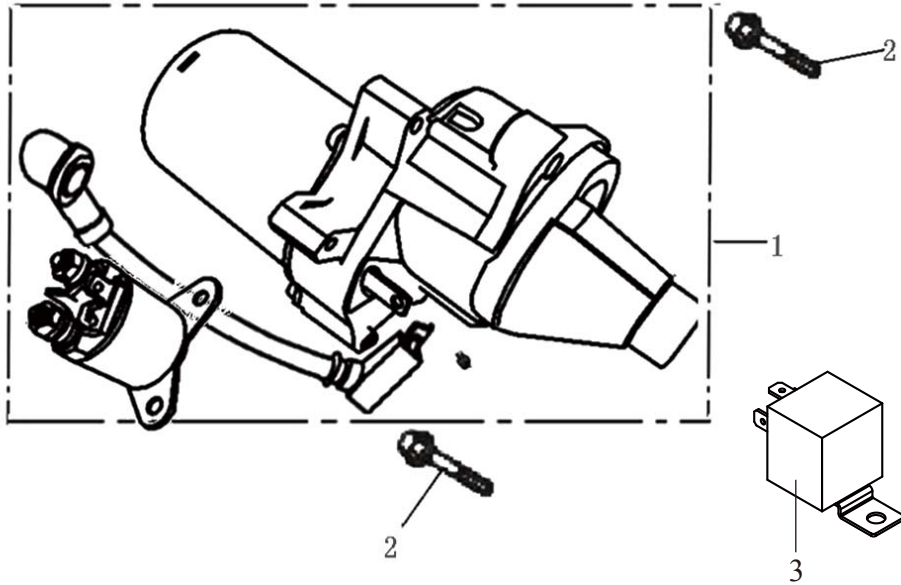
POS	REF	DESCRIPTION	配件	QTY	Remark
1	IC425-I01	Recoil starter assy	启动器总成	1	
2	IC425-I02	Setting screw	轴位螺钉	1	
3	IC425-I03	Ratchet guide	棘爪导盘	1	
4	IC425-I04	Compression spring	压簧	1	
5	IC425-I05	Starter ratchet	棘爪	2	
6	IC425-I06	Twist spring	扭簧	2	
7	IC425-I07	Recoil starter reel	启动器卷轮	1	
8	IC425-I08	Starting reposition spring	启动复位弹簧	1	
9	IC425-I09	Recoil starter case comp	启动器外罩	1	
10	IC425-I10	Recoil starter rope	启动器拉绳	1	
11	IC425-I11	Recoil starter knob	启动器拉手	1	
12	IC425-I12	Washer plainφ6	平垫 φ6	3	
13	IC425-I13	Flange bolt M6*8	法兰螺栓M6*8	3	
14	IC425-I14	Fan, cover comp	风扇罩	1	
15	IC425-I15	Rubber bulkhead	橡胶堵头	1	
16	IC425-I16	Flange bolt M6*12	法兰螺栓M6*12	5	
17	IC425-I17	Positioning line card	定位线卡	2	

ENGINE - SPEED GOVERNOR IC425-J



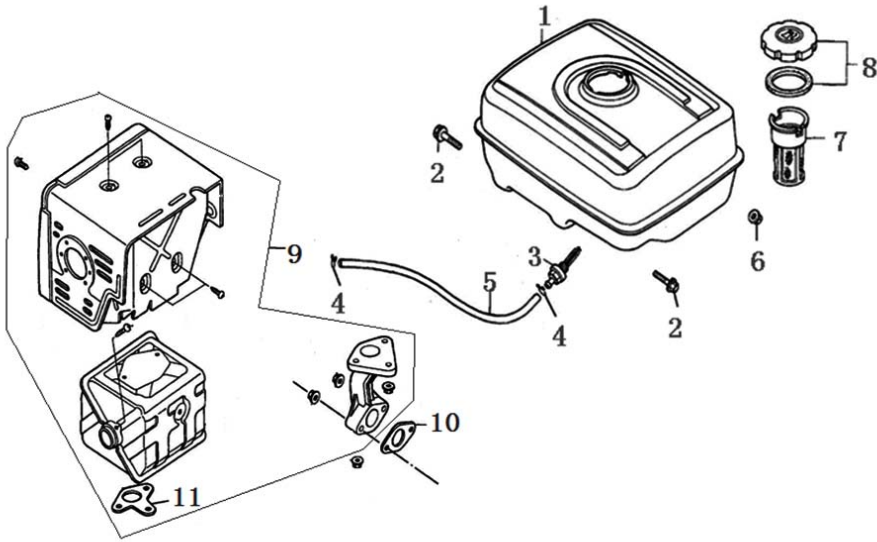
POS	REF	DESCRIPTION	配件	QTY	Remark
1	IC425-J01	Control assy	单机调速架组件	1	
1-1	IC425-J01-1	Control assy	机组调速架组件	1	
2	IC425-J02	Flange bolt M6*12	法兰螺栓M6*12	2	
3	IC425-J03	Governor spring 190F	调速弹簧190F39.75圈	1	
4	IC425-J04	Governor arm	调速臂	1	
5	IC425-J05	Nut, M6	法兰螺母M6	1	
6	IC425-J06	Square head screwM6×21	方头螺栓M6×21	1	
7	IC425-J07	Throttle return spring	微调弹簧	1	
8	IC425-J08	Governor rod	调速拉杆	1	

ENGINE- START MOTOR IC425-K



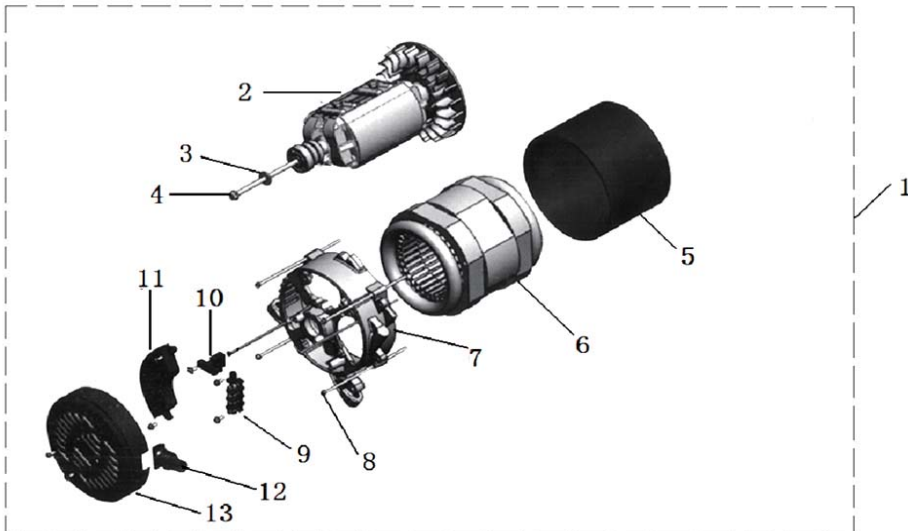
POS	REF	DESCRIPTION	配件	QTY	Remark
1	IC425-K01	Starting motor	启动电机总成 188FD	1	
2	IC425-K02	Flange bolt M8×40	法兰螺栓M8 × 40	2	
3	IC425-K03	Start relay	起动继电器	1	

ENGINE- FUEL TANK & MUFFLE IC425-L



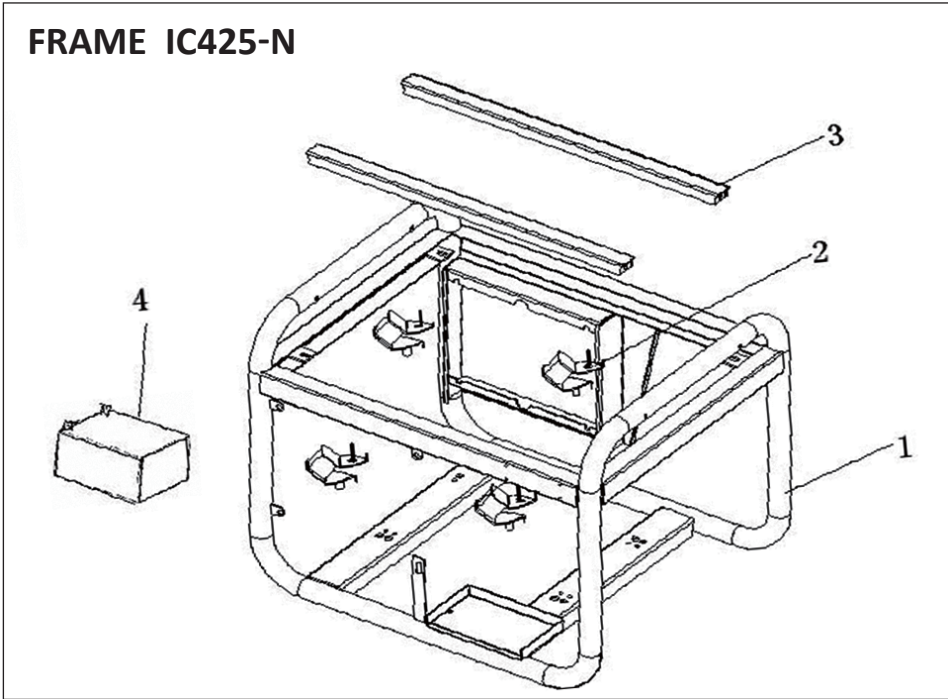
POS	REF	DESCRIPTION	配件	QTY	Remark
1	IC425-L01	Fuel Tank	油箱	1	
2	IC425-L02	Flange bolt M8×25	法兰螺栓M8×25	2	
3	IC425-L03	Joint, fuel tank	出油嘴	1	
4	IC425-L04	Clip, tube	油管夹	2	
5	IC425-L05	Tube, fuel φ4×φ8×250	油管 φ4×φ8×250	1	
6	IC425-L06	Nut, M8	法兰螺母M8	2	
7	IC425-L07	Filter, fuel	滤网	1	
8	IC425-L08	Fuel filler cap	油箱盖	1	
9	IC425-L09	Muffler ASSY	消声器总成	1	
10	IC425-L10	Pad, Exhaust	排气口密封垫	1	
11	IC425-L11	Gasket, Muffler	消声器密封垫	1	

ALTERNATOR IC425-M



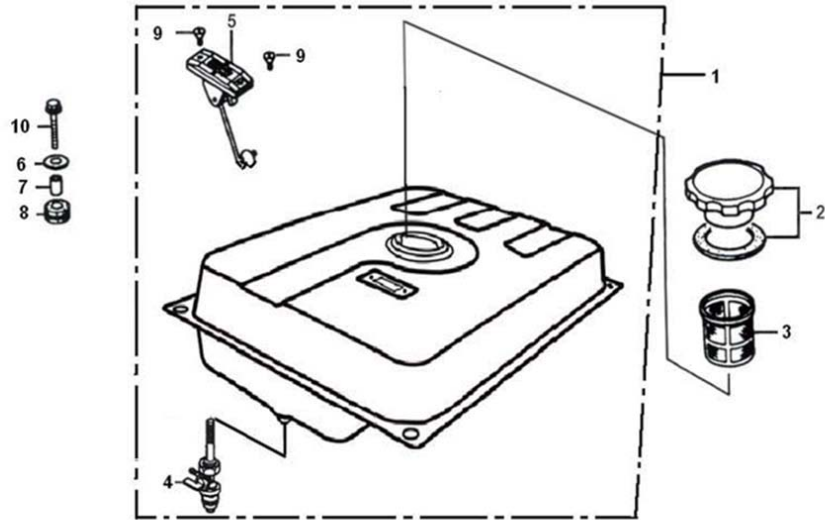
POS	REF	DESCRIPTION	配件	QTY	Remark
1	IC425-M01	6KVA Alternator ASSY(LE)	6KVA单相开架电机总成	1	
1-1	IC425-M01-1	6KVA Alternator ASSY(LE-3)	6KVA三相开架电机总成	1	
2	IC425-M02	6KVA Rotor(LE/)	6KVA单相电机转子	1	
2-1	IC425-M02-1	6KVA Rotor(LE-3)	6KVA三相电机转子	1	
3	IC425-M03	Flat washer Φ10	Φ10平垫	1	
4	IC425-M04	6KVA Axis bolt	6KVA中心轴螺栓	1	
5	IC425-M05	6KVA Stator cover	6KVA定子护圈	1	
6	IC425-M06	6KVA Stator(LE)	6KVA单相电机定子	1	
6-1	IC425-M06-1	6KVA Stator(LE-3)	6KVA三相电机定子	1	
7	IC425-M07	Real round cover	5KVA电机后端盖	1	
8	IC425-M08	6KVA Frange bolt M6×185	6KVA法兰螺栓 M6 × 185	4	
9	IC425-M09	Terminal plate(LE)	单相接线排	1	
9-1	IC425-M09-1	Terminal plate(LE-3)	三相接线排	1	
10	IC425-M10	Brush kit	5KVA碳刷	1	
11	IC425-M11	AVR(LE/SE)	单相AVR	1	
11-1	IC425-M11-1	AVR(LE-3/SE-3)	三相AVR	1	
12	IC425-M12	Rubber cable cover	电机出线护套	1	
13	IC425-M13	Real end cover	电机进风罩	1	

FRAME IC425-N



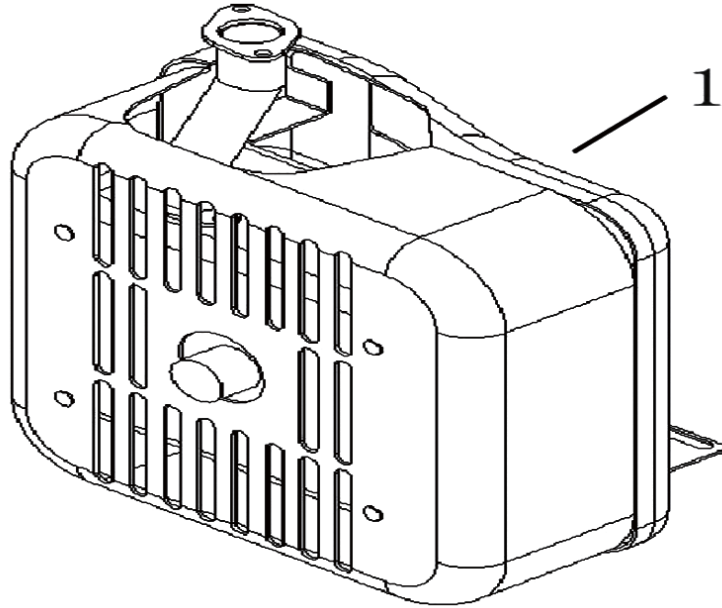
POS	REF	DESCRIPTION	配件	QTY	Remark
1	IC425-N01	5KVA (L)Frame	5KVA手起动机架总成	1	
1-1	IC425-N01-1	5KVA (LE) Frame	5KVA电起动机架总成	1	
2	IC425-N02	Absorber-5kw open type	5KW减震垫	4	
3	IC425-N03	5KVA Upper support	5KVA横梁	2	
4	IC425-N04	14Ah Battery	14AH电瓶	1	

FUEL TANK IC425-O

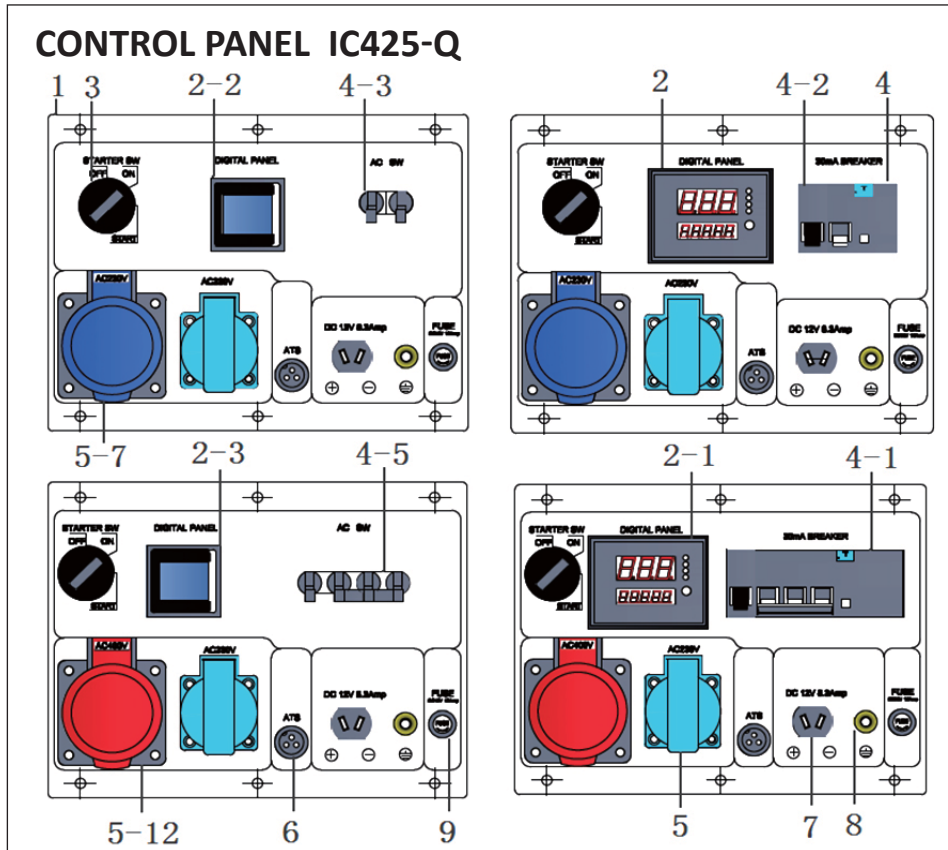


POS	REF	DESCRIPTION	配件	QTY	Remark
1	IC425-O01	5KW Fuel tank	5KW汽油机油箱	1	
2	IC425-O02	Fuel tank cap	油箱盖	1	
3	IC425-O03	Fuel filter cup	燃油滤网	1	
4	IC425-O04	Fuel cock (outer thread)	油开关(外螺纹)	1	
5	IC425-O05	Fuel level indicator	油标部件	1	
6	IC425-O06	Flat washer $\phi 6 \times \phi 25 \times 2$	平垫 $\phi 6 \times \phi 25 \times 2$	4	
7	IC425-O07	Tank absorber bush	油箱衬套	4	
8	IC425-O08	Tank absorber	油箱减震垫	4	
9	IC425-O09	Screws M5x12	十字槽沉头螺钉M5 x 12	2	
10	IC425-O10	Flange bolt M6x25	法兰螺栓M6 x 25	4	

MUFFLER IC425-P



POS	REF	DESCRIPTION	配件	QTY	Remark
1	IC425-P01	6KVA Muffler	6KVA消声器	1	



POS	REF	DESCRIPTION	配件	QTY	Remark
1	IC425-Q01	Panel plate	面板	1	
2	IC425-Q02	LED5 display(LE/SE)	LED5数显表	1	
2-1	IC425-Q02-1	LED5 display(LE-3/SE-3)	LED5数显表	1	
2-2	IC425-Q02-2	LED3 display(LE/SE)	LED3数显表	1	
2-3	IC425-Q02-3	LED3 display(LE-3/SE-3)	LED3数显表	1	
2-4	IC425-Q02-4	Voltage meter(LE/SE)	电压表	1	
2-5	IC425-Q02-5	Voltage meter(LE-3/SE-3)	电压表	1	
3	IC425-Q03	Start lock	电门锁	1	
3-1	IC425-Q03-1		船型开关	1	
4	IC425-Q04	Leakage breaker 1P+N	1P+N漏电开关	1	
4-1	IC425-Q04-1	Leakage breaker 3P+N	3P+N漏电开关	1	
4-2	IC425-Q04-2	Breaker 1P	1P空开	1	
4-3	IC425-Q04-3	Black breaker 1P	1P黑色过载开关	1	
4-4	IC425-Q04-4	Black breaker 2P	2P黑色过载开关	1	
4-5	IC425-Q04-5	Black breaker 3P	3P黑色过载开关	1	
5	IC425-Q05	Europe socket 16A	德插16A	1	
5-1	IC425-Q05-1	Black Australia socket 15A	黑色澳插15A	1	
5-2	IC425-Q05-2	Black Argentina socket 15A	阿根廷插15A	1	
5-3	IC425-Q05-3	IP67 Australia socket 15A	防水澳插15A	1	
5-4	IC425-Q05-4	110-130V Europe yellow socket 16A	110-130V黄色欧插16A	1	
5-5	IC425-Q05-5	110-130V Europe yellow socket 32A	110-130V黄色欧插32A	1	
5-6	IC425-Q05-6	220-250V Europe blue socket 16A	220-250V蓝色欧插16A	1	
5-7	IC425-Q05-7	220-250V Europe blue socket 32A	220-250V蓝色欧插32A	1	
5-8	IC425-Q05-8	American three pins socket 20A	三孔美式防松插20A	1	
5-9	IC425-Q05-9	American double socket 20A	双小美插20A	1	
5-10	IC425-Q05-10	American four holes socket 30A	四孔美式防松插30A	1	
5-11	IC425-Q05-11	Industrial four holes socket 3-phase 32A	三相四孔工业插32A	1	
5-12	IC425-Q05-12	Industrial five holes socket 3-phase 16A	三相五孔工业插16A	1	
5-13	IC425-Q05-13	IP67 Australia socket 3pahse 20A	三相防水澳式插座20A	1	
6	IC425-Q06	ATS socket	ATS插座(母头)	1	
7	IC425-Q07	V type 12V/DC connector	12V V型插座	1	
7-1	IC425-Q07-1	T-type 12V/DC connector	12V T型插座	1	
7-2	IC425-Q07-2	V type 12V/DC terminals(Both of red and black)	12V接线柱红黑	1	
8	IC425-Q08	Grounding nut	接地螺母	1	
9	IC425-Q09	Fuse kit	保险丝座	1	
10	IC425-Q10	ATS moudle	ATS模块	1	
10-1	IC425-Q10-1	Remote control moudle	遥控模块	1	
10-2	IC425-Q10-2	ATS+remode control moudle	遥控+ATS模块	1	
11	IC425-Q11	Rectifier 12V	整流桥12V	1	
12	IC425-Q12		二极管10A	1	
13	IC425-Q13	Relay 40A	转换继电器 40A	1	
14	IC425-Q14	Hours timer	计时器	1	
15	IC425-Q15	Button switch	钮子开关	1	

