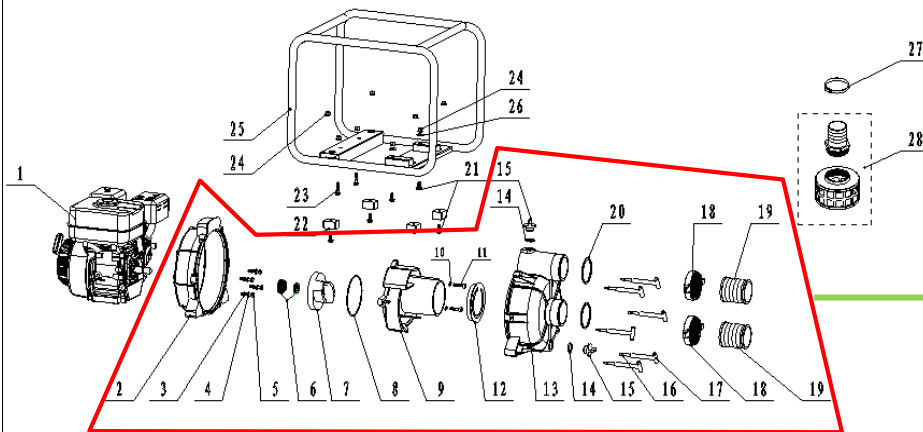


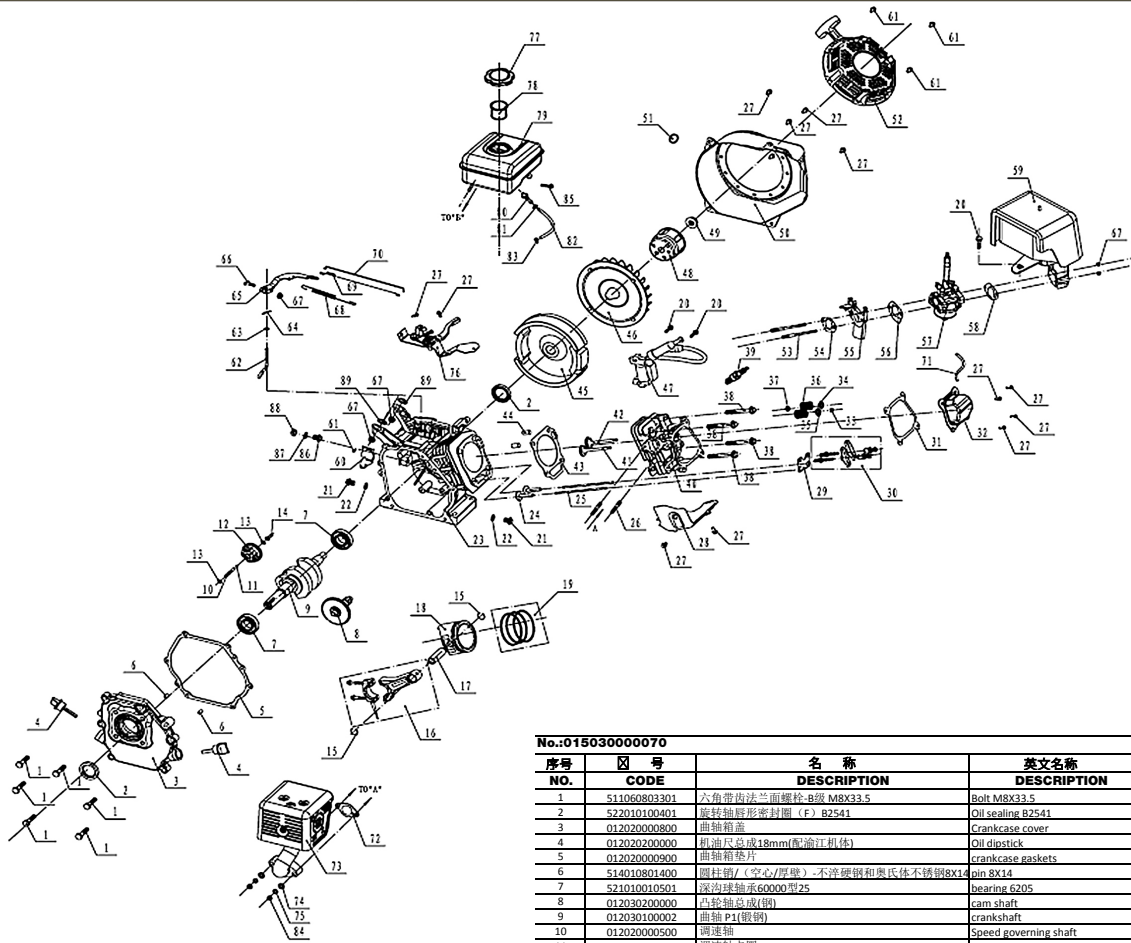
**GTP80903:PARTY MARKETING GASOLINE PUMP**



039090100000 3寸污水泵泵体总成 GTP80/BSP螺纹 Pump Assy

NO.:03211000019

序号 No.	图号 CODE	名称 DESCRIPTION	英文名称 DESCRIPTION	数量 QTY.	备注 REMARK
1	015030000070	UP170水泵动力	UP170 gasoline engine	1	
2	039090100102	泵盖	Pump cover	1	old-039090100100. new-039090100102
3	513010800099	橡胶垫圈	rubber washer	4	
4	039090100200	铝垫圈8	Washerφ15*φ8*2	4	
5	511010804003	六角头螺栓C级M8X40	Bolt M8*40	4	
6	039090100300	机械密封圈	Seal	1	
7	039090100500	叶轮	Wster pump impeller	1	
8	039090100400	泵盖O形密封圈	O ring φ265*φ5.3	1	
9	039090100601	导流器	Volute casing	1	old-039090100600. new-039090100601
10	513020800000	标准型弹簧垫圈8	washer φ8	2	10.09.14
11	511190803001	不锈钢内六角螺栓M8*30	Stainless steel bolts M8*30	2	10.09.14
12	039090100700	导流器O形密封圈	Check valve	1	
13	039090100800	泵体	Horsing of pump	1	
14	039090101000	螺塞O形密封圈	O ring φ25.8*φ3.55	2	
15	039090101100	螺塞	Plug packing	2	
16	039090101500	T型螺栓O形密封圈	O ring	6	
17	039090101600	T型螺栓	T type bolt	6	
18	039090101400	联接套(铝)NPS3"-8螺纹	joint grip	2	10.09.14
19	039030102100	接管(塑料)	pipe joint	2	
20	039090101200	密封环	rubber washer	2	
21	511050802001	六角法兰面螺栓-B级 M8X20	Flange bolt M8X20	6	
22	029910100100	方形减震垫	shock absorber	4	
23	511060803401	六角带齿法兰面螺栓-B级M8X34	Flange bolt M8*34	2	
24	512040800001	带齿六角法兰面螺母M8	Flange nut M8	8	
25	032110100001	3汽油污水泵机架总成(黑)	Frame	1	
26	513040800000	大垫圈-C级8	washer φ8	2	
27	039090101700	紧固圈	Rear housing	3	
28	039090101800	滤网总成	Filter net	1	



No.:01503000070

序号 NO.	图号 CODE	名称 DESCRIPTION	英文名称 DESCRIPTION	数量 QTY.	备注 REMARK
1	51106080301	六角带法兰面螺栓-B级 M8X33.5	Bolt MRX33.5	6	
2	522010100401	旋转轴唇形密封圈 (F) B2541	Oil sealing B2541	2	
3	01202000800	曲轴箱盖	Crankcase cover	1	
4	01202020000	曲轴箱盖总成18mm(配渝江机体)	Oil dipstick	1	
5	01202000900	曲轴箱垫片	crankcase gaskets	2	
6	514010801400	圆柱销(空心/镀锌) 淬硬钢和奥氏体不锈钢8x14	pin 8X14	2	
7	521010010501	深沟球轴承60000型25	bearing 6205	2	
8	012030200000	凸轮轴总成(钢)	cam shaft	1	
9	012030100002	曲轴 P1(钢)	crankshaft	1	
10	012020000500	调速轴	Speed governing shaft	1	
11	012020000600	调速轴卡圈	Snap ring	1	
12	012020100000	调速从动齿轮总成	Speed governing gear	1	
13	019990000600	调速摆杆垫片	Speed swinging rod washer	2	
14	012020000700	调速器推盘	Speed governing push dish	1	
15	518041800000	孔用钢丝挡圈18	Piston pin circlip	2	
16	012020500000	连杆总成	Connect rod assy	1	
17	012020002600	活塞销	Piston pin	1	
18	012030400000	活塞	Piston	1	
19	012030400000	活塞环组	Piston ring set	1	
20	511050602201	六角法兰面螺栓-B级 M6X22	Bolt M6X22	3	
21	019990000300	放油螺塞M10*15	Oil drain bolt M10*15	2	
22	019990000400	放油螺塞垫片	Oil drain bolt gaskets	2	
23	012030000104	曲轴箱 ROHS	crankcase	1	10.09.14
24	012030000300	气门挺柱	valve tappet	2	
25	012020002200	气门推杆	valve lifter	2	
26	516040803401	等长双头螺栓-B级 M8X34	studs M8X34	2	
27	511050601201	六角法兰面螺栓-B级M6x12	Bolt M6X12	12	
28	012020002300	下导风罩	Lead wind cover	1	
29	012021700000	推杆导板总成	Push guide assy	1	
30	012020300000	气门摇臂总成	Valve rocker assy	2	
31	012020001100	气缸盖罩密封圈	cylinder head cover gasket	1	
32	012020001000	气缸盖罩总成 (印: UP168-1PV)	cylinder head cover	1	
33	012020001300	排气门顶帽	Cap	1	
34	012020001500	进气门弹簧座	Intake spring seat	1	
35	012020001400	排气门弹簧座	Exhaust spring seat	1	
36	012020001600	气门弹簧	valve spring	2	
37	012020002400	进气门导管油封	Oil seal pipe	1	
38	511050806006	六角法兰面螺栓-B级M8X60	Bolt M8X60	4	
39	012020003300	火花塞F6TC	spark plug	1	
40	012030001400	气缸盖	cylinder head	1	
41	012030000600	排气门	outlet valve	1	
42	012030000700	进气门	inlet valve	1	
43	012030000502	气缸盖密封垫片	cylinder head gaskets	1	
44	514011001600	圆柱销-淬硬钢和奥氏体不锈钢10X16	pin10X16	2	
45	012020800000	飞轮组件	Flywheel	1	
46	012020002700	飞轮风扇	Flywheel fan	1	
47	012020003200	一体化点火器(印: 168)	ignition coil	1	
48	012020008300	启动套(带螺母型手拉盘)	Starting flange	1	
49	012020002900	飞轮螺母M14x1.5	Nut M14x1.5	1	
50	012020006841	导风罩(占台)RAL1023黄色	Wind hood	1	
51	019990001100	点火开关	Rubber jans	1	
52	012021500042	手拉盘总成(静音型)RAL1023黄色	Recoil starter	1	
53	516050611201	双头螺栓A型 M6X112	studs M6X112	2	
54	012020003800	进气口垫片	Inlet gasket	1	
55	012020003900	化油器接块	carburetor Cushion block	1	
56	012020004000	化油器垫片	carburetor gasket	1	
57	012030300001	化油器总成(单机) ROHS	carburetor	1	10.09.14
58	012020004100	空滤垫片	Air cleaner gasket	1	
59	012021000004	空气滤清器总成(半干式) (印: KL168-01)	Air cleaner	1	
60	012020003100	导风罩(无点焊)(无油压保护)	Shroud comp.	1	
61	511050600807	六角法兰面螺栓-B级 M6*8 (小头)	Bolt M6x8	4	
62	012020000200	调速摆杆	Speed swinging rod	1	
63	513010600002	垫圈 636	washer	1	
64	019990000700	调速摆杆锁头	Speed swinging rod lock clamps	1	
65	012020004600	调速臂	Speed governing arm	1	
66	012020004500	调速臂紧固螺栓 (27mm)	Lock bolt	1	
67	512040600001	带齿六角法兰面螺母M6	Nut M6	5	
68	012020004202	调速弹簧 (3600转)	Speed governing spring	1	
69	012020004300	节气门复位弹簧(3600转)	throttle reset spring	1	
70	012020004400	调速拉杆	Speed governing pull rod	1	
71	019990000500	通气管(直)	Breathing tube	1	
72	029049910200	消声器垫片-2(2KW)	Muffler gasket	1	
73	012020003400	消声器(无支架)	Exhaust muffler assy	1	
74	513010800002	平垫圈-C级8	washer Ø8	2	
75	513020800002	标准型弹簧垫圈8	spring washer Ø8	2	
76	012021200001	调速控制组件(单机)	Speed governing assy	1	
77	019990001300	燃油箱盖总成(单机)(钢)	Fuel tank cap	1	
78	012020003600	滤油杯	Filter cup	1	
79	012020003741	燃油箱(RAL1023黄色)	Fuel tank	1	
80	019990001201	出油接头总成(钢)	Connector	1	
81	029019900401	Φ8管式油管卡箍	clamp Ø8	1	
82	029019900100	Φ4.5mm油管	Fuel pipe	0.17	
83	029019900408	Φ7管式油管卡箍	clamp Φ7	1	
84	512040800001	带齿六角法兰面螺母M8	Nut M8	2	
85	511050602803	六角法兰面螺栓-加大系列-B级M6X28	Bolt M6X28	1	
86	511141002003	六角头螺栓C级-全螺纹M10X20	Bolt M10X20	1	
87	523010100100	液压力气动O形橡胶密封圈12X1.9G	O-ring 12X1.9	1	
88	512011000000	六角螺母-C级M10	Nut M10	1	
89	029019901400	单机油箱减震垫	shock absorber	2	